



# RESIDENTIAL GEN 21 SERIES™ TOILET SEAT

MODEL #

COLOR #

**18170CHSL/NISL**

## DESCRIPTION:

Closed front with cover, elongated, high density™ molded wood toilet seat. Features two large, no-slip luxury bumpers, Chrome or Brushed Nickel Whisper•Close® with Easy•Clean & Change™ hinges with STA-TITE® Residential Fastening System™. Seat contains DuraGuard®\* an antimicrobial agent. This seat meets or exceeds Residential ANSI Standard Z-124.5.

## SPECIFICATIONS:

Size:	Elongated
Material:	High Density Molded Wood
Style:	Closed Front with Cover
Bumpers:	Two
Hinges:	Chrome or Brushed Nickel Whisper•Close® with Easy•Clean & Change™
Fastening System:	STA-TITE® Residential Fastening System™

## FEATURES:

Whisper•Close®

Easy•Clean & Change™

STA-TITE® Residential Fastening System™

DuraGuard® Antimicrobial

## DIMENSIONS:



METAL WHISPER•CLOSE®  
WITH EASY•CLEAN &  
CHANGE™ HINGES



WHISPER•CLOSE®  
FEATURE



TWIST HINGE TO UNLOCK



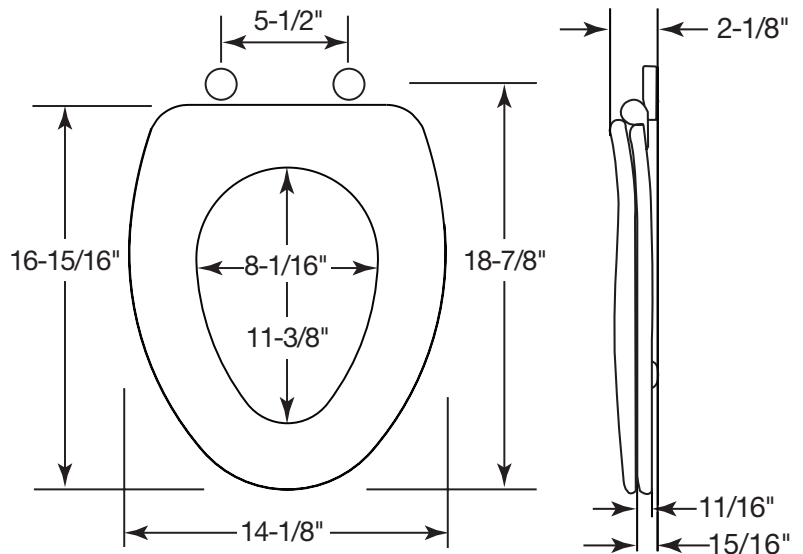
EASY REMOVAL OF SEAT  
FOR THOROUGH CLEANING



NO-SLIP LUXURY BUMPERS



STA-TITE® HARDWARE



Proudly Made in the USA

Church Seats., Sheboygan Falls, WI 53085  
www.ChurchSeats.com

Phone: 920-467-2664 | 800-233-7328 Fax: 920-467-8573