

**SPECIFICATIONS**

**WALL MOUNT TUB SPOUT WITH DIVERTER**

**Description**

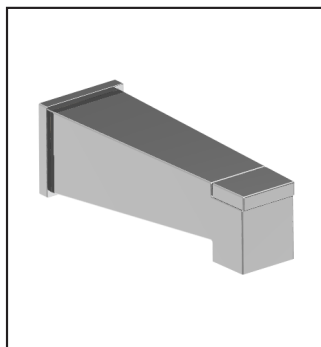
- Fits 1/2" copper or 1/2" IPS stub out nipple
- Diverter on spout

**Standards**

- ASME A112.18.1
- Listed IAPMO/UPC

**Warranty**

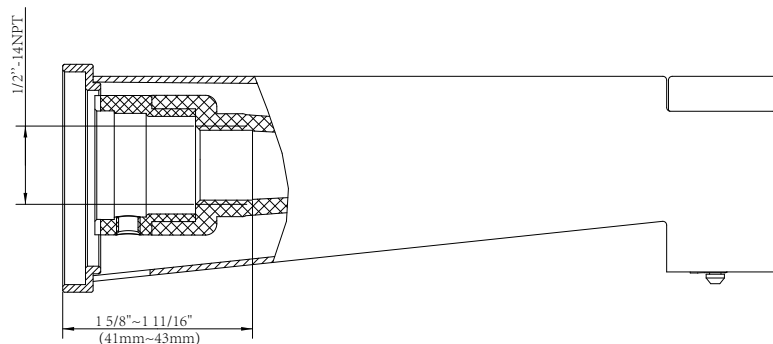
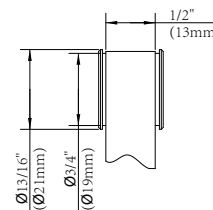
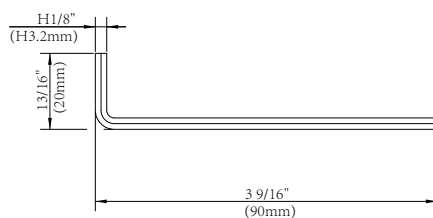
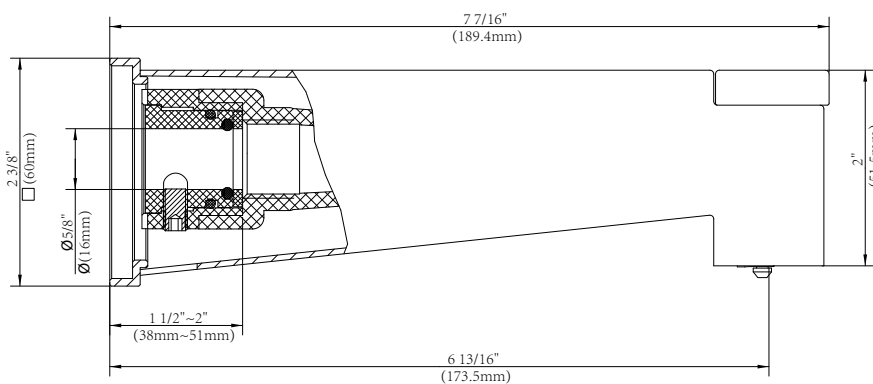
Danze products are covered by a manufacturer's limited "lifetime" warranty for manufacturing defects.



DA606445

**Available Colors & Finish**

- Chrome
- Brushed Nickel (BN)



Specific Features: \_\_\_\_\_ Submitted Model No.: \_\_\_\_\_