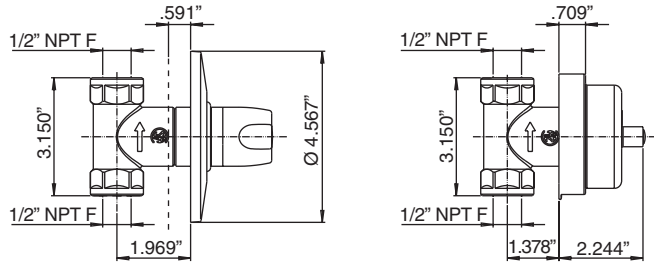


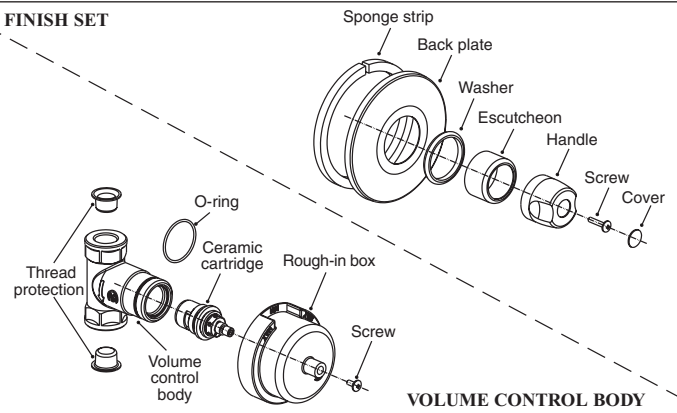
TECHNICAL DRAWING



Volume control

COMPONENTS

FINISH SET



Toll-free customer service: 877 215-4683

INSTALLATION

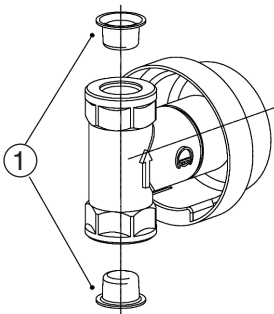


Fig.1

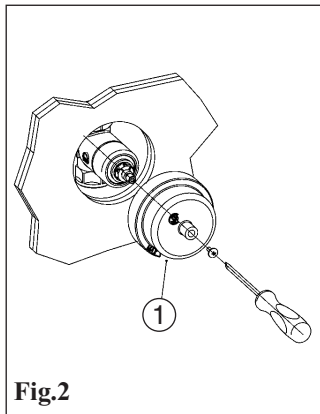


Fig.2

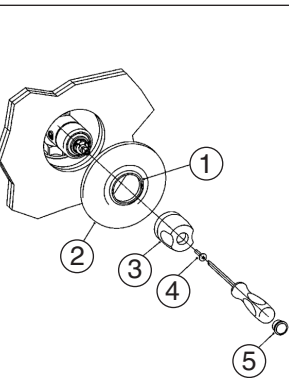


Fig.3

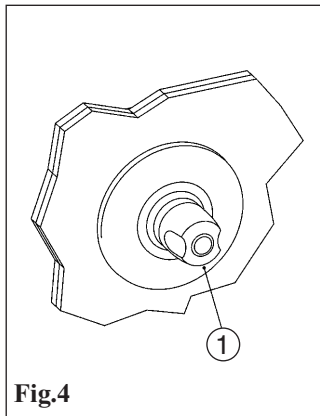


Fig.4

General condition of use

General condition of use

The volume control valve works correctly if the following points are satisfied:

- Working pressure rating: from 20 to 70 psi (suggested 45 psi) 1-5 bar (suggested 3bar)
- Hot water temperature: Max 180 °F (suggested 150 °F) 80°C (suggested 65°C)
- Cold water temperature: Min 45 °F (suggested 60 °F) 10°C (suggested 15°C)

Important

- Do not remove plaster guard from volume control until instructed to do so.
- For proper trim fit, the finished wall must align within the 0.709" front-to back, depth minimum =1.378"; maximum = 2.087".
- Carefully plan the installation before beginning.
- Carefully read the instructions. component location, spacing, and situational requirements can vary.
- Shut off the water supply.
- Inspect the waste and supply lines; replace if necessary.

Cleaning tips

While cleaning, the surface of the volume controle should be cold (warmth quickens the wearing out of the surface). Make sure that cleaning products do not contain acids or corrosive substances. The volume control should be wiped daily with a soft cloth, and rinsed with cold water. Avoid corrosives, abrasive sponges or any other similar products. Failure to do so could invalidate your finish warrantee

Installation

(Figure 1)

Remove black thread protection caps (1). Install the valve in the wall and connect it to the water supply system by using thread sealant on all threaded connections and following the water flow indicated by the arrow.

Wall installation (Figure 2)

Secure piping to framing. The built-in depth (included the coating) should be within the MIN/MAX tolerances recorded on the plastic protection. Install temporary shower headl. After completing all connections, flush out system under full pressure (it's recommended to extend this operation for some minutes in order to clear the pipes from debris and impurities). Remove temporary plastic guard (1) and inspect for leaks. If there are no leaks, reinstall it (1) again and complete finished wall.

External finish (Figure 3)

Slip washer (1) on wall flange (2). Slip the wall flange on the valve, placing in between sponge strip. Position the handle (3) as shown in figure, then tighten blocking screw (4) with a screwdriver. Apply cover (5).

Functioning (Figure 4)

The figure shows volume control assembled correctly. To turn on water supply turn the handle (1) 90° clockwise.