

SPECIFICATIONS

MELROSE™ TWO HANDLE CENTERSET LAVATORY FAUCET

Model

D301012 (Replaces D212111 series)

Description

- Ceramic disc valve
- 4 ½" high spout, 4 ½" spout length
- 50/50 pop-up drain assembly
- 3 hole mount

Standards



- NSF 61-9
- Energy Policy Act of 1992



- ASME A112.18.1M/A112.18.1
- NSF/ANSI 372
- CSA B125.1

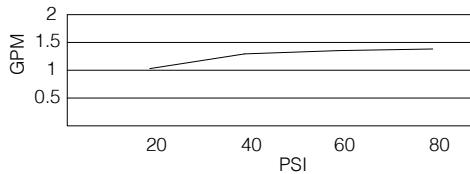


- ADA Accessibility Guidelines for Buildings and Facilities - 4.27.4 Controls and Mechanisms

Warranty

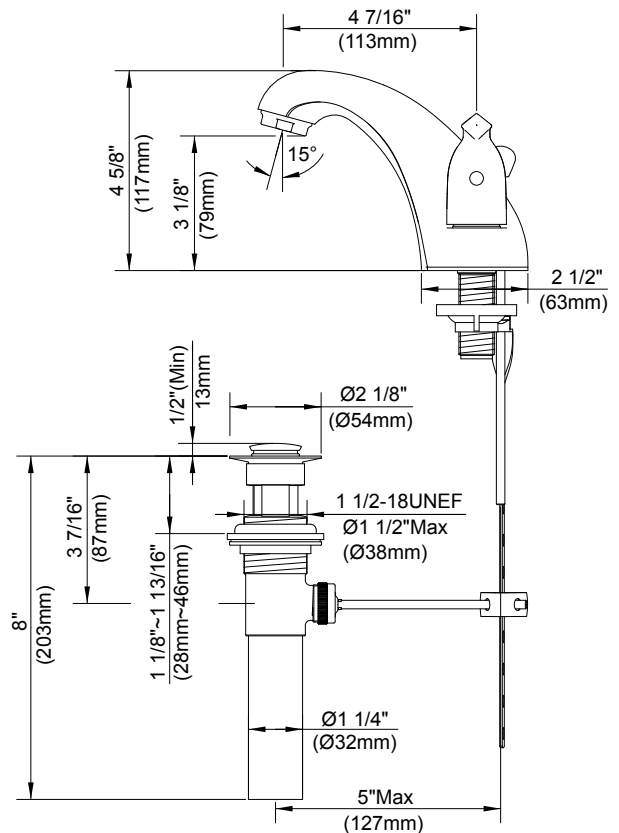
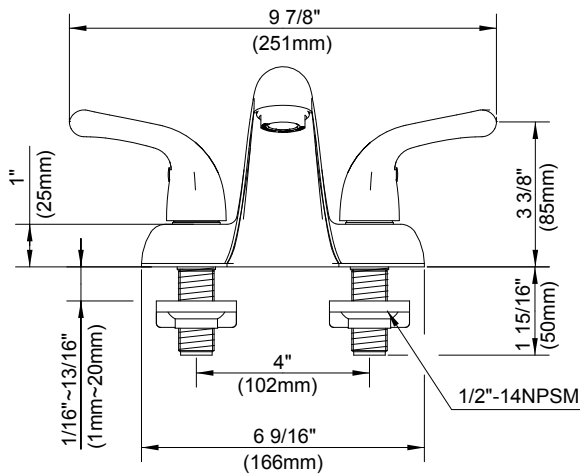
Danze products are covered by a manufacturer's limited "lifetime" warranty for manufacturing defects.

Flow Rate



Finishes Available

- Chrome
- Other: Refer to Price List for additional finish



Submittal Information:

Job Name: _____
 Contractor: _____

Location: _____
 Contact #: _____