


### ROMAN TUB TRIM KIT

#### Description

- 2 handle with solid brass spout
- Slip spout mounting

#### Standards

- ASME A112.18.1
- CSA B125
- Listed IAPMO/UPC
- ADA Accessibility Guidelines for Buildings and Facilities - 4.27.4 Controls and Mechanisms (lever handle only) 

#### Warranty

Danze products are covered by a manufacturer's limited "lifetime" warranty for manufacturing defects.



D304666T (shown)  
BRANDYWOOD™

**Trim Kits:** (for use w/ rough-in valves)  
D304666T (w/o Personal Shower)  
D304668T (w/o Personal Shower)

#### Available Colors & Finish

- Chrome
- Brushed Nickel (BN)

#### Handle Suffix:

- 66: cross handle

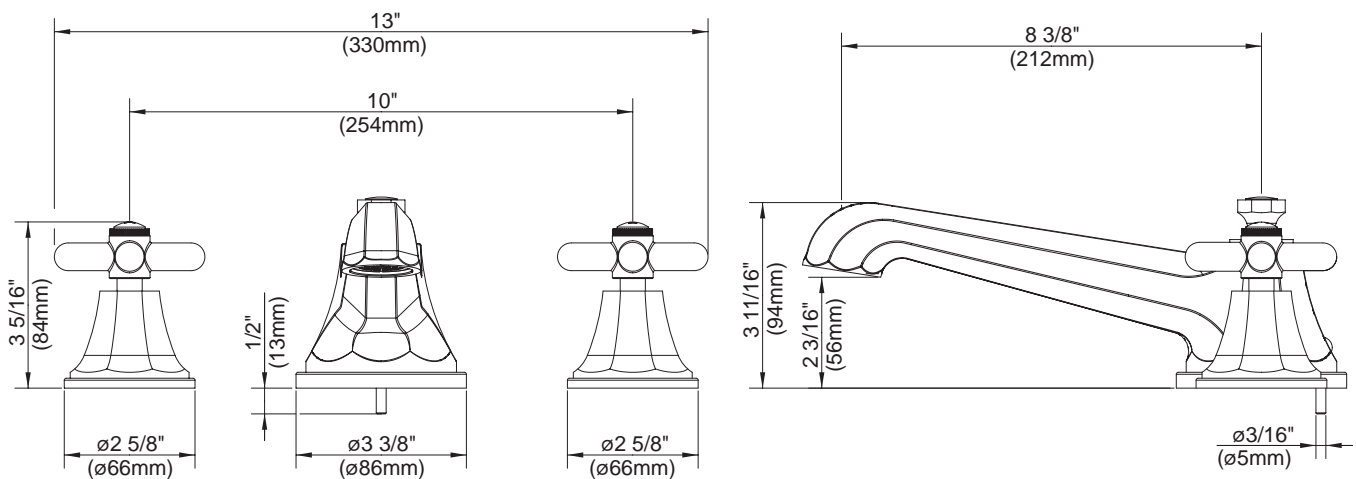


- 68: lever handle



#### Special Packaging

- Use with rough-in valve:  
D210000BT (10" CC fixed) OR  
D215000BT (widespread)
- Valves are combination 1/2" copper sweat, 1/2" NPT threaded connectors for all ports



Specific Features: \_\_\_\_\_ Submitted Model No.: \_\_\_\_\_

SD304666T/06-07.01