

SINGLE HANDLE BAR/CONVENIENCE SINK FAUCET


Description

- Two function pull down head
- Durable ceramic disc cartridge - drip-free guaranteed!
- Single hole mount

Flow & Valving

- See Chart

Standards

- ASME A112.18.1
- CSA B125
- NSF 61-9
- Listed IAPMO/UPC
- Energy policy act of 1992
- ADA Accessibility Guidelines for Buildings and Facilities - 4.27.4 Controls and Mechanisms 

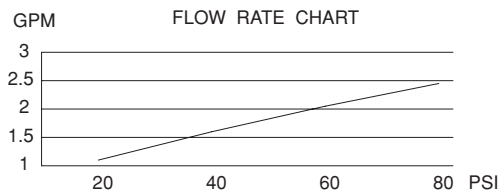


D455646
BELLEFLEUR™



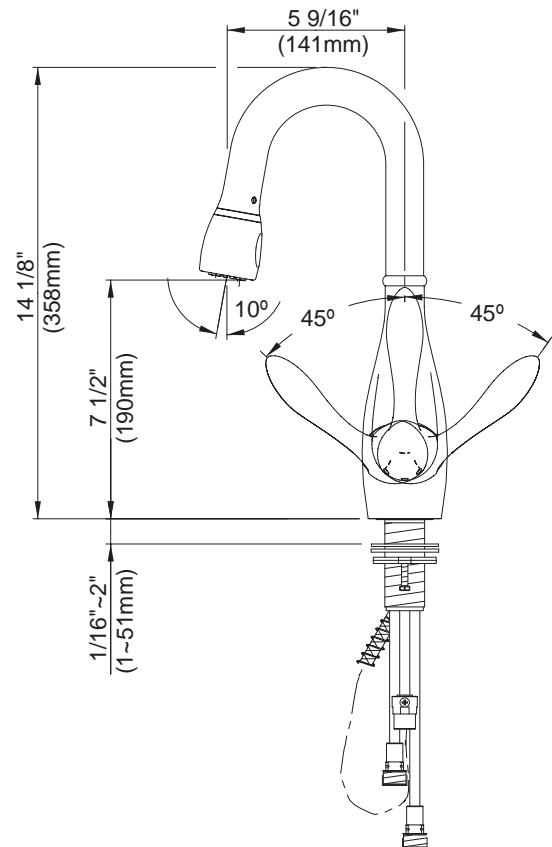
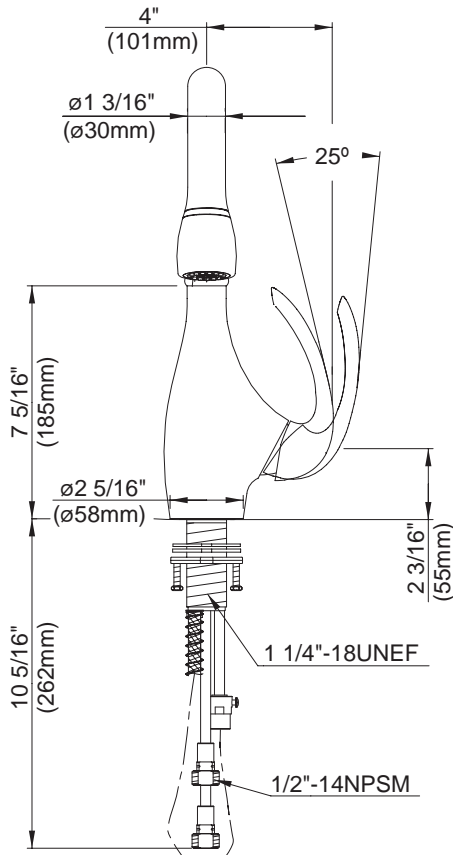
Available Colors & Finish

- Chrome
- Stainless Steel (SS)



Warranty

Danze products are covered by a manufacturer's limited "lifetime" warranty for manufacturing defects.



Specific Features: _____ Submitted Model No.: _____

SD455646/05-07.01