

**SPECIFICATIONS**

**WYNSTONE™ SINGLE HANDLE LAVATORY FAUCET**

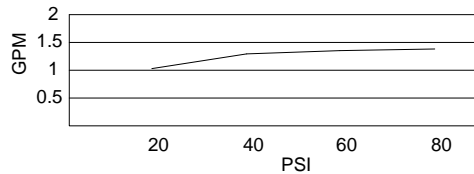
**Model**

D225361

**Description**

- Waterfall spout, 3 1/4" high spout and 5 1/4" spout length
- Ceramic disc valve
- Touch down drain assembly
- Single hole mount
- A112.18.1M, 1.5 gpm (5.7 LPM) maximum flow rate @ 60 psi

**Flow Rate**



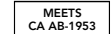
**Standards**



- UPC/cUPC
- NSF 61-9
- Energy policy act of 1992



- ASME A112.18.1M



- Meets CA AB-1953

Less than 0.25% Lead content



- ADA Accessibility Guidelines for Buildings and Facilities - 4.27.4 Controls and Mechanisms

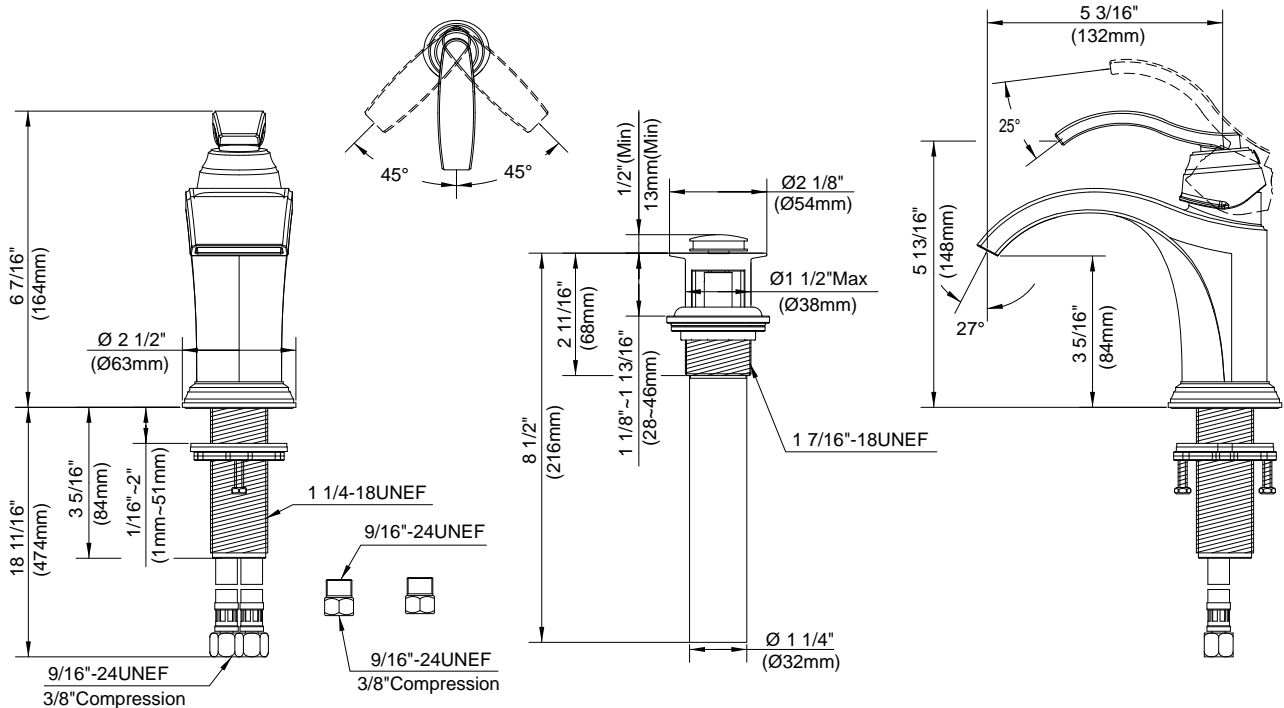


**Finishes Available**

- Chrome
- Other: Refer to Price List for additional finish

**Warranty**

Danze products are covered by a manufacturer's limited "lifetime" warranty for manufacturing defects.



**Submittal Information:**

Job Name: \_\_\_\_\_  
 Contractor: \_\_\_\_\_

Location: \_\_\_\_\_  
 Contact #: \_\_\_\_\_