

SPECIFICATIONS

COBALT™ 1 PIECE HIGH EFFICIENCY TOILET

Model

DC061421

Description

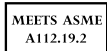
- 3" flush valve technology with Fluidmaster® pilot valve
- Compact elongated bowl with 12" rough-in
- 16 7/8" rim height
- Fully glazed trapway
- Water consumption rating: 1.28 gpf (4.8 Lpf)
- Accessories included: soft-close seat, matching color side mounted tank lever and matching color bolt caps



Standards



- UPC



- ASME A112.19.2



- CSA B45.1



- ADA Accessibility Guidelines for Buildings and Facilities - 4.16 Water Closets

Warranty

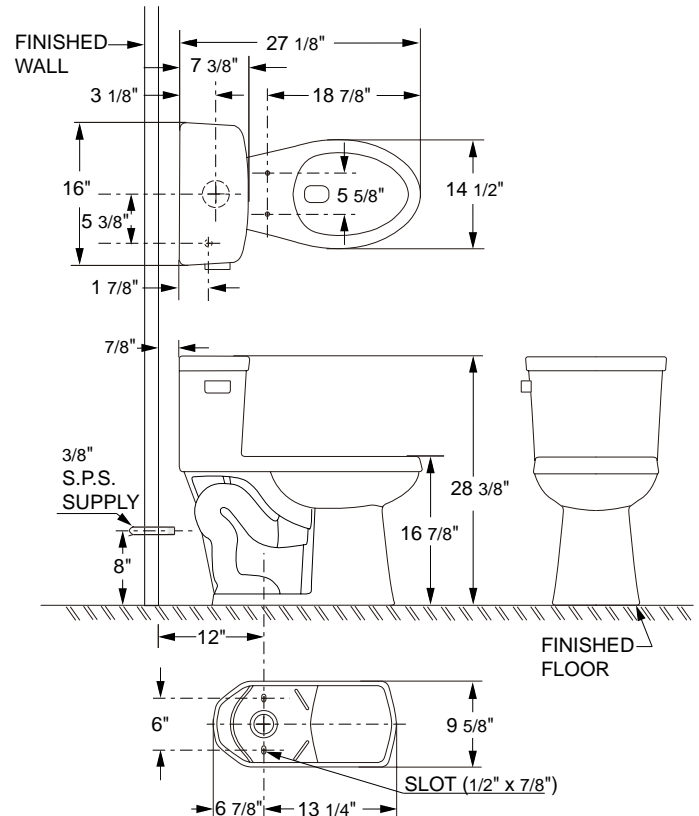
Five Year Limited Warranty (Vitreous China)

Technical Information

Fixture:	
Configuration	one-piece, elongated
Water per flush	1.28 gpf / 4.8 Lpf
Trapway	2 1/8" (5.4 cm)
Water depth from rim	5 7/8" (14.9 cm)
Water area	6 3/8" (16.1 cm) x 9 5/8" (24.4 cm)
Seat post hole centers	5 1/2" (14 cm)
Operating static pressure range	20 to 80 psi

Colors Available

- White (WH)
- Biscuit (BC)



IMPORTANT: Dimensions of fixtures are nominal and may vary within the range of tolerance established by ASME Standard A112.19.2. These measurements are subject to change or cancellation. No responsibility is assumed for use of superseded or voided pages.

Submittal Information:

Job Name: _____

Location: _____

Contractor: _____

Contact #: _____