

## SPECIFICATIONS

### RIVER ROCK® ROMAN TUB FAUCET

#### Model

RIV-ROM

#### Description

- Ceramic disc cartridges
- Metal lever handles
- Solid brass construction

#### Standards



- UPC/cUPC
- Energy Policy Act of 1992

MEETS ASME  
A112.18.1M

- ASME A112.18.1M



- ADA Accessibility Guidelines for Buildings and Facilities - 4.27.4 Controls and Mechanisms

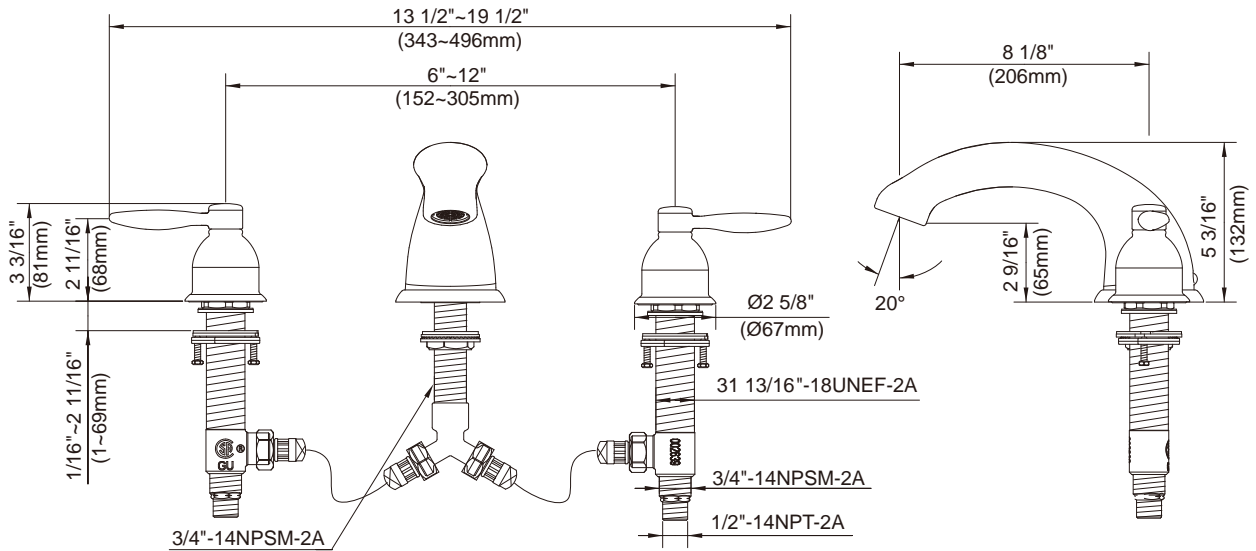
#### Warranty

Danze products are covered by a manufacturer's limited "lifetime" warranty for manufacturing defects.



#### Finishes Available

- Medium Bronze
- Other: Refer to Price List for additional finish



Submittal Information:

Job Name: \_\_\_\_\_

Location: \_\_\_\_\_

Contractor: \_\_\_\_\_

Contact #: \_\_\_\_\_