

**SPECIFICATIONS**

**VERSA™ SLIDE BAR ASSEMBLY WITH FLORIN™ HANDSHOWER**

**Model**

D461736

**Description**

- 5 function Florin handshower: wide, centerjet, aeration, massage and wide + centerjet
- D-Force™ Technology
- With 30" Versa™ slide bar
- 72" metal hose
- Maximum flow rate 2.5 GPM @ 80 PSI
- Bracket rotates 90 degree forward and backward separately

**Standards**



- UPC/cUPC
- Energy policy act of 1992

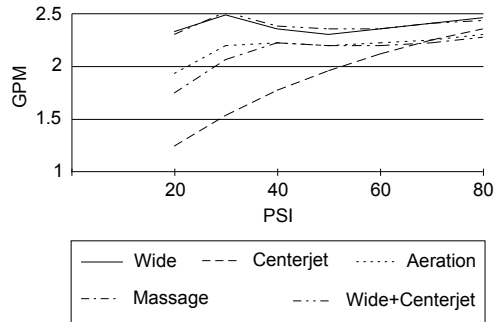


- ASME A112.18.1M

**Warranty**

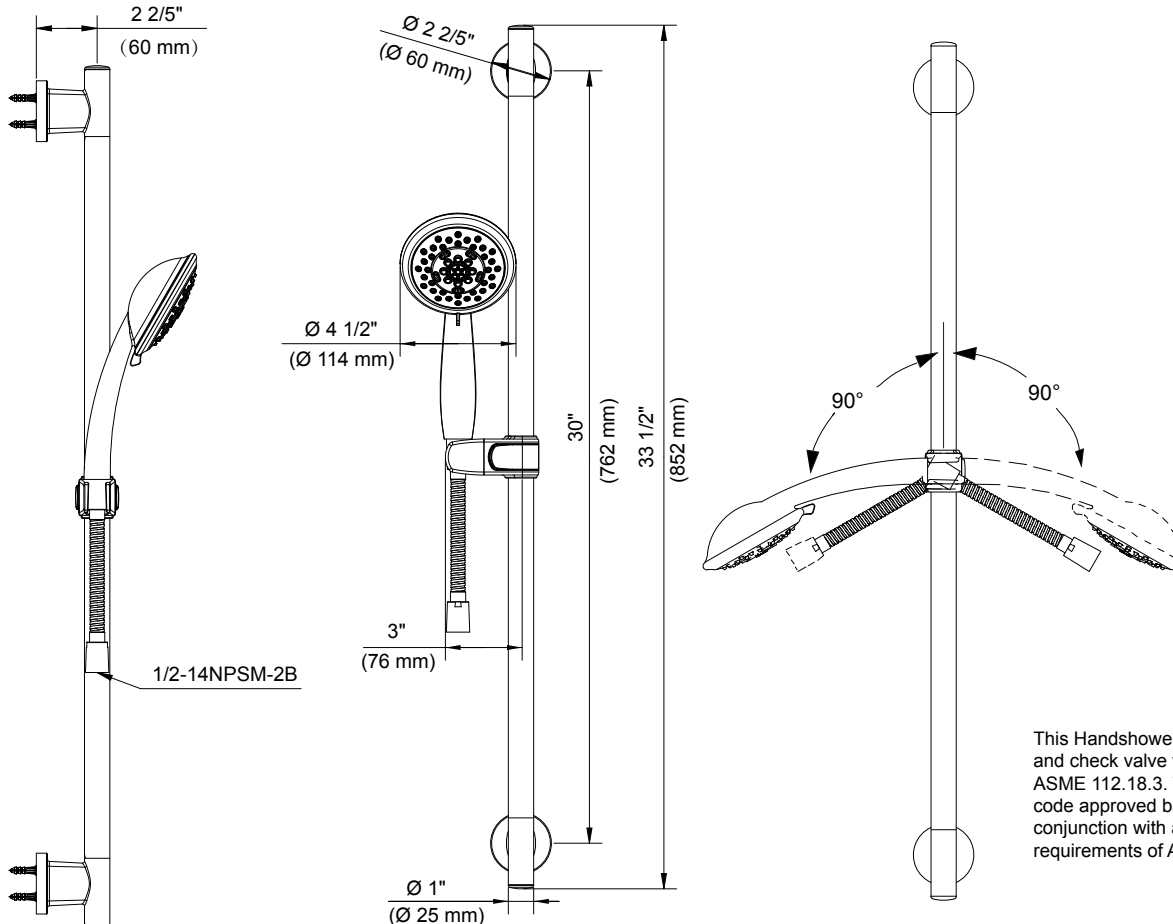
Danze products are covered by a manufacturer's limited "lifetime" warranty for manufacturing defects.

**Flow Rate**



**Finishes Available**

- Chrome
- Other: Refer to Price List for additional finish



This Handshower contains an integral flow controller and check valve which meets the requirements of ASME 112.18.3. This Slide Bar Assembly provides code approved back flow prevention when used in conjunction with another check valve which meets the requirements of ASME 112.18.3.

Submittal Information:

Job Name: \_\_\_\_\_  
 Contractor: \_\_\_\_\_

Location: \_\_\_\_\_  
 Contact #: \_\_\_\_\_