

SPECIFICATIONS

BOOST™ 4" THREE-FUNCTION SHOWERHEAD

Model

D460047

Description

- 3 functions: wide, centerjet and aeration
- Dual Valve Technology™ and Air Injection Technology
- Brass ball joint with polymer shell
- Easy-Glide™ selector ring with lever
- With 56 easy clean jets
- Uses 20% less water than a standard showerhead
- 2.0gpm(7.6L/min) maximum aerator @80 psi

Standards



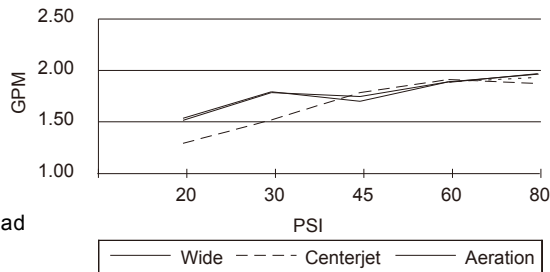
• UPC/cUPC

• Energy policy act of 1992



• ASME A112.18.1M/A112.18.1

Flow Rate

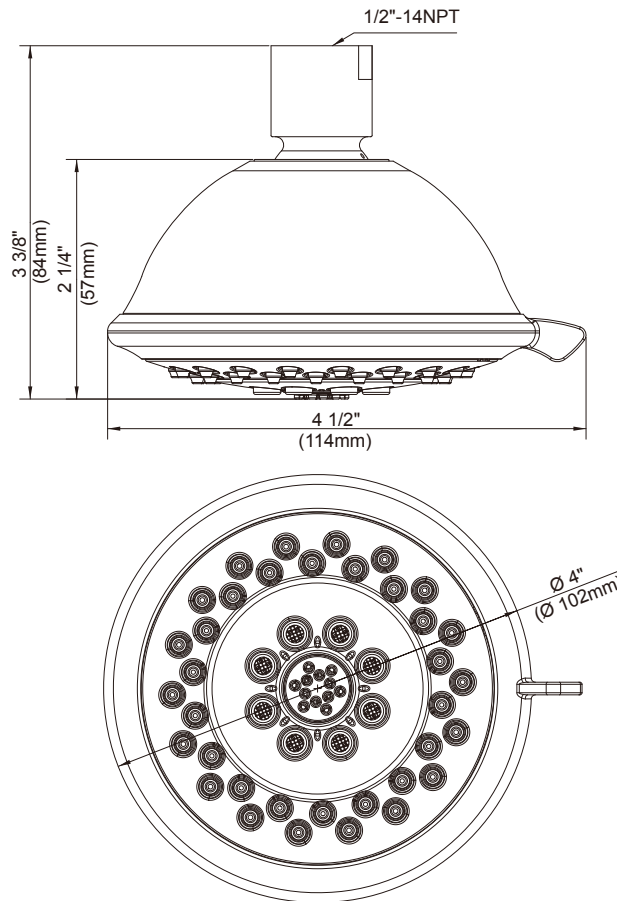


Finishes Available

- Chrome
- Other: Refer to Price List for additional finish

Warranty

Danze products are covered by a manufacturer's limited "lifetime" warranty for manufacturing defects.



Submittal Information:

Job Name: _____

Location: _____

Contractor: _____

Contact #: _____