

SPECIFICATIONS

4 1/2" VIX™ SHOWERHEAD

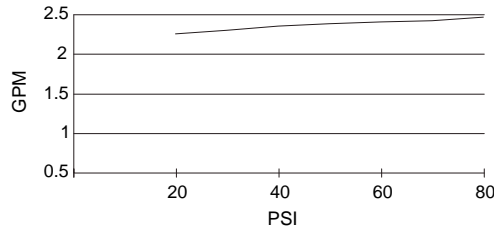
Model

DH460177

Description

- Pressure Manifold™ & Air Injection Technology
- Optimizes water intensity even at low pressures
- With 40 easy clean jets
- Maximum flow rate 2.5 gpm @20 - 80 psi

Flow Rate



Standards



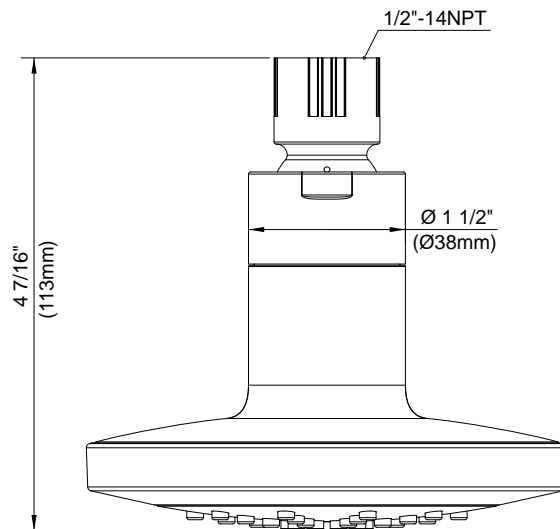
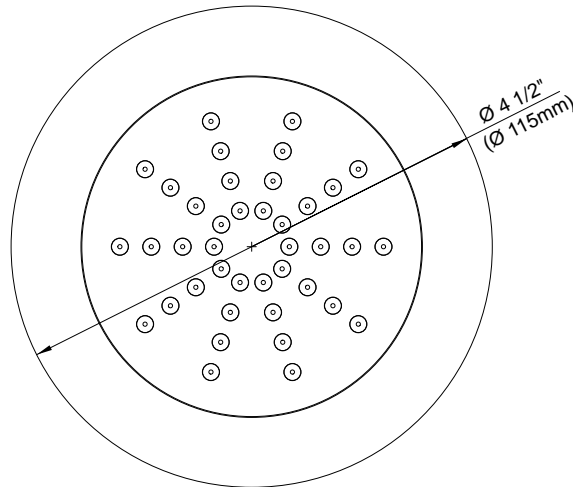
- UPC/cUPC
- Energy policy act of 1992

Warranty

Danze products are covered by a manufacturer's limited "lifetime" warranty for manufacturing defects.

Finishes Available

- Chrome
- Brushed Nickel



Submittal Information:

Job Name: _____

Location: _____

Contractor: _____

Contact #: _____