

**SPECIFICATIONS**

**4" 250 SHOWERHEAD**

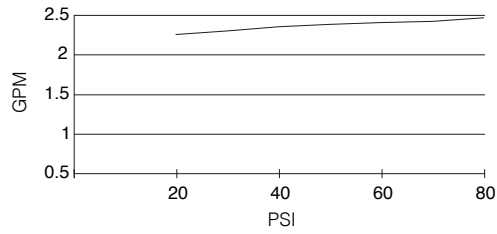
**Model**

D460024

**Description**

- Pressure Manifold™ Technology
- Brass ball joint with polymer shell
- Optimizes water intensity even at low pressures
- With 40 easy clean jets
- Maximum flow rate 2.5 gpm @ 80 psi

**Flow Rate**



**Standards**



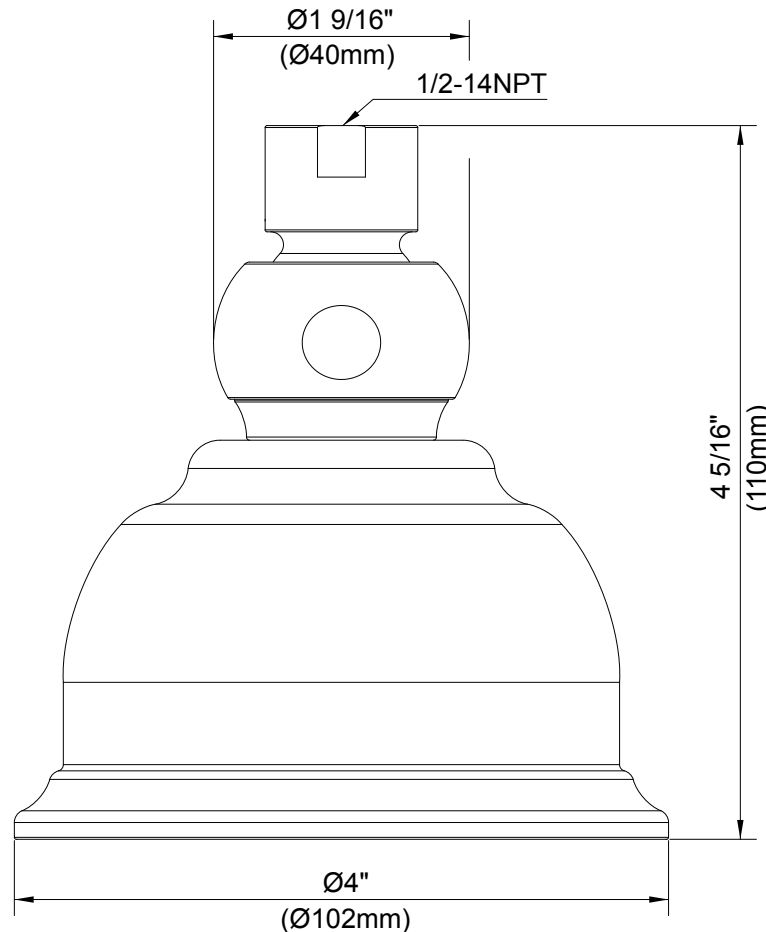
- UPC/cUPC
- Energy Policy Act of 1992

**Warranty**

Danze products are covered by a manufacturer's limited "lifetime" warranty for manufacturing defects.

**Finishes Available**

- Chrome
- Other: Refer to Price List for additional finish



Submittal Information:

Job Name: \_\_\_\_\_

Location: \_\_\_\_\_

Contractor: \_\_\_\_\_

Contact #: \_\_\_\_\_