



DECOLAV®

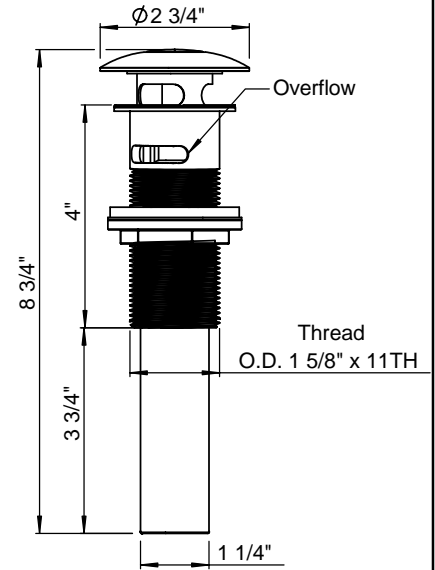
Model Number: 9297 Series

### Product Description - Roughing-in Dimensions



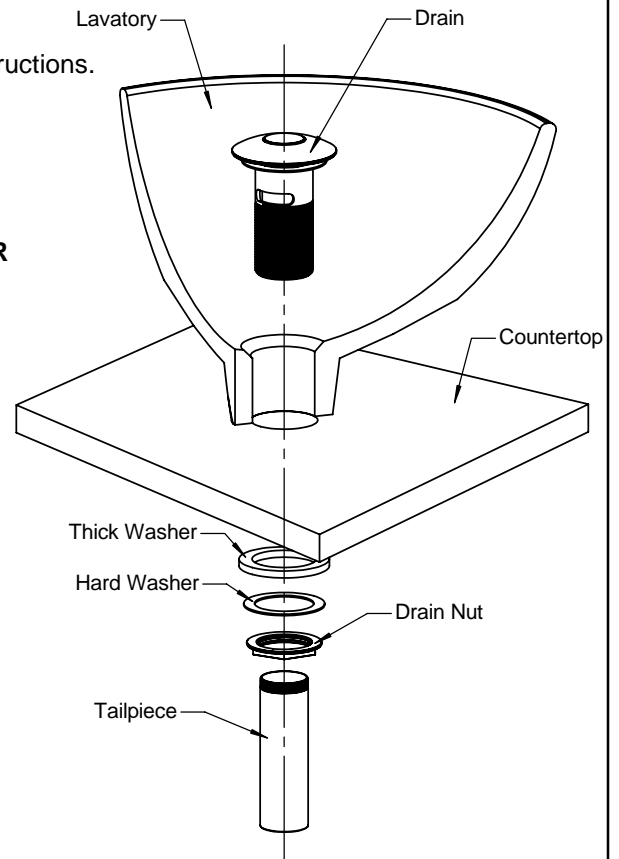
#### Push Button Closing Umbrella Drain with Overflow

- Parts and Accessories
- With Overflow
- 1 1/4" Internal Diameter
- Measurement: 2 3/4" x 8 3/4" (including tailpiece)
- CSA Certified: CSA B125-01, ASME A112.18.2 - 2002



### Installation Notes

- Install Lavatory according to manufacturer's provided installation instructions.
- Remove **Drain Nut**, **Hard Washer** and **Thick Washer** from **Drain**.
- Insert **Drain** into drain hole of Lavatory as shown.
- **NOTE: USE OF A NON-CORROSIVE SILICONE SEALANT UNDER THE FLANGE OF THE DRAIN IS SUGGESTED.**
- Apply Teflon to the exposed male threading of **Drain**.
- Place **Thick Washer** then **Hard Washer** over the exposed male threading of **Drain**.
- Thread **Drain Nut** onto **Drain**.
- **NOTE: DO NOT OVERTIGHTEN DRAIN!**
- If needed, trim off excess **Tailpiece** for appropriate length.
- Apply Teflon to exposed male threading of **Tailpiece** and tighten.
- Install waste system.
- Check for leakage.



Customer Service  
561-274-2110  
www.decolav.com