

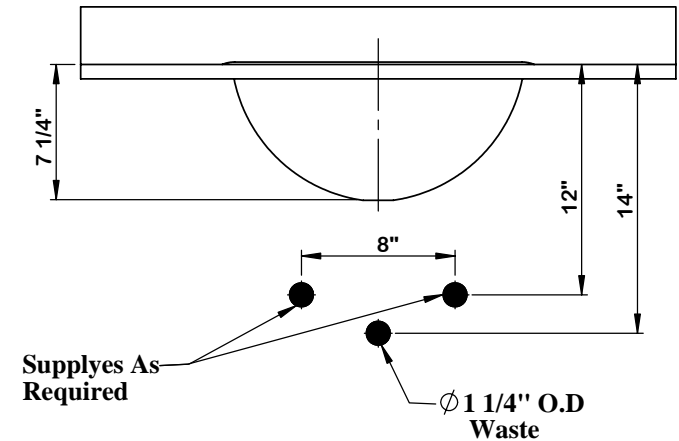


**Product Description**

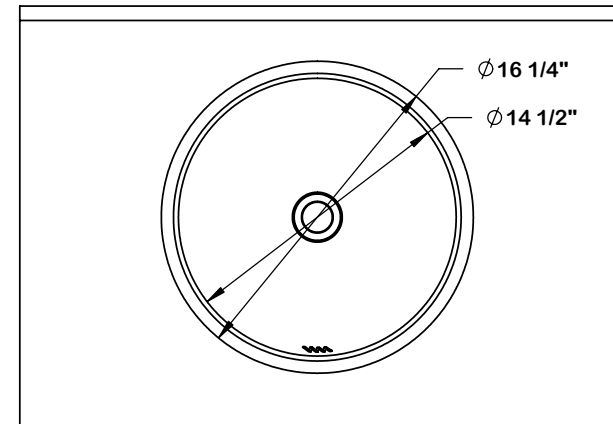
**1220**

- 18/10 stainless steel above counter vessel.
- 1 mm Polished or Brushed stainless steel.
- Dimensions :16 1/4"x7 1/4"
- Recommended Accesories: 9295 Grid Drain or 9297 Popup Drain and 9100 Bottle Trap.
- CSA Certified meets CSA B45.0, B45.4, ASME 112.19.3 Requirements.

Note:-Dimensions shown for location of supplies and waste are suggested.  
-Stainless steel Bowl Shown as a Dropin but it can be undermounted.



**FRONT VIEW**



**TOP VIEW**