



# KITCHEN FAUCETS

- Grail® Series
- Single Handle Deck Mount
- 1 Hole Sink Applications

## STANDARD SPECIFICATIONS:

- Ceramic cartridge.
- 1 hole installation.
- 8 1/4" (210 mm) long, 7" (178 mm) high reach on spout, swings 360°.
- Maximum 1 7/8" (48 mm) deck thickness.
- Colour coded plug button on handle for hot/cold identification.

## WARRANTY

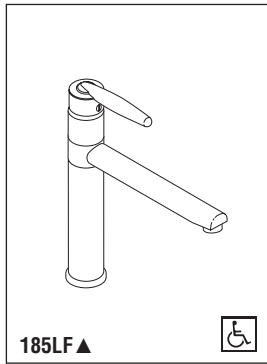
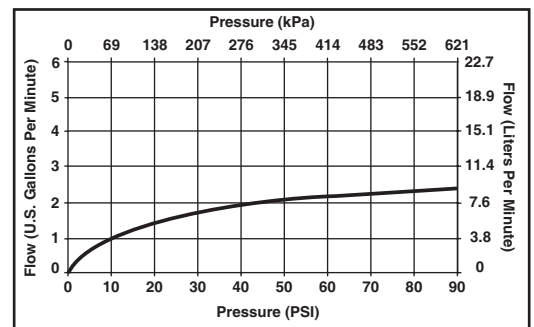
- Lifetime Faucet and Finish Limited Warranty to the original consumer purchaser to be free from defects in material and workmanship.
- 5 Year Limited Warranty for usage in all industrial, commercial and business applications.



## COMPLIES WITH

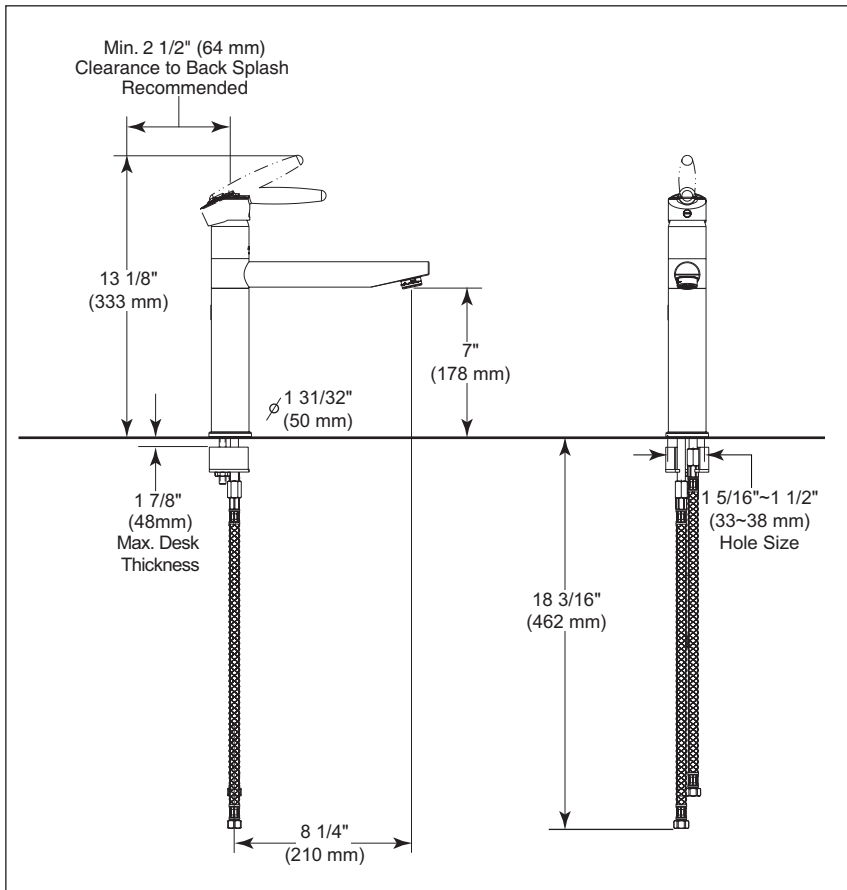
- ASME A112.18.1 / CSA B125.1
- NSF 61
- Indicates compliance to ICC / ANSI A117.1
- CSA Certified

Verified compliant with 0.25% weighted average Pb content regulations.



Submitted Model No.: \_\_\_\_\_

Specific Features: \_\_\_\_\_



▲ Designate proper finish suffix

Delta reserves the right (1) to make changes in specifications and materials, and (2) to change or discontinue models, both without notice or obligation. Dimensions are for reference only. See current full-line price book or [www.specselectonline.com](http://www.specselectonline.com) for finish options and product availability.

DSP-K-185LF Rev. A



55 E. 111th Street, Indianapolis, Indiana 46280  
 395 Matheson Blvd. E., Mississauga, ON L4Z 2H2  
 © 2009 Masco Corporation of Indiana