

BAR & PREP SINK FAUCETS

- Classic Series
- Two Handle Deck Mount
- 2 Hole Sink Applications

Submitted Model No.: _____

Specific Features: _____


STANDARD SPECIFICATIONS:

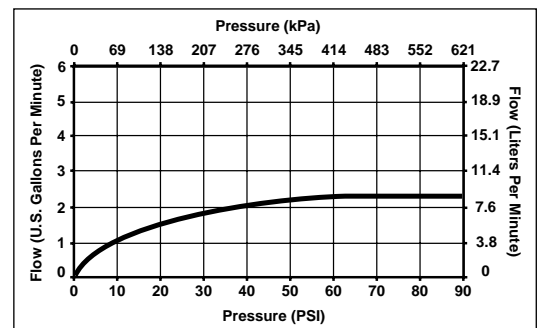
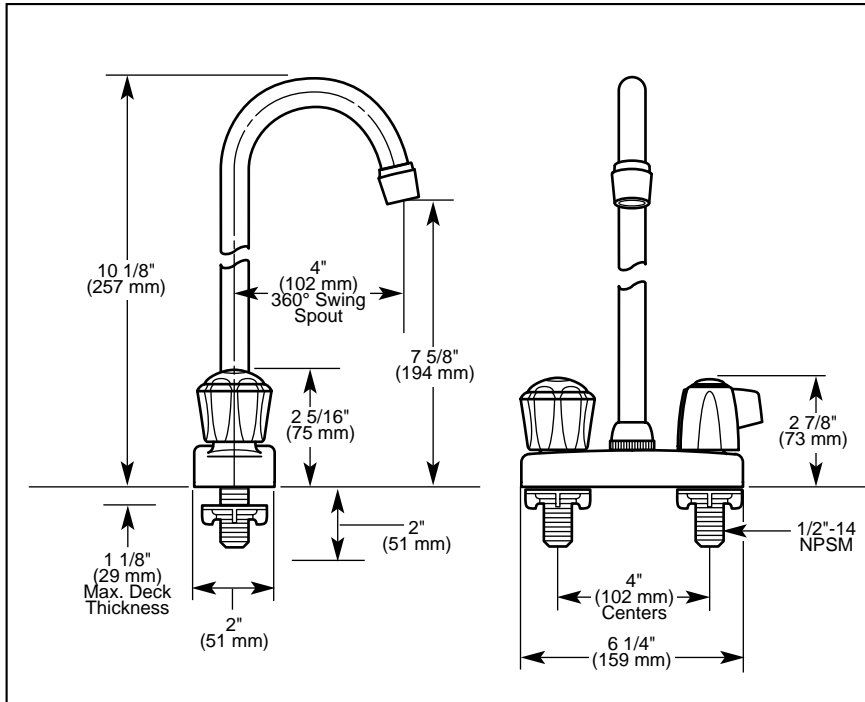
- Two handle deck faucets for exposed mounting on 2 hole sinks.
- Solid brass fabricated body.
- 4" (102 mm) centerset.
- 4" (102 mm) long, 10 1/8" (257 mm) high spout swings 360°.
- Hot and cold stems are interchangeable.
- Control mechanism shall be of the rotating cylinder type with stainless steel plate and 180° rotation, with replaceable non-metallic seats operating in stainless steel lined sockets.
- 1/2"-14 NPSM threaded male shanks.

WARRANTY

- Lifetime Faucet and Finish Limited Warranty to the original consumer purchaser to be free from defects in material and workmanship.
- 5 Year Limited Warranty for usage in all industrial, commercial and business applications.

COMPLIES WITH:

- ASME A112.18.1 / CSA B125.1
-  Indicates ADA compliance to ICC/ANSI A117.1
- IAPMO Listed
- CSA Certified



Indianapolis, Indiana 46280
A Division of Masco Corporation of Indiana
© 2006 Masco Corporation of Indiana

Delta reserves the right (1) to make changes in specifications and materials, and (2) to change or discontinue models, both without notice or obligation. Dimensions are for reference only. See current full-line price book for finish options and product availability.