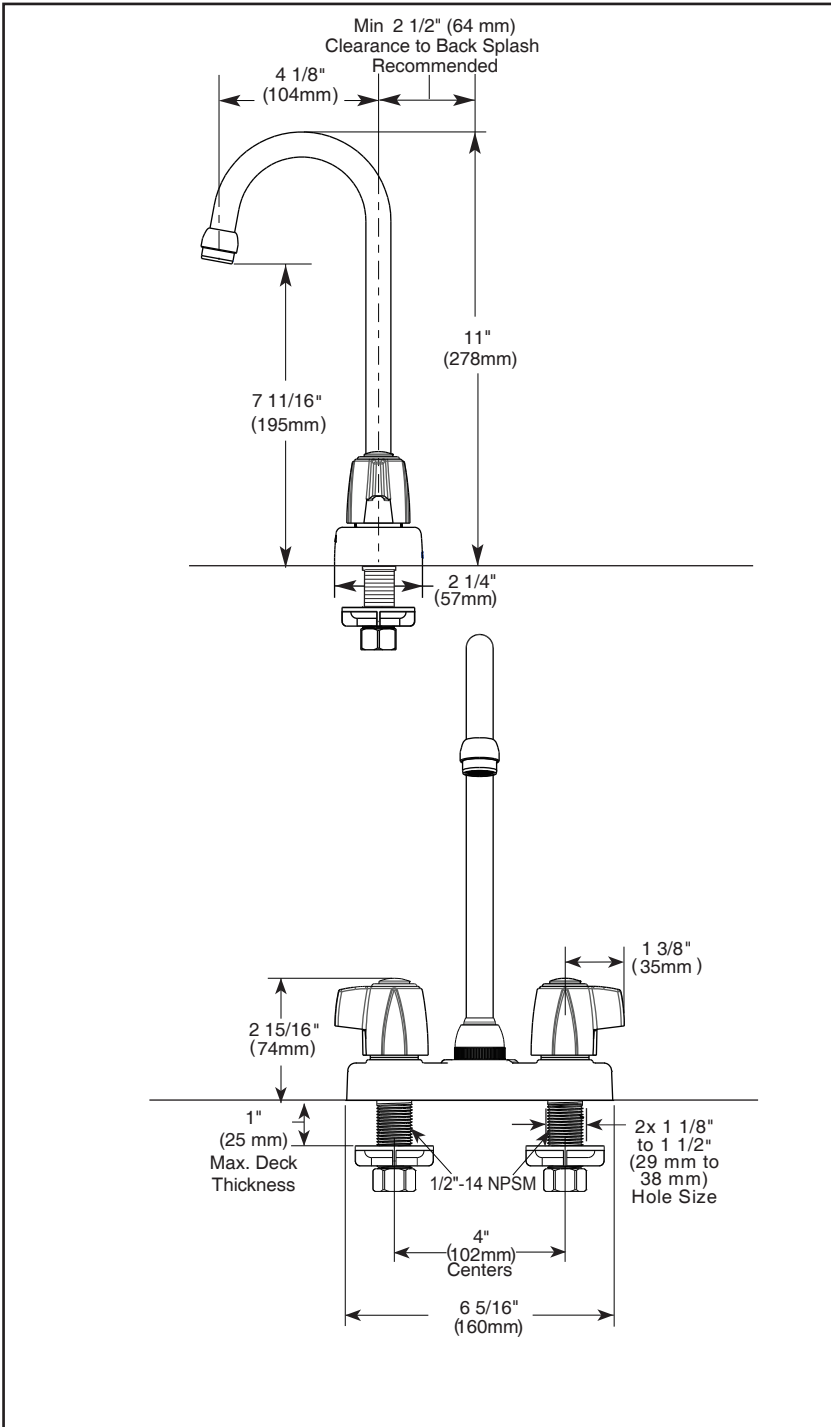


2171LF



Submitted Model No.: _____

Specific Features: _____



BAR & PREP SINK FAUCETS

- Two Handle, Deck Mount
- 2 and 3 Hole Sink Applications
- 4" Centerset

STANDARD SPECIFICATIONS:

- Two handle bar sink faucet for exposed mounting on 2 and 3 hole sinks with 4" centers.
- 4" (102mm) centerset.
- 4 1/8" (104mm) long, 11" (278mm) high spout, swings 360°.
- All operating parts are replaceable from the top.
- Hot and cold stems are interchangeable.
- 1/2"-14 NPSM threaded male inlet shanks.
- Control mechanism is a rotating cylinder type with stainless steel plate and 90° rotating, with replaceable non-metallic seats.
- 1.5 gpm (5.7 L/min) max. flow rate @ 60 psi.

WARRANTY

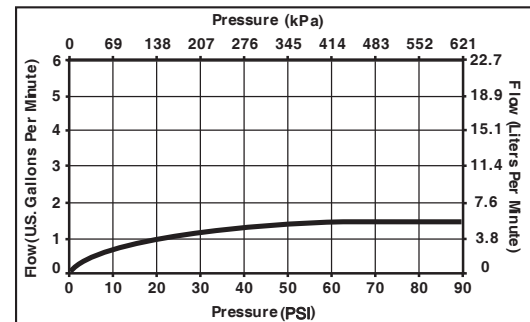
- Lifetime Faucet and Finish Limited Warranty to the original consumer purchaser to be free from defects in material and workmanship.
- 5 Year Limited Warranty for usage in all Industrial, Commercial and business applications.



COMPLIES WITH

- ASME A1 12.18.1 / CSAB125.1
- Indicates compliance to ICC / ANSI A117.1
- CSA Certified

Verified compliant with 0.25% weighted average Pb content regulations.



55 E. 111th Street, Indianapolis, Indiana 46280
350 South Edgeware Road, St. Thomas, Ontario Canada N5P 4L1
© 2011 Masco Corporation of Indiana

Delta reserves the right (1) to make changes in specifications and materials, and (2) to change or discontinue models, both without notice or obligation. Dimensions are for reference only. See full-line price book or www.specselect.com for finish options and product availability.