



Lavatory Faucets

Single hole basin faucet

Model No: 23C1049

COMPLIES WITH:

- CSA certified.
- Complies to ASME Standard A112.18.1.
- IAPMO listed
- (Contact Delta Representative for State and/or Local Approvals)



SPECIFICATION:

- Single hole basin faucet
- Chrome Finish
- Outlet#: 4 - Standard 1.5 USGPM (5.7 L/Min) Flow Control Aerator
- Handle#: 9 - VR Self-Closing Five Flute Handles-Metal-Color indexed-Vandal resistant(VR) screws

OPERATION:

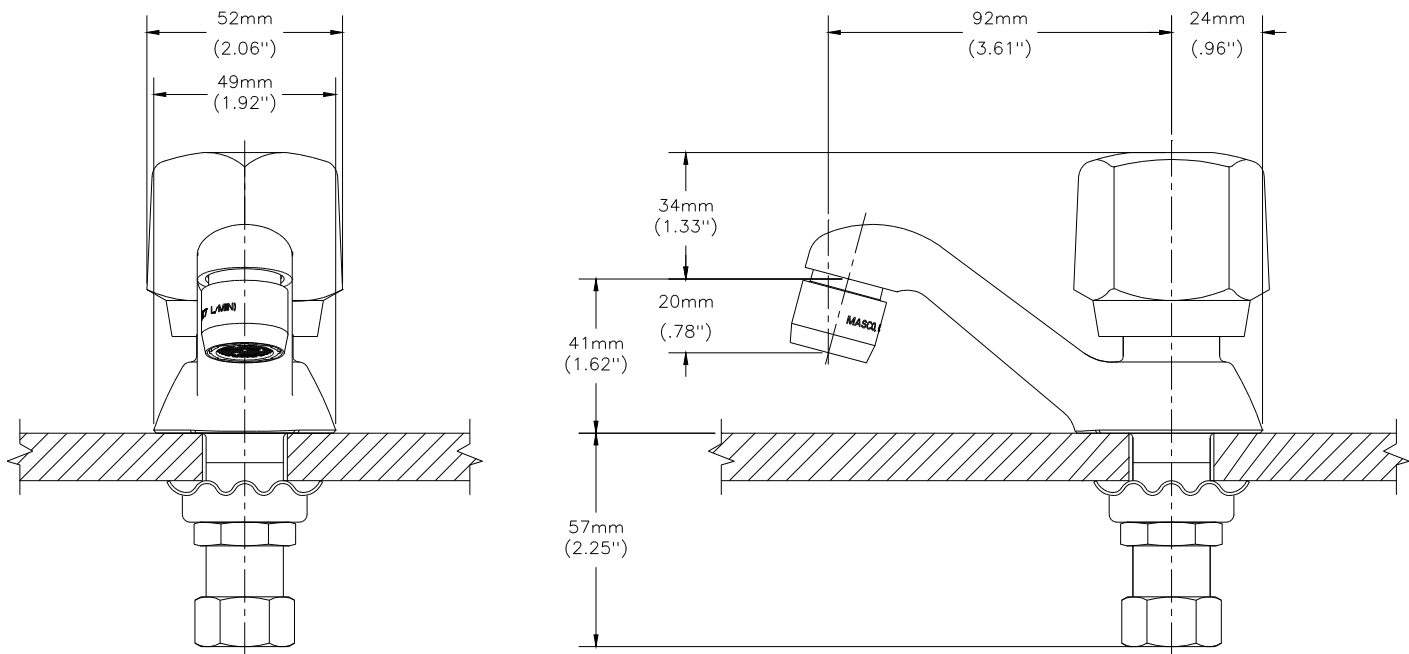
- Not Available

(Dimensional drawing on following page)

Delta reserves the right (1) to make changes to specifications and materials, and (2) to change or discontinue models, both without notice or obligation. Dimensions are for reference. Measurement may vary plus or minus 6mm(0.25"). Mounting locations are suggested only. Check with local codes for requirements in your area.

Delta Faucet Company - 55 East 111th St. - Indianapolis, Indiana, USA 46280 - (317) 848-1812
Delta Faucet Canada - 395 Matheson Blvd E - Mississauga, Ontario, Canada L4Z 2H2 - (905) 712-3030

Model No: 23C1049



INLET FOR 3/8" OR 1/2" FLEXIBLE RISER
OR 1/2-14 NPSM COUPLING NUT (SUPPLIED)

Delta reserves the right (1) to make changes to specifications and materials, and (2) to change or discontinue models, both without notice or obligation. Dimensions are for reference. Measurement may vary plus or minus 6mm(0.25"). Mounting locations are suggested only. Check with local codes for requirements in your area.

Delta Faucet Company - 55 East 111th St. - Indianapolis, Indiana, USA 46280 - (317) 848-1812
Delta Faucet Canada - 395 Matheson Blvd E - Mississauga, Ontario, Canada L4Z 2H2 - (905) 712-3030