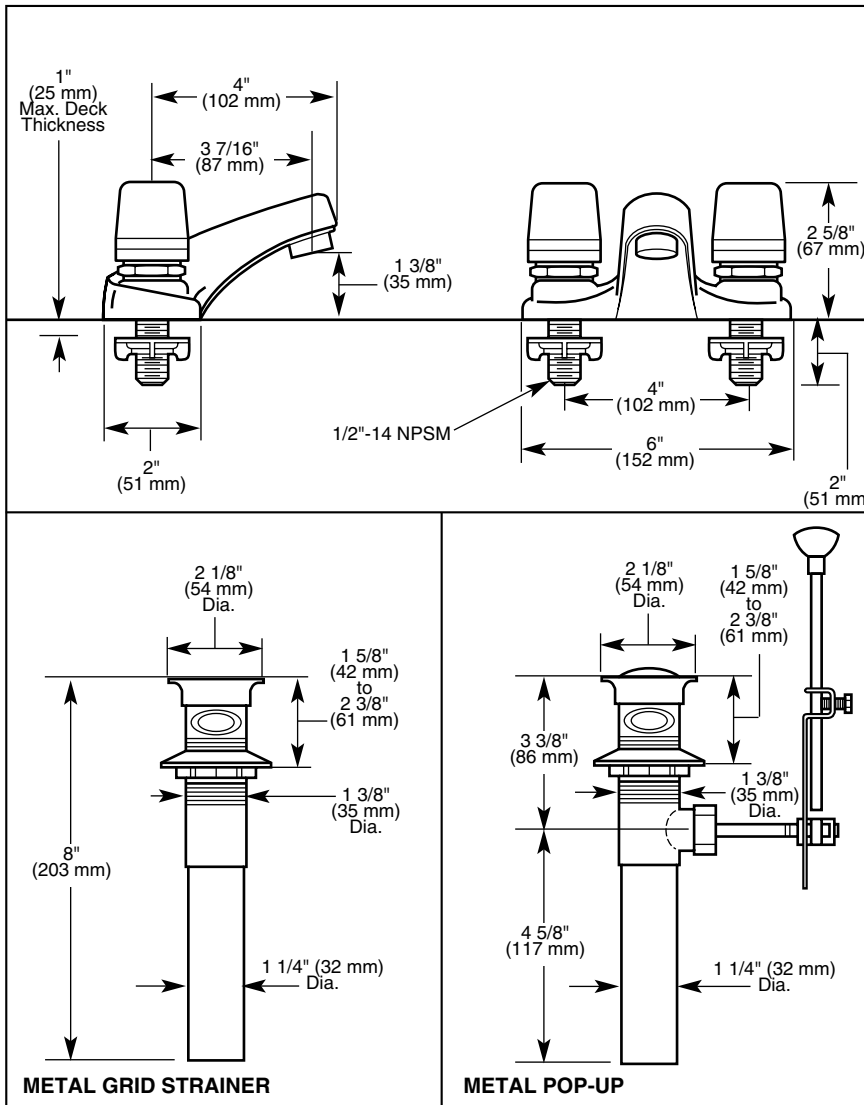


LAVATORY FAUCETS

- Two Handle
- Deck Mount
- 2 and 3 Hole Sink Applications
- 4" (102 mm) Centerset

Submitted Model No.: _____

Specific Features: _____

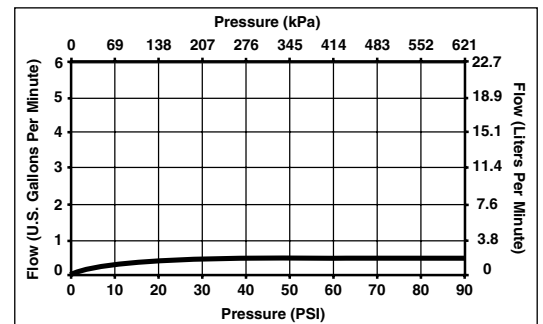


COMPLIES WITH:

- ASME A112.18.1
- CSA B125
- IAPMO Listed
- CSA Certified

STANDARD SPECIFICATIONS:

- Two-handle slow self-closing faucets. For two and three hole deck mount applications.
- 4" (102 mm) centerset.
- 3 7/16" (87 mm) long spout.
- Metering, vandal resistant, slow-close push handle.
- No lift rod hole (2507/2517).
- Metal pop-up drain (2527).
- .5 gpm (1.9L/min) vandal resistant spray outlet. Total flow per actuation must not exceed .25 gpm (1.0L/min).
- All operating parts must be replaceable from above the deck.
- 1/2"-14 NPSM threaded male inlet shanks.



Delta reserves the right (1) to make changes in specifications and materials, and (2) to change or discontinue models, both without notice or obligation. Dimensions are for reference only.

Standard Features	2507-HDF	2517-HDF	2527-HDF
Washerless	◆	◆	◆
Two Hole Installation	◆	◆	
Three Hole Installation	◆	◆	◆
4" (102 mm) Centerset	◆	◆	◆
3 7/16" (87 mm) Long Spout	◆	◆	◆
.5 gpm (1.9L/min) Vandal Resistant Spray Outlet	◆	◆	◆
No Lift Rod Hole	◆	◆	
1/2"-14 NPSM Threaded Male Inlet Shanks	◆	◆	◆
Metal Pop-Up Drain			◆
Metal Grid Strainer		◆	
Chrome Finish	◆	◆	◆



Indianapolis, Indiana 46280
 A Division of Masco Corporation of Indiana
 © 2002 Masco Corporation of Indiana