

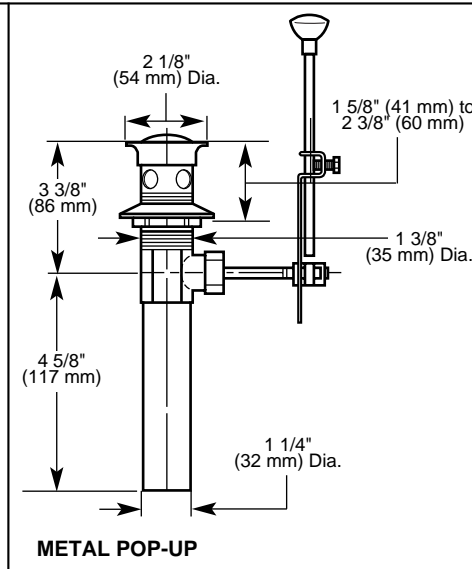
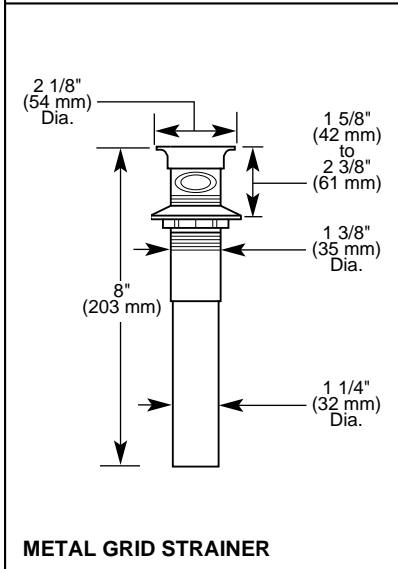
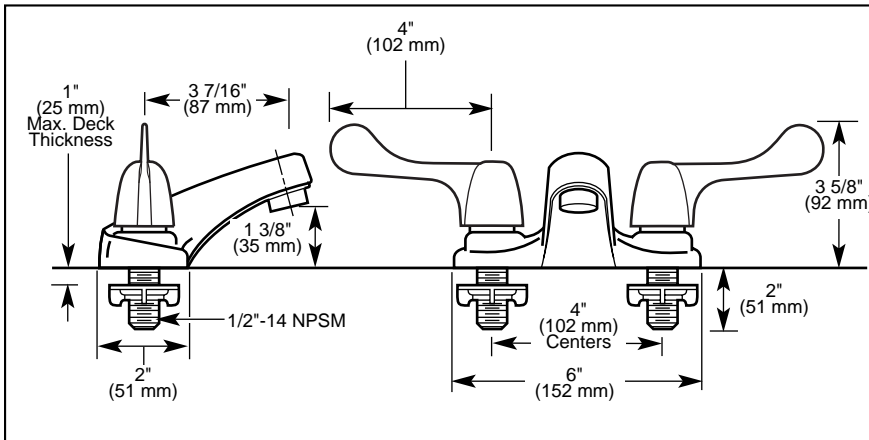
- Two Handle
- Deck Mount
- 2 and 3 Hole Sink Applications
- 4" (102 mm) Centerset

STANDARD SPECIFICATIONS:

- Two handle lavatory deck faucets for exposed mounting on two and three hole sinks.
- 4" (102 mm) centerset.
- Solid brass fabricated body.
- 3 7/16" (87 mm) long spout.
- Vandal resistant metal wrist blade handles. Red/blue colored graphics indicate hot/cold temperature.
- Control mechanism shall be of the rotating cylinder type with stainless steel plate and 1/4 turn stops. Replaceable non-metallic seats operate in stainless steel lined sockets.
- Hot and cold stems are interchangeable.
- 1/2"-14 NPSM threaded male inlet shanks.
- Vandal resistant aerator or spray outlet.
- Metal grid strainer (2529-HDF).
- Metal pop-up drain (2529-HDM).
- Lift Rod Hole (2529-HDM).

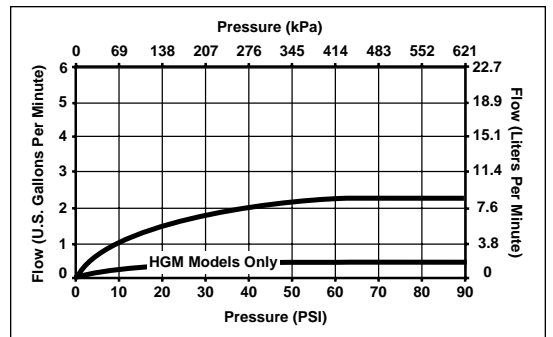
Submitted Model No.: _____

Specific Features: _____



COMPLIES WITH:

- ASME A112.18.1
- CSA B125
- Indicates ADA compliance to CABO/ANSI A117.1
- IAPMO Listed
- CSA Certified



Delta reserves the right (1) to make changes in specifications and materials, and (2) to change or discontinue models, both without notice or obligation. Dimensions are for reference only. See current full-line price book or www.specselectonline.com for finish options and product availability.