

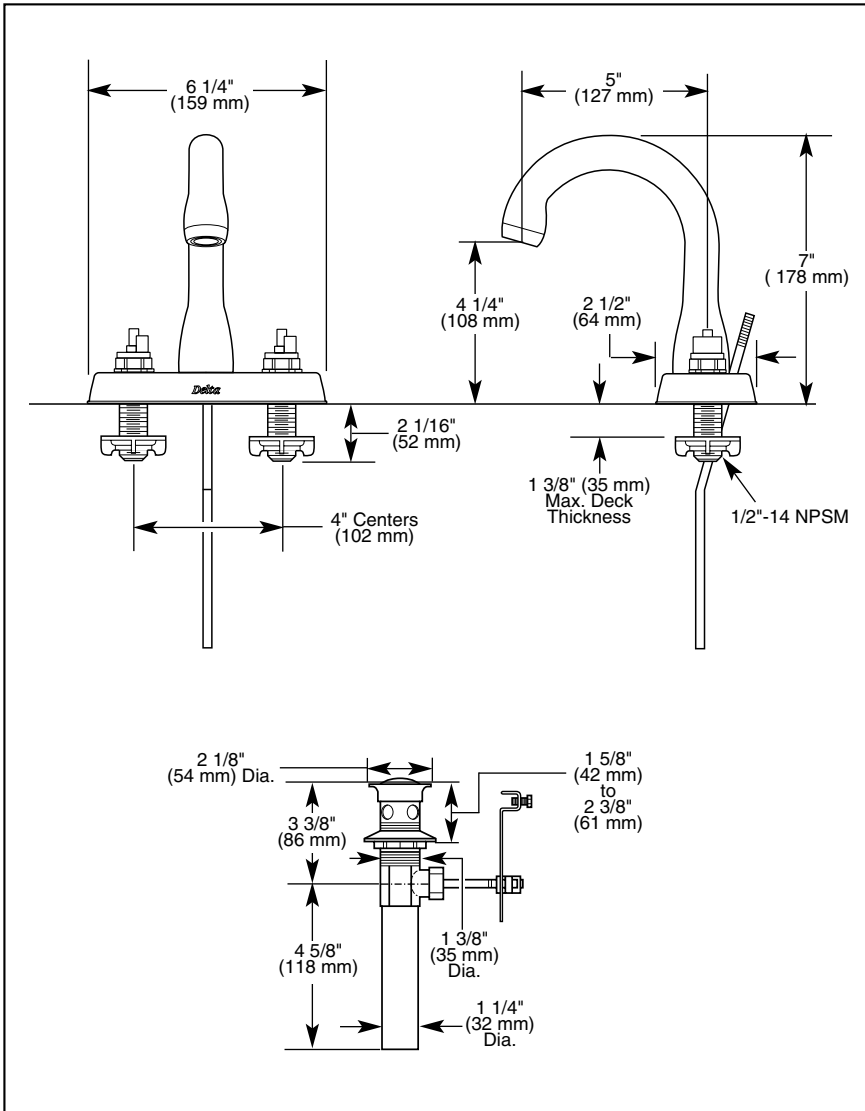
DELTA[®]

LAVATORY FAUCETS

- Two Handle
- The Michael Graves Collection™
- 3 Hole Sink Applications
- 4" Centerset

Submitted Model No.: _____

Specific Features: _____



LISTED
UL Listed to US and Canadian
Safety Standards and Classified
in accordance with
ANSI/NSF 61
21PL

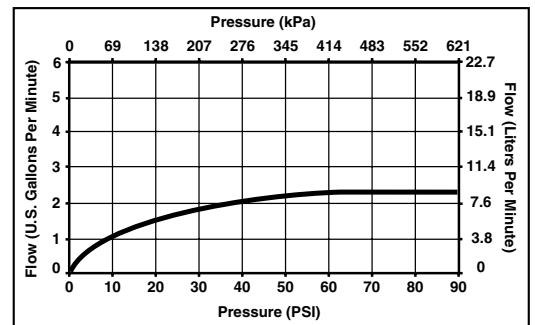


COMPLIES WITH:

- NSF 61
- ASME A112.18.1
- CSA B125
- Indicates ADA compliance to ICC/ANSI A117.1
- IAPMO Listed to ASME A112.18.1
- CSA Certified

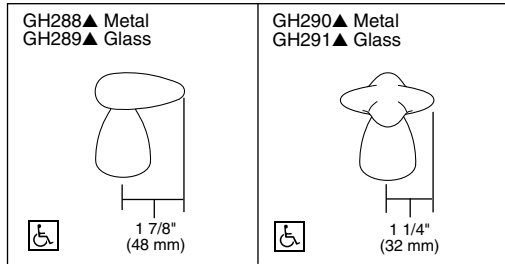
STANDARD SPECIFICATIONS:

- Two handle lavatory deck faucets for exposed mounting on three hole sinks.
- 4" (102 mm) centerset.
- Solid brass fabricated body.
- Graves Less Handle Program. See handle kit options on back.
- Hot and cold stems are interchangeable.
- 1/4 turn stops.
- Control mechanism shall be of the rotating cylinder type with stainless steel plate and 180° rotation, with replaceable non-metallic seats operating in stainless steel lined sockets.
- 1/2"-14 NPSM threaded male inlet shanks.
- Models have metal drain with pop-up type fitting with plated flange and stopper.



Standard Features	2588-GLHP	2588-MCGLHP	2588-SSGLHP
Washerless	◆	◆	◆
Three Hole Installation	◆	◆	◆
4" (102 mm) Centerset	◆	◆	◆
5" (127 mm) Long, 7" (178 mm) High Rigid Spout	◆	◆	◆
Less Handle Program See Handle Kit Options*	◆	◆	◆
Brass Stems and 1/4 Turn Stops	◆	◆	◆
1/2"-14 NPSM Threaded Male Inlet Shanks	◆	◆	◆
Metal Pop-Up Drain	◆	◆	◆
Chrome Finish	◆		
Matte Chrome Finish		◆	
<i>Brilliance</i> ® Stainless Finish			◆

***Available GLHP Handle Options (handles fit the Michael Graves Collection™ models only)**
▲Designate proper finish suffix.



Indianapolis, Indiana 46280
 A Division of Masco Corporation of Indiana
 © 2003 Masco Corporation of Indiana