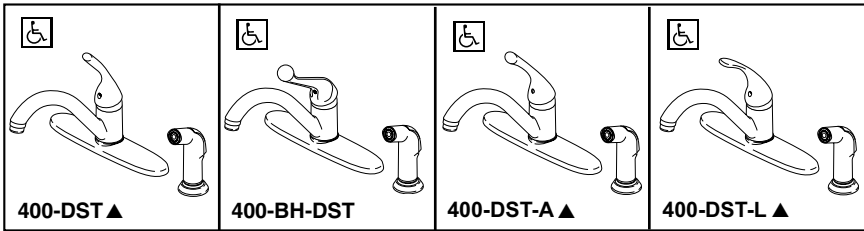




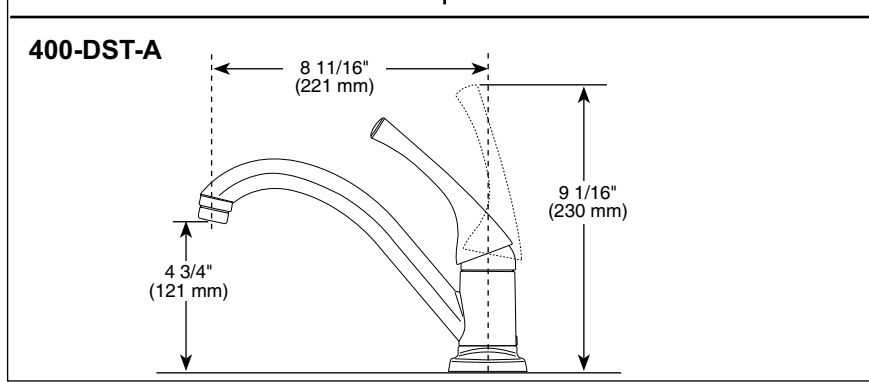
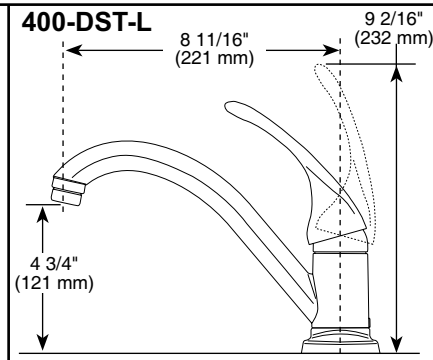
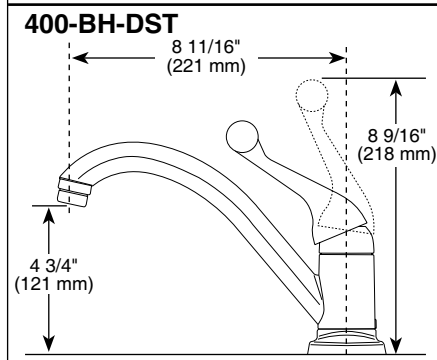
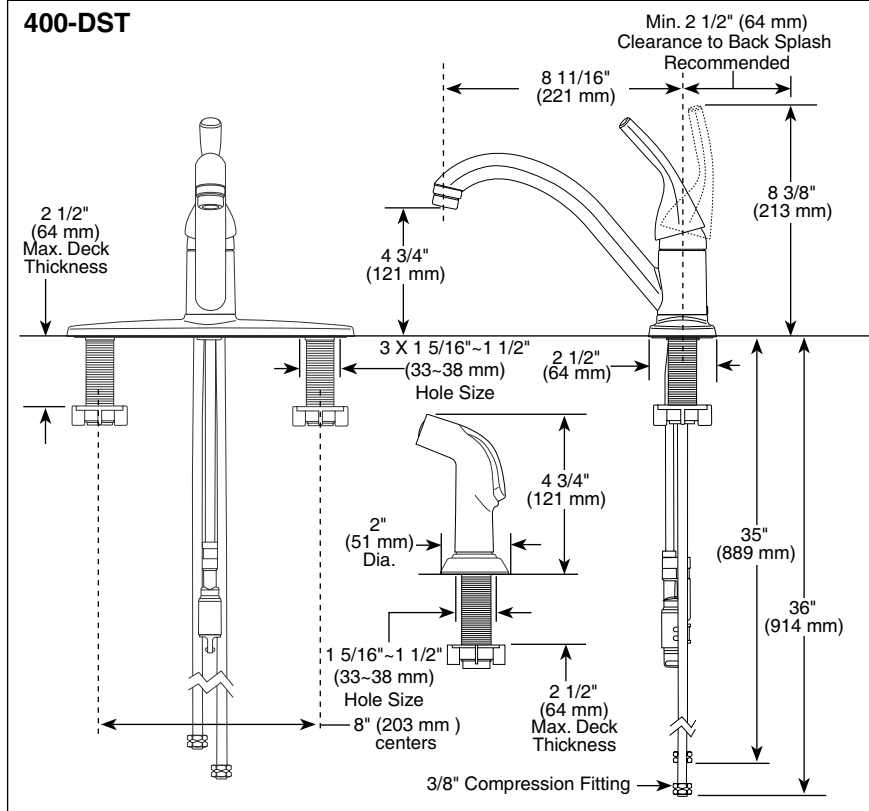
KITCHEN FAUCETS

- Single Handle Deck Mount
- 3 and 4 Hole Sink Applications
- DIAMOND™ Seal Technology
- Integrated Supply Tubes



Submitted Model No.: _____

Specific Features: _____



STANDARD SPECIFICATIONS:

- 8 11/16" (221 mm) long spout swings 180°.
- Lever handle shall return to neutral position when faucet is turned off.
- Control mechanism shall be the diamond coated ceramic cartridge.
- Model 400 series with spray attachment have anti-siphon device as integral part of faucet.
- Vegetable sprayer hose with matching finish sprayhead - 45" (1143mm) long hose.
- 3/8" O.D. straight, staggered pex supply tubes- 35" (889 mm) and 36" (914 mm) long.
- Standard 3/8" (10 mm) compression gasket fittings.

WARRANTY

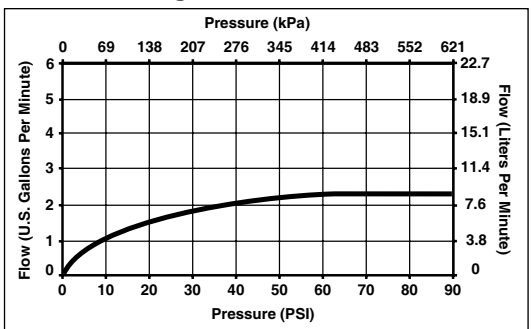
- Lifetime Faucet and Finish Limited Warranty to the original consumer purchaser to be free from defects in material and workmanship.
- 5 Year Limited Warranty for usage in all industrial, commercial and business applications.



COMPLIES WITH:

- ASME A112.18.1 / CSA B125.1
- Indicates compliance to ICC/ANSI A117.1
- CSA Certified

Verified compliant with .25% weighted average Pb content regulations



▲ Designate Proper Finish Suffix

Delta reserves the right (1) to make changes in specifications and materials, and (2) to change or discontinue models, both without notice or obligation. Dimensions are for reference only. See current full-line price book or www.specselect.com for finish options and product availability.
 DSP-K-400-DST Rev. B



55 E. 111th Street, Indianapolis, Indiana 46280
 395 Matheson Blvd. E., Mississauga, On L4Z 2H2
 © 2009 Masco Corporation of Indiana