



## Pre-Rinse Faucets

CER-TECK® 102 mm (4") Center Deckmount Base  
Faucet

**Model No: 55C1313**

### COMPLIES WITH:

- CSA certified.
- Complies to ASME A112.18.1
- IAPMO listed
- (Contact Delta Representative for State and/or Local Approvals)
- 3 " lever blade handle (ADA)ADA compliant and meets Handicapped Accessibility Standard ASME A117.1 of less than 5 lbs. operating force



### SPECIFICATION:

- 102mm(4") center two handle DECKMOUNT pre-rinse faucet
- Cast brass body
- Inlet check tails to prevent crossflow
- Polish chrome plated finish
- CER-TECK® ceramic structures
- 90% flow with first 1/4 turn of operation
- Positive shutoff even in poor water conditions
- Handle#: 3 - 76 mm (3") Lever Blade Handles-ADA Compliant-Metal-Color indexed-Vandal Resistant screws
- Self Close Pre-Rinse Spray with spring loaded stainless steel hose w/wall bracket & spray head hook

### OPERATION:

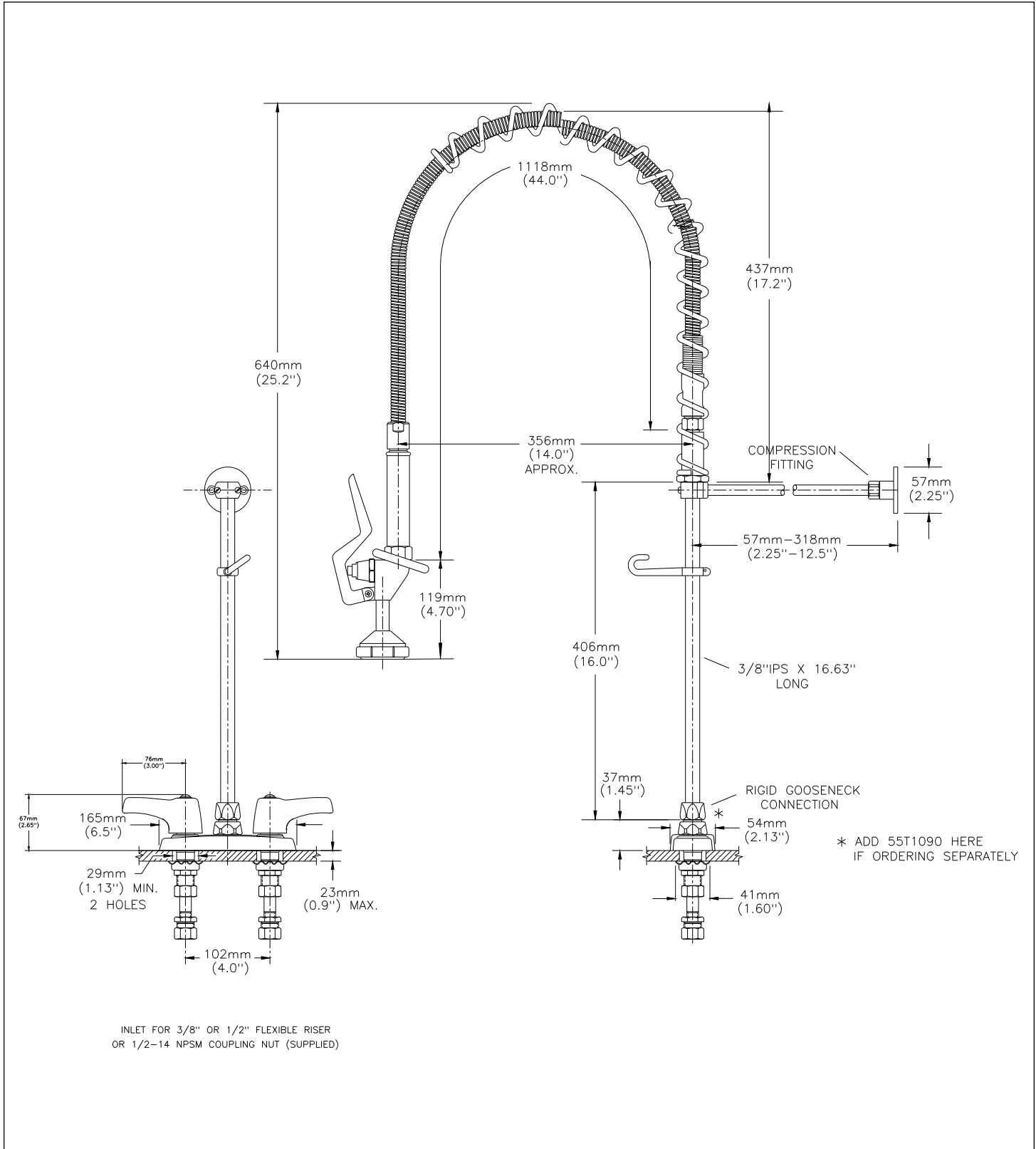
- Not Available

***(Dimensional drawing on following page)***

Delta reserves the right (1) to make changes to specifications and materials, and (2) to change or discontinue models, both without notice or obligation. Dimensions are for reference. Measurement may vary plus or minus 6mm(0.25"). Mounting locations are suggested only. Check with local codes for requirements in your area.

Delta Faucet Company - 55 East 111th St. - Indianapolis, Indiana, USA 46280 - (317) 848-1812  
Delta Faucet Canada - 395 Matheson Blvd E - Mississauga, Ontario, Canada L4Z 2H2 - (905) 712-3030

Model No: 55C1313



Delta reserves the right (1) to make changes to specifications and materials, and (2) to change or discontinue models, both without notice or obligation. Dimensions are for reference. Measurement may vary plus or minus 6mm(0.25"). Mounting locations are suggested only. Check with local codes for requirements in your area.

Delta Faucet Company - 55 East 111th St. - Indianapolis, Indiana, USA 46280 - (317) 848-1812  
 Delta Faucet Canada - 395 Matheson Blvd E - Mississauga, Ontario, Canada L4Z 2H2 - (905) 712-3030