

Faucet with Third Valve Connection

TECK®



Specification: (example)

- Two handle widespread lavatory faucet **with third valve foot pedal connection**
- 203mm (8") centers **CAST BRASS** bodies
- Polished chrome plated finish trim
- TUF-TECK institutional structures
- 3/8" IPS **BRASS PIPE** Rigid/Swivel Gooseneck Spout
- Metal hold-down package
- 102mm (4") ADA Compliant, color indexed metal blade handles with vandal resistant screws and ...
- with ... (add outlet required)



Engineer/Architect Approval

Model Specified:

Approval:

Date:

DESCRIPTION	PRODUCT NO.			
Faucet with Third Valve Connection	54T2	4	0	



HANDLE	NOT APPLICABLE	OUTLET
0 <input type="checkbox"/>	0 <input checked="" type="checkbox"/>	0 <input type="checkbox"/>
1 <input type="checkbox"/>	1 <input type="checkbox"/>	1 Vandal Resistant 1.5 USGPM (5.7 L/min.) Laminar w/Antimicrobial By AglON™ <input type="checkbox"/>
2 <input type="checkbox"/>	2 <input type="checkbox"/>	2 Smooth End, Laminar Flow Control in Base of Gooseneck Spout 1.1 USGPM (4.2L/min.) <input type="checkbox"/>
3 <input type="checkbox"/>	3 <input type="checkbox"/>	3 <input type="checkbox"/>
4 102mm (4") Blade Handles, Sanitary Hoods <input checked="" type="checkbox"/>	4 <input type="checkbox"/>	4 <input type="checkbox"/>
5 <input type="checkbox"/>	5 <input type="checkbox"/>	5 <input type="checkbox"/>
6 <input type="checkbox"/>	6 <input type="checkbox"/>	6 <input type="checkbox"/>
7 <input type="checkbox"/>	7 <input type="checkbox"/>	7 <input type="checkbox"/>
8 <input type="checkbox"/>	8 <input type="checkbox"/>	8 <input type="checkbox"/>
9 <input type="checkbox"/>	9 <input type="checkbox"/>	9 <input type="checkbox"/>

See Page 9.C.1 for **Optional Rigid/Swivel Spouts**. Refer to www.specselectonline.com for individual models.

Flowrates are at 60 PSI. Note: Use this page front and back as a product submittal sheet.

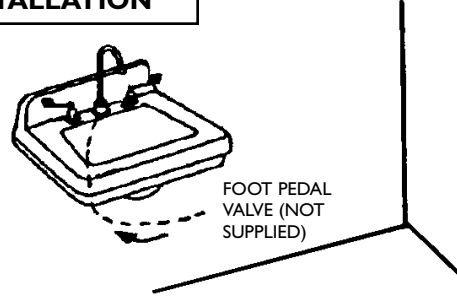
Delta reserves the right (1) to make changes in specifications and materials, and (2) to change or discontinue models, both without notice or obligation. Dimensions are for reference only. See current full-line price book or www.specselectonline.com for finish options and product availability.

Approvals:

- CSA certified
- Lever Blade Handles
ADA Compliant and meet
Handicapped Accessibility Standard ASME A117.1 of less than 5 lbs. operating force.
- IAPMO listed

(Contact Delta Representative for State and/or Local Approvals.)

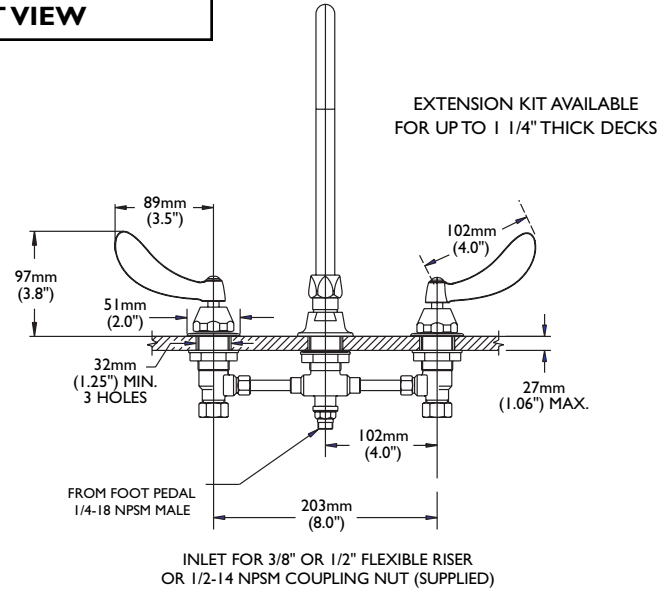
TYPICAL INSTALLATION



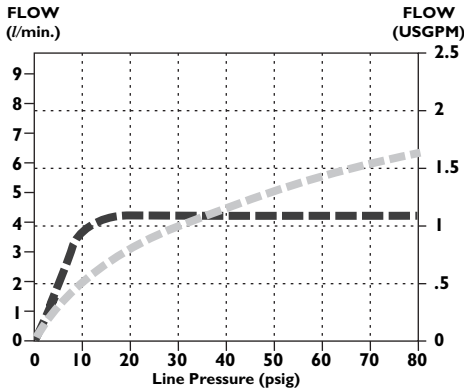
FOOT PEDAL VALVE (NOT SUPPLIED)

WATER FLOW ABLE TO BE CONTROLLED ON SINK DECK AS WELL AS BY A THIRD VALVE LOCATED ELSEWHERE.

FRONT VIEW

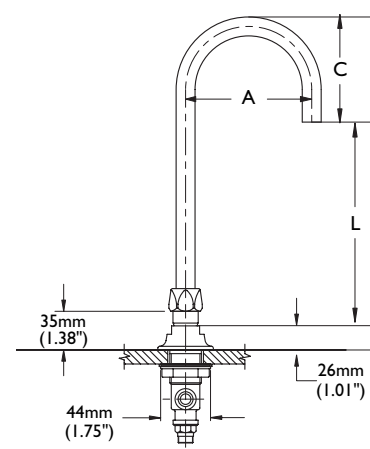
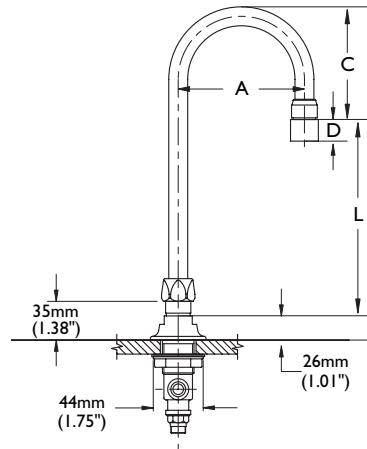


FLOWRATE vs PRESSURE



54T2401

54T2402



OUTLET NO.	"D"	
	mm	in.
I	18	0.69

GOOSENECK SPOUT ASSEMBLIES

Product No.	SPOUT/OUTLET	DIMENSIONS					
		"A"	"C"	"L"			
		mm	in.	mm	in.	mm	in.
54T2401	Gooseneck-Standard (R2) for Outlet #1	114	4.5	104	4.1	170	6.7
54T2402	Gooseneck-Standard (R2) for Outlet #2	114	4.5	97	3.8	178	7.0

Note: Measurements may vary ± 6mm (0.25")

See Page 9.C.1 for additional optional spouts.

Refer to www.specselectonline.com for individual models

Note: Use this page front and back as a product submittal sheet.