

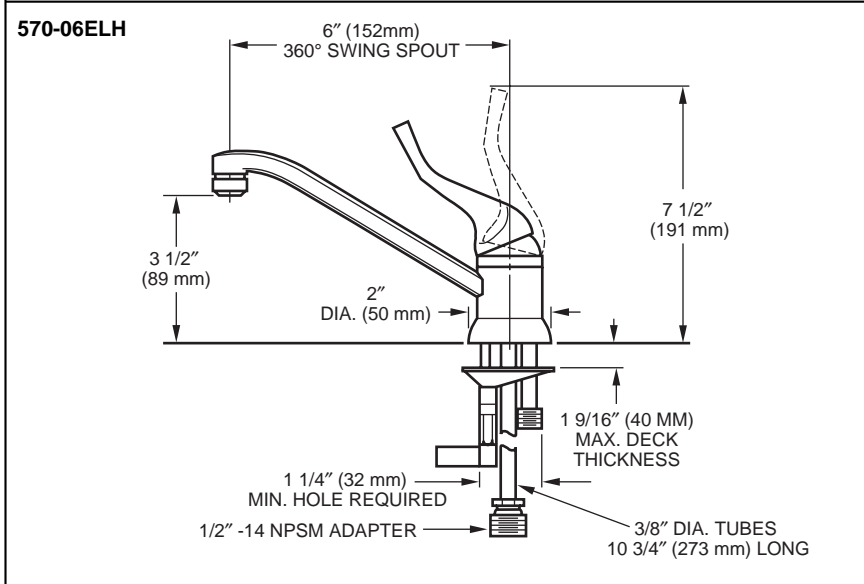
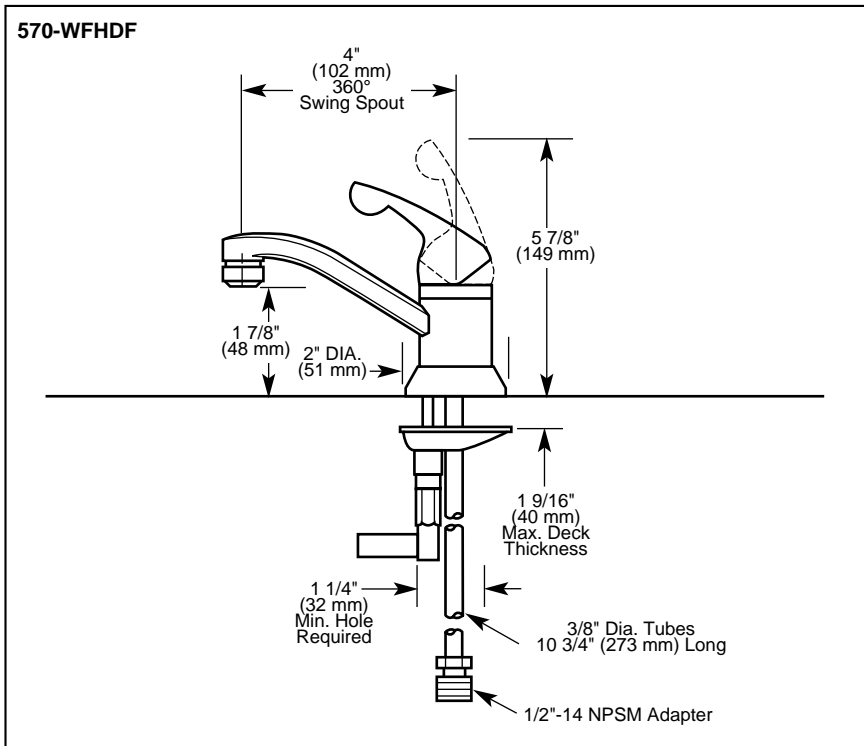
- Single Handle
- Deck Mount
- 1 Hole Sink Applications

STANDARD SPECIFICATIONS:

- Single handle lavatory deck faucets for exposed mounting on one hole sinks.
- Solid brass fabricated body.
- 2.2 gpm (8.3 L/min) vandal resistant aerator.
- 4" (102 mm) long spout swings 360°. (570-WFHDF)
- 6" (152 mm) long spout swings 360°. (570-06ELH)
- Vandal resistant lever handle. Red/blue colored graphics indicate hot/cold temperature.
- Control mechanism shall be of the rotating stainless steel ball type with replaceable non-metallic seats operating in stainless steel lined sockets.
- Control handle shall return to the neutral position when valve is turned off.
- Adjustable handle limit stop.
- All operating parts shall be replaceable from the top.
- Models have 3/8" O.D. copper supply tubes with 1/2"-14 NPSM adapters.
- Available Options for Field Conversion:
 - 6" (152 mm) Long Swing Spout. Order RP9633.
 - 8" (203 mm) Long Swing Spout. Order RP5654.
 - 10" (254 mm) Long Swing Spout. Order RP5653.
 - 12" (305 mm) Long Swing Spout. Order RP6042.
 - 6" (152 mm) Long Elbow Handle with Red/Blue Graphics to Indicate Hot/Cold Temperatures. Order RP5645.

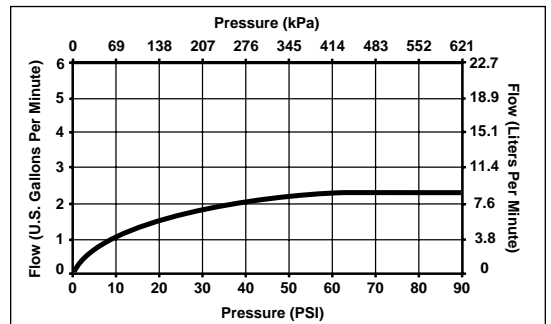
Submitted Model No.: _____

Specific Features: _____



COMPLIES WITH:

- ASME A112.18.1
- CSA B125
- Indicates ADA compliance to CABO/ANSI A117.1
- IAPMO Listed
- CSA Certified



Delta reserves the right (1) to make changes in specifications and materials, and (2) to change or discontinue models, both without notice or obligation. Dimensions are for reference only. See current full-line price book or www.specselectonline.com for finish options and product availability.