

LAVATORY FAUCETS

- Arzo® Series
- Single Handle Deck Mount
- 1 or 3 Hole Sink Applications

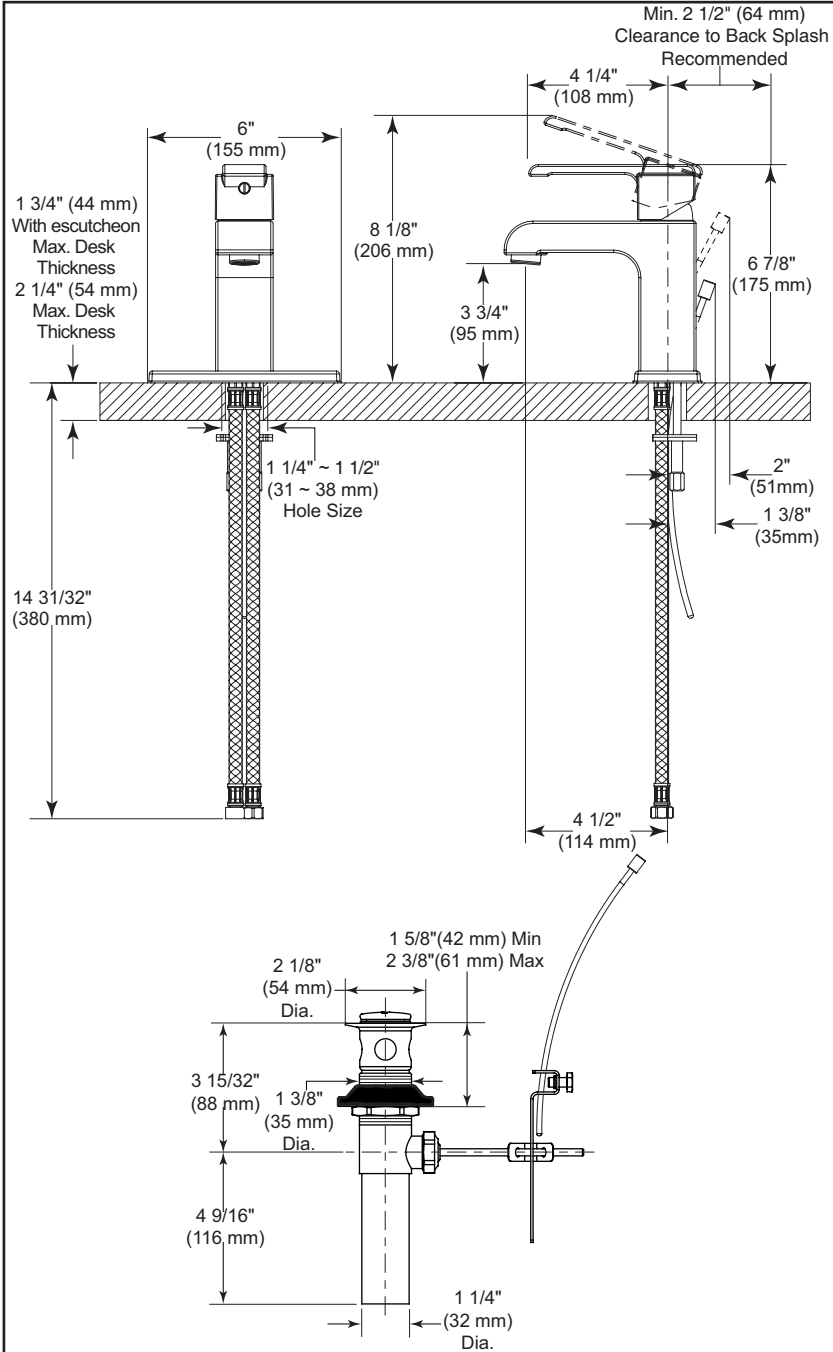
Submitted Model No.: _____
 Specific Features: _____

STANDARD SPECIFICATIONS

- Ceramic cartridge with high temperature rotational limit stop.
- 1 or 3 hole installation.
- 4 1/2" (114 mm) long, 6 7/8" (175 mm) high, rigid spout.
- Maximum 2 1/4" (54 mm) deck thickness.
- Colour coded plug button on handle for hot/cold identification.
- Handle 4 1/4" (108 mm) lever handle - ADA compliant - color indexed.
- Metal drain pop-up type fitting with plated flange and stopper.
- Maximum flow rate 1.5 gpm @ 60 PSI.

WARRANTY

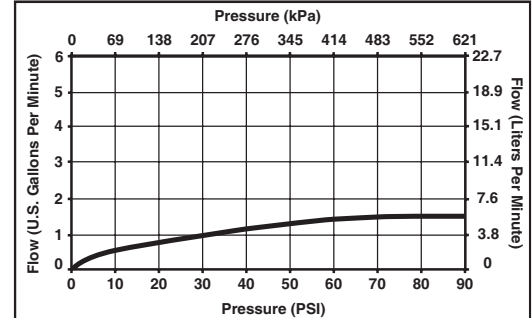
- Lifetime Faucet and Finish Limited Warranty to the Original consumer purchaser to be free from defects in material and workmanship.
- 5 Year Limited Warranty for usage in all Industrial, Commercial and business applications.



COMPLIES WITH

- ASME A112.18.1 / CSA B125.1
- ASME A112.18.2 / CSA B125.2
- IAPMO Listed
- NSF 61
- Indicates compliance to ICC / ANSI A117.1
- EPA WaterSense
- CSA Certified

Verified compliant with 0.25% weighted average Pb content regulations.



55 E. 111th Street, Indianapolis, Indiana 46280
 395 Matheson Blvd. E., Mississauga, ON L4Z 2H2
 © 2009 Masco Corporation of Indiana

▲ Designate proper finish suffix

Delta reserves the right (1) to make changes in specifications and materials, and (2) to change or discontinue models, both without notice or obligation. Dimensions are for reference only. See full-line price book or www.specselect.com for finish options and product availability.