

H₂OPTICS™

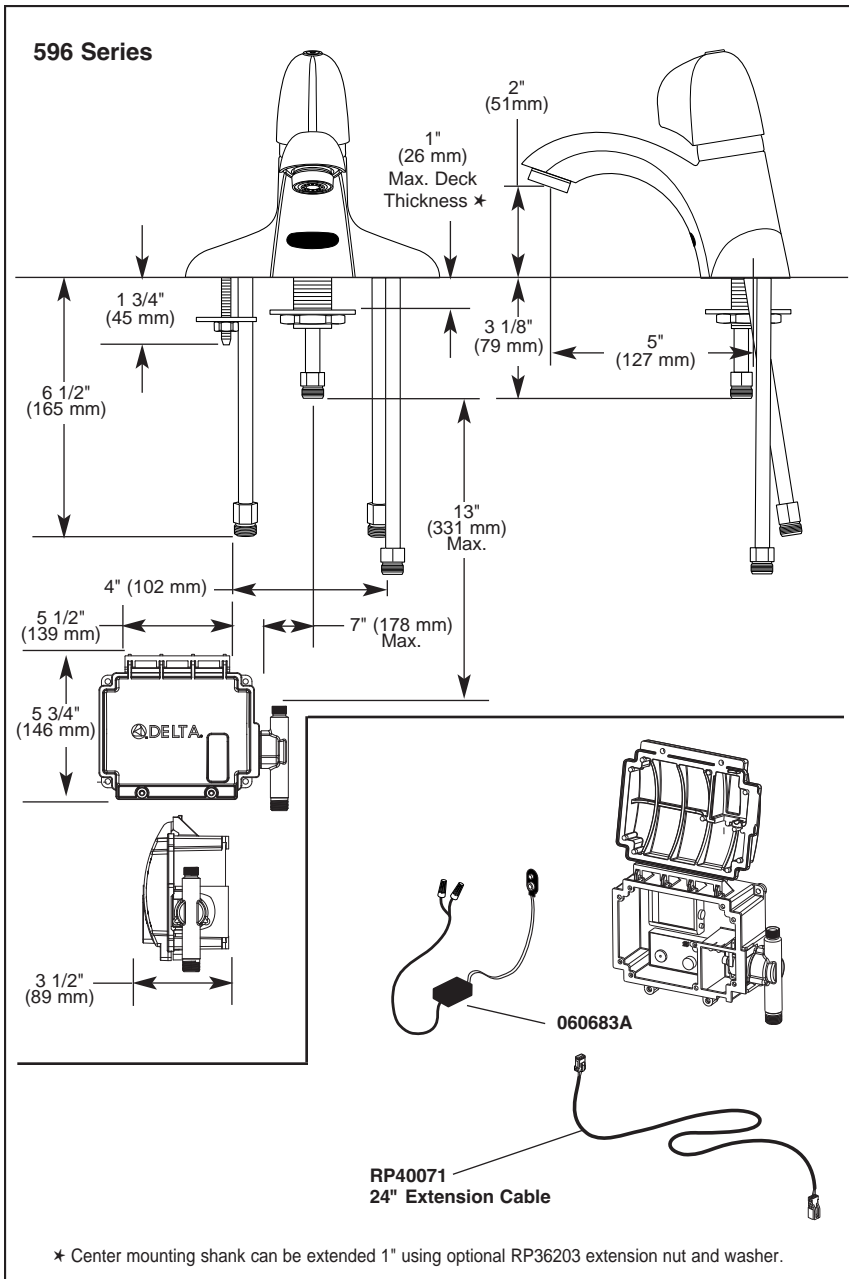
- Innovations® Mixing/Sensing Electronic Faucet
- Deck Mount
- 3 Hole Sink Applications
- Electronic Battery Operated
- Convertible to Hardwire Operation

STANDARD SPECIFICATIONS:

- ADA compliant, above deck temperature control with adjustable handle limit stop.
- Hands free (touchless) on/off activation.
- H₂OPTICS™ technology. No external adjustments required.
- All metal faucet construction.
- No lift rod hole.
- Three hole installation (4" centerset).
- .5 gpm (1.9 L/min) vandal resistant spray outlet.
- 1.5 gpm (5.94 L/min) vandal resistant spray outlet available. (RP31705)
- Powered by 4 "AA" batteries. Expected battery life of approximately 1 year with normal usage.
- Low battery audible beep will activate after faucet shuts off when approximately 1500 cycles remain.
- Operates with a 45 second maximum run time. Will reset once obstruction is removed.
- Serviceable filter screen upstream of the valve.
- Convertible to Hardwire using standard transformer (120VAC to 24VAC) and Delta converter (24VAC to 6.4VDC) (060683A).

Submitted Model No.: _____

Specific Features: _____

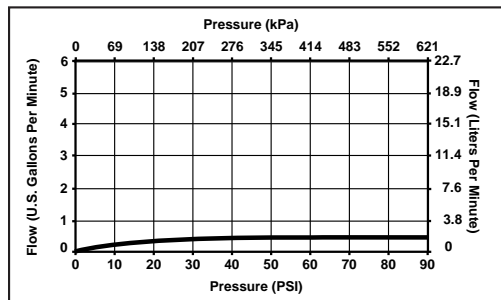


NOTE: For optimum performance of this product, we recommend a system pressure between 20 and 80 PSI static. This product will operate up to a maximum of 125 PSI static per ANSI and CSA requirements. However, we do not recommend pressures above 80 PSI. Thermal expansion or leaking pressure reducing valves may require use of expansion tanks or relief valves to ensure your system never exceeds its maximum intended pressure setting.



COMPLIES WITH:

- ASME A112.18.1
- CSA B125
- Indicates ADA compliance to ICC/ANSI A117.1
- U.S. Patent # 6,826,455



Delta reserves the right (1) to make changes in specifications and materials, and (2) to change or discontinue models, both without notice or obligation. Dimensions are for reference only. See current full-line price book or www.specselect.com for finish options and product availability.

AC Converter, Hard Wire and Plug-In Transformer

HDF®



RP32508—Hard Wire Transformer Specifications

General: Supplies power for up to 10 Delta Commercial 590, 591 and 596 Series electronic units already converted to hard wire

Input Voltage: 120 VAC @ 60 Hz

Output Voltage (unloaded): 24 VAC \pm 3% @ 20 VA

Current Draw: 800 MA

Operating Temperature Range: 130° C Maximum Temperature

Physical Connections: Universal Mounting Clip

Wire Size: #18 AWG

Wire Length: 11.75"

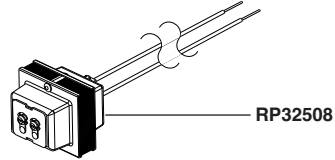
Wire Ends: Stripped (Black/White)

Terminals: Screw Type #6 Universal Pan Head

Safety Approval: UL Listed Class 2

CSA Certified

Class B Insulation System



RP32856—Plug-In Transformer Specifications

General: Supplies power for up to 10 Delta Commercial 590, 591 and 596 Series electronic units already converted to hard wire

Input Voltage: 120 VAC @ 60 Hz

Output Voltage (unloaded): 24 VAC \pm 5% @ 19.2 VA

Current Draw: 800 MA

Operating Temperature Range: -10° C to 40° C

Physical Connections: Plug-In Connection

Terminals: Screw Type #6 Universal Pan Head

Safety Approval: UL Listed

CSA Certified



RP32856

060683A—Hard Wire Converter Specifications

General: Converts Delta Commercial 590, 591 and 596 Series battery electronic faucets to hard wire

Input Voltage: 24 VAC @ 60 Hz

Output Voltage: 6.4 VDC \pm 5%

Current Draw: 600 MA

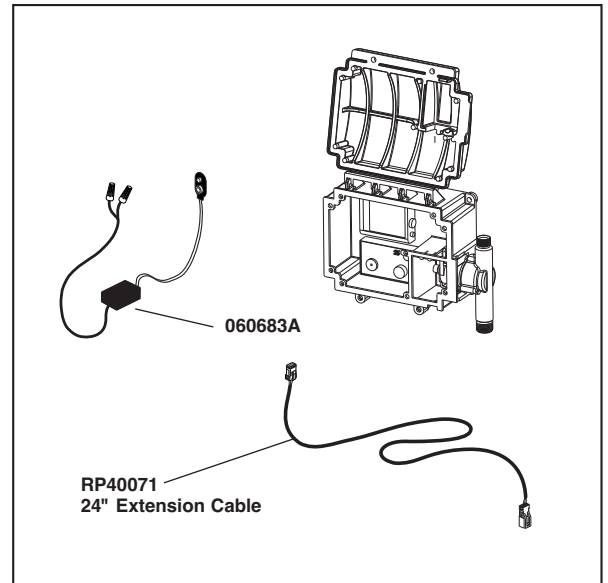
Operating Temperature Range: -55° C to 85° C

Physical Connections: #22 AWG Stripped Primary Connection / 9 VDC Snap Secondary Connection

Wire Size: #22 AWG

Wire Length: 18.0"

Wire Ends: PVC jacket removal should be 2.25" \pm .50" and strip length of wires should be .375" typical



Delta reserves the right (1) to make changes in specifications and materials, and (2) to change or discontinue models, both without notice or obligation. Dimensions are for reference only. See current full-line price book or www.specselect.com for finish options and product availability.