

Electronic Proximity® Sensing Technology Lavatory Faucets

TECK®
COMMERCIAL

DELTA®

SPECIFICATION: (example)

- Deck mount electronic lavatory faucet
- **Cast** chrome plated brass spout
- **Proximity® Sensing Technology**
- Hardwire units supplied with 24 VAC to 6 VDC converter (Transformer required – specify separately)
- Battery units supplied with 4 'C' cell batteries
- Surface mount control box
- Mixing valve required (Order separately)

600T & 601T SERIES

• 1.5 gpm (5.7 L/min) Laminar Outlet

- 600T040** Hardwire
- 601T040** Battery Operated

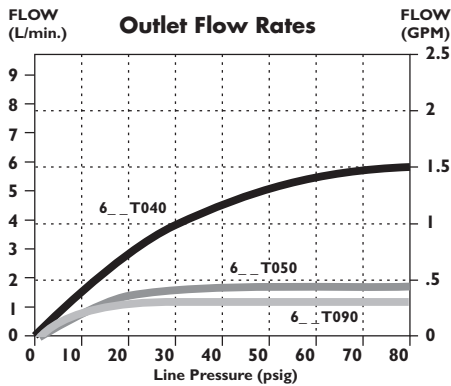
• 0.5 gpm (1.9 L/min) Laminar Outlet

- 600T050** Hardwire
- 601T050** Battery Operated



• 0.35 gpm (1.32 L/min) Non-Aerating Spray Outlet

- 600T090** Hardwire
- 601T090** Battery Operated

FLOW RATE vs PRESSURE



Approvals:

- CSA certified
- Complies to ASME A112.18.1/CSA B125.1
-  Indicates compliance to ICC/ANSI A117.1
-  1.5 GPM (5.7 L/min) outlet option is EPA WaterSense listed

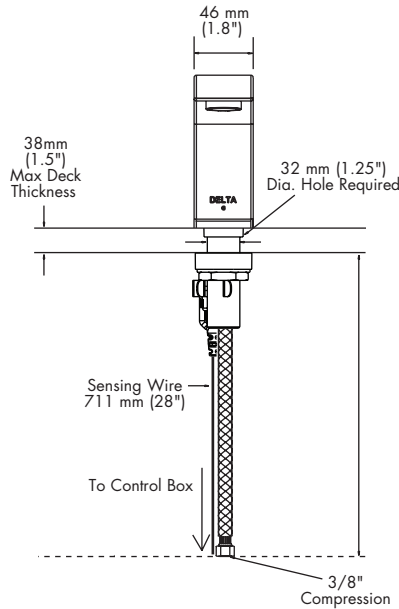
Verified compliant with 0.25% weighted average Pb content regulations

(Contact Delta Representative for State and/or Local Approvals.)

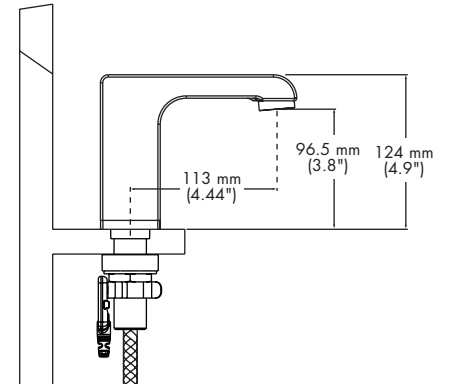
Patented

600T & 601T SERIES ELECTRONIC DECK MOUNT LAVATORY FAUCET

FRONT VIEW

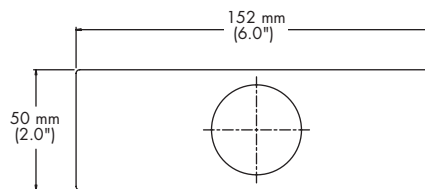


SIDE VIEW

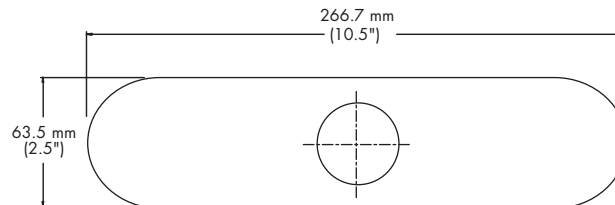


OPTIONAL COVERPLATES

062021A 102 mm (4.0") COVERPLATE Reduces Max. Deck Thickness to 28 mm (1 1/8")



061119A 204 mm (8.0") COVERPLATE Reduces Max. Deck Thickness to 28 mm (1 1/8")



Note: Measurements may vary ± 6mm (0.25")

Batteries included on all battery models.
Refer to www.specselect.com for individual models.

Flow Rates are at 60 PSI.
Note: Use all pages as product submittal sheets.

Delta reserves the right (1) to make changes in specifications and materials, and (2) to change or discontinue models, both without notice or obligation. Dimensions are for reference only. See current full-line price book or www.specselect.com for finish options and product availability.

DSP-600T Rev. K



TECK[®]
COMMERCIAL

Electronic Proximity[®] Sensing Technology Lavatory Faucets

600T & 601T SERIES

• 1.5 gpm (5.7 L/min) Laminar Outlet

- 600T040 Hardwire
- 601T040 Battery Operated

• 0.5 gpm (1.9 L/min) Laminar Outlet

- 600T050 Hardwire
- 601T050 Battery Operated

• 0.35 gpm (1.32 L/min) Non-Aerating Spray Outlet

- 600T090 Hardwire
- 601T090 Battery Operated

OPERATION:

- Hands free (touchless) operation.
- No visible sensor, the spout is the sensor.
- Water flows when sensing is activated.
- Water flow stops upon de-activation of sensing.
- Adjustable sensing distance factory set to 76 mm (3").
- Low battery audible beep (for battery models only) will activate after faucet shuts off when approximately 1500 cycles remain.
- Adjustable auto shut off feature. Factory set to 45 seconds.
- Metering mode with selectable flow times of 7 seconds to 4 minutes, factory set off.
- Periodic Rinse feature, time adjustable in 6 hour increments up to 2 days. Selectable rinsing lengths from 10 to 180 seconds. Factory set off.

NOTE 1: For optimum performance of this product, we recommend a system pressure between 20 and 80 PSI static. This product will operate up to a maximum of 125 PSI static per ANSI and CSA requirements. However, we do not recommend pressures above 80 PSI. Thermal expansion or leaking pressure reducing valves may require use of expansion tanks or relief valves to ensure your system never exceeds its maximum intended pressure setting.

NOTE 2: Designed for routine 180°F (82°C) disinfection cycles up to 10 minutes.

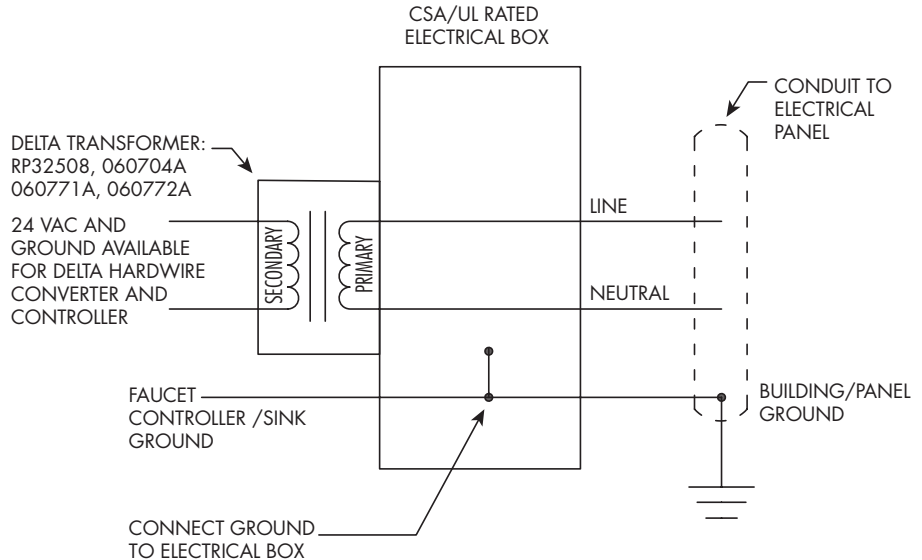
NOTE 3: Use 3-conductor 18AWG wire between transformer and hardwire converter/driver board earth ground.

NOTE 4: Use Delta Commercial approved transformers and mount the transformer a minimum of 6 inches away from the Delta driver board enclosure.

NOTE 5: Refer to Proximity Application Notes for installation best practices, proper grounding and wiring diagrams on www.specselect.com.

600T & 601T SERIES ELECTRONIC DECK MOUNT LAVATORY FAUCET

ELECTRICAL SCHEMATICS



Available Option for Field Conversion

- 060651A
3 Position Switch
See DSP-ELACC for
detailed specification.

Brilliance[®] Stainless Finish

- Add suffix "-SS" to Product Number. Available on single hole models and 062021A only.

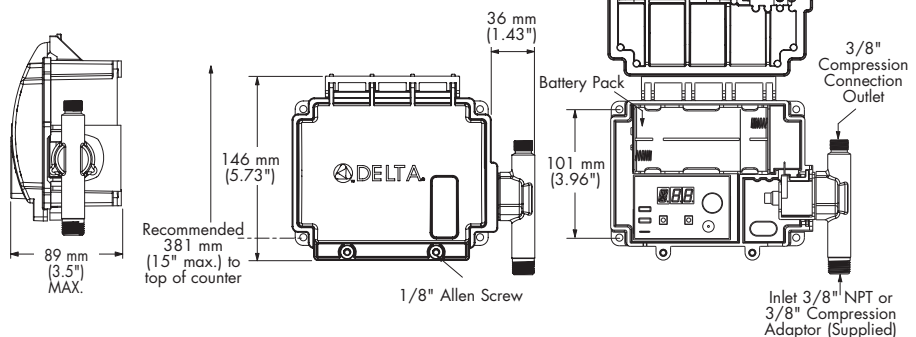
VANDAL PROOF SURFACE MOUNT HOUSING

Battery Operated – Box shown.

Hardwire Version comes complete with Watertight Connector and Hardwire Converter 24VAC to 6VDC.

Hardwire with Battery Backup

- Add suffix "-BB" to Product Number. Available on Hardwire models only. See DSP-BB for detailed specification.



Note: Measurements may vary ± 6 mm (0.25")

Batteries included on all battery models.
Refer to www.specselect.com for individual models.

Flow Rates are at 60 PSI.
Note: Use all pages as product submittal sheets.