

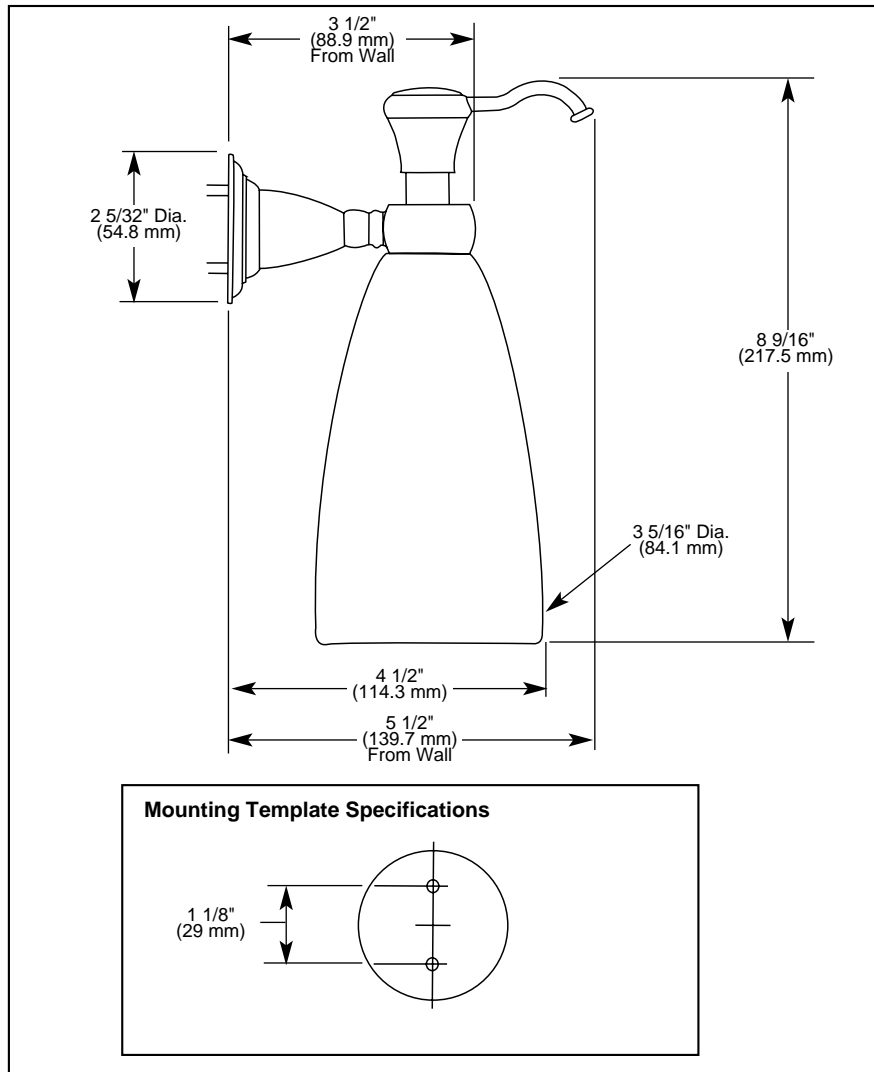
DELTA[®]

ACCESSORIES

- Victorian[®] Series
- Wall Mounted Soap Dispenser

Submitted Model No.: _____

Specific Features: _____



STANDARD SPECIFICATIONS:

- Wood blocking is preferable behind all wall surfaces. If wood blocking is not available, the following fasteners are suggested: Tile/Masonry-Plastic or lead Anchors Plaster/drywall-Toggle bolts.
- Mounting hardware and mounting instructions included with product.

WARRANTY

- Lifetime Faucet and Finish Limited Warranty to the original consumer purchaser to be free from defects in material and workmanship.
- 5 Year Limited Warranty for usage in all industrial, commercial and business applications.



Indianapolis, Indiana 46280
A Division of Masco Corporation of Indiana
© 2006 Masco Corporation of Indiana

Delta reserves the right (1) to make changes in specifications and materials, and (2) to change or discontinue models, both without notice or obligation. Dimensions are for reference only. See current full-line price book for finish options and product availability.