

SPECIFICATION: (example)

- **HEAVY-DUTY CAST BRASS**
single hole mount faucet
- Polished chrome plated finish
- Vandal Resistant Brass Handle activator
- Delta® metering slow close cartridge
- Two Body mounted stainless steel Anti-Rotation locking pins
- Vandal resistant spout outlet
- **Total flow not to exceed 0.25 gallon per handle activation**



87T104 With Push Button

87T105 With Lever Handle
ADA compliant requires less than 5 lbs. operating force



SPECIFICATION: (example)

86T1104

- Single hole mount faucet
- Polished chrome plated finish
- Vandal Resistant brass push button
- Delta® metering slow close cartridge
- Vandal resistant spout outlet
- **Total flow not to exceed 0.25 gallon per handle activation**

86T0104

- Same as 86T1104 but with (86T151) 4" cast brass, polished chrome plated coverplate



SPECIFICATION: (example)

- **HEAVY-DUTY CAST BRASS**
single hole mount faucet
- Polished chrome plated finish
- Vandal Resistant Brass Handle activator
- Delta® metering slow close cartridge
- Two Body mounted stainless steel Anti-Rotation locking pins
- Mixing tee and inlet checks
- Vandal resistant spout outlet
- **Total flow not to exceed 0.25 gallon per handle activation**

87T110 With Push Button

87T111 With Lever Handle
ADA compliant requires less than 5 lbs. operating force



COVERPLATE

SPECIFICATION: (example)

- 87T151** with center faucet hole, two holddown shanks
- **HEAVY DUTY FORGED CAST BRASS**
- 102mm (4") center
- Polished chrome plated finish
- With locating holes for 87T104, 87T105, 87T110 and 87T111 metering faucets with anti-rotation locking pins
- **For secure Public Washroom Faucet/Fixture Installations**



Engineer/Architect Approval

Model Specified:

Approval:

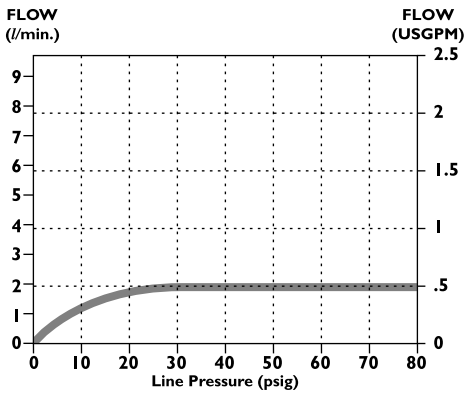
Date:

Approvals:

- CSA certified
- Complies to ASME A112.18.1
- Lever Handle ADA Compliant and meets Handicapped Accessibility Standard ASME A117.1 of less than 5 lbs. operating force.
- IAPMO listed

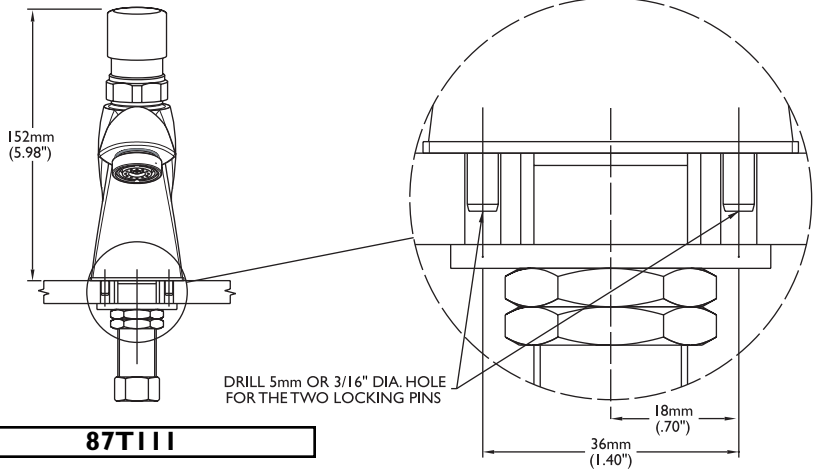
(Contact Delta Representative for State and/or Local Approvals.)

FLOWRATE vs PRESSURE

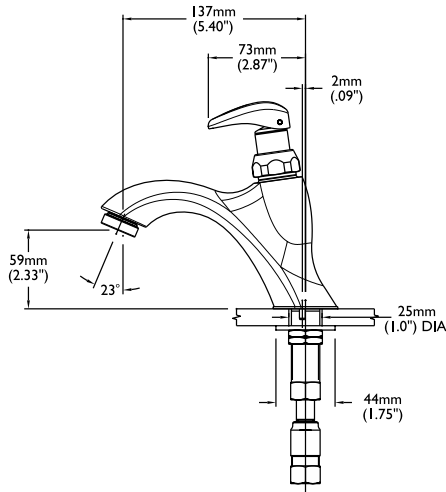


Spout Outlets
— Low Flow Outlet No. 5

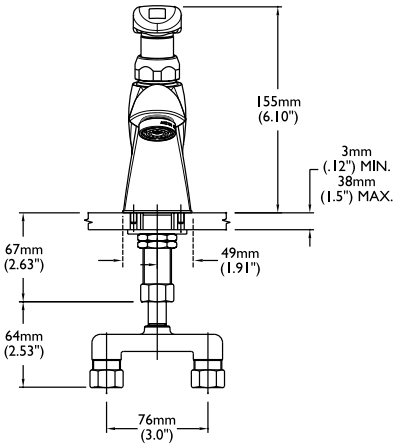
87TI04 - 87T111 - LOCKING PINS



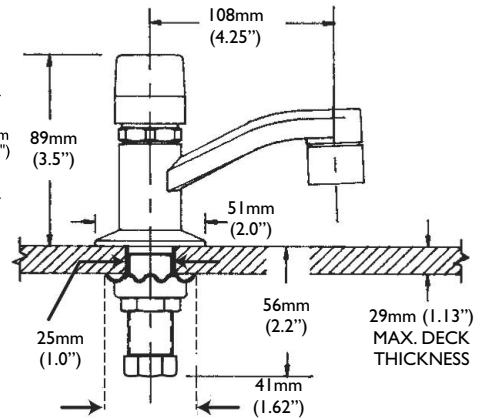
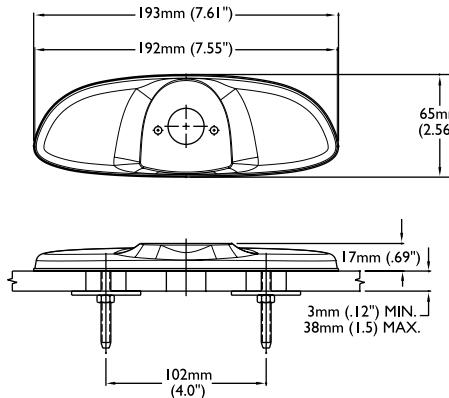
87T111



87T151



86T1104



INLETS - 1/2" MIP/Coupling Nuts
Note: Measurements may vary ± 6mm (0.25")

Refer to www.specselectonline for individual models.

Note: Use this page front and back as a product submittal sheet.