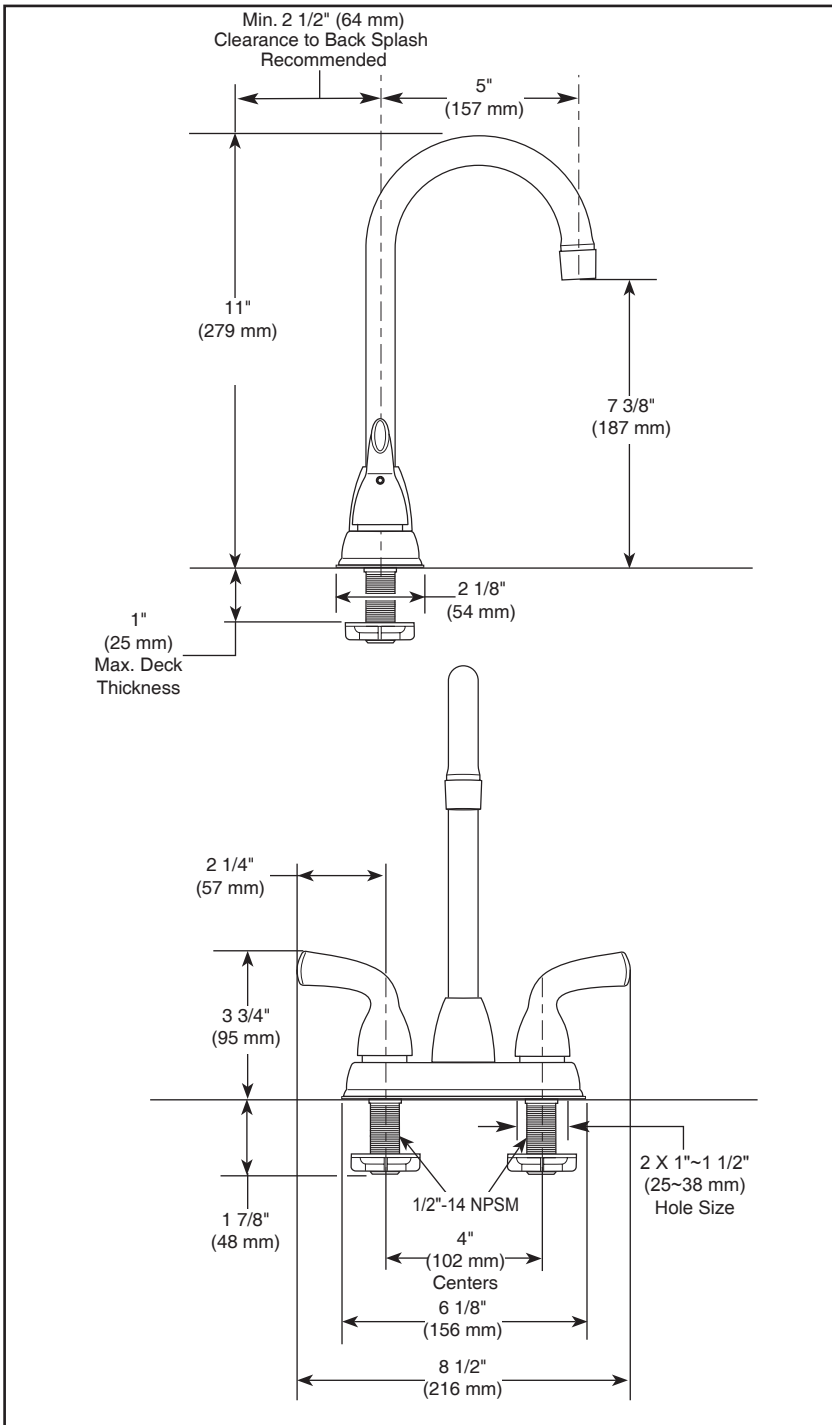


Submitted Model No.: _____
 Specific Features: _____



▲ Designate proper finish suffix

Delta reserves the right (1) to make changes in specifications and materials, and (2) to change or discontinue models, both without notice or obligation. Dimensions are for reference only. See full-line price book or www.specselect.com for finish options and product availability.



BAR SINK FAUCET

- Two Handle, Deck Mount
- 2 and 3 Hole Sink Applications
- 4" Centerset

STANDARD SPECIFICATIONS:

- Solid brass fabricated body.
- Two handle bar sink faucets for exposed mounting on 2 and 3 hole sinks with 4" centers.
- 4" (102 mm) centerset.
- 5" (157 mm) long, 11" (279 mm) high spout, swings 360°.
- 1/4 turn handle stops.
- All operating parts shall be replaceable from the top.
- Hot and cold stems are interchangeable.
- 1/2" -14 NPSM threaded male inlet shanks.
- Control mechanism is a rotating cylinder type with stainless steel plate and 90° rotating, with replaceable non-metallic seats.

WARRANTY

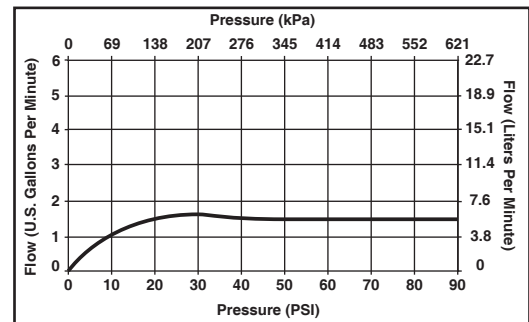
- Lifetime Faucet and Finish Limited Warranty to the Original consumer purchaser to be free from defects in material and workmanship.
- 5 Year Limited Warranty for usage in all Industrial, Commercial and Business applications.



COMPLIES WITH

- ASME A112.18.1 / CSA B125.1
- Indicates compliance to ICC / ANSI A117.1
- CSA Certified

Verified compliant with 0.25% weighted average Pb content regulations.



55 E. 111th Street, Indianapolis, Indiana 46280
 350 South Edgeware Road, St. Thomas, ON N5P 4L1
 © 2011 Masco Corporation of Indiana