



Electronic Flush Valves & Retrofit Kits

Electronic Exposed Valve for Washdown Urinal - without vacuum breaker - for RETROFIT (without stop & inlet) - Battery Operated

Model No: DEMD-86405

COMPLIES WITH:

- CSA certified
- Complies to ASSE 1037
- ADA Compliant and meets Handicapped Accessibility Standard ASME A117.1 of less than 5 lbs. operating force.
- IAPMO pending
- (Contact Delta Representative for State and/or Local Approvals)



SPECIFICATION:

- INLETS - 1/2" FIP/Copper
- Kit to convert Delta 86T505 manual washdown urinal valve to electronic
- Exposed infrared electronic valve
- Solid brass construction
- Attaches to union inlet stop from the manual 86T505 valve
- Outlet tube with spud flange and coupling nut
- Chrome Finish

OPERATION:

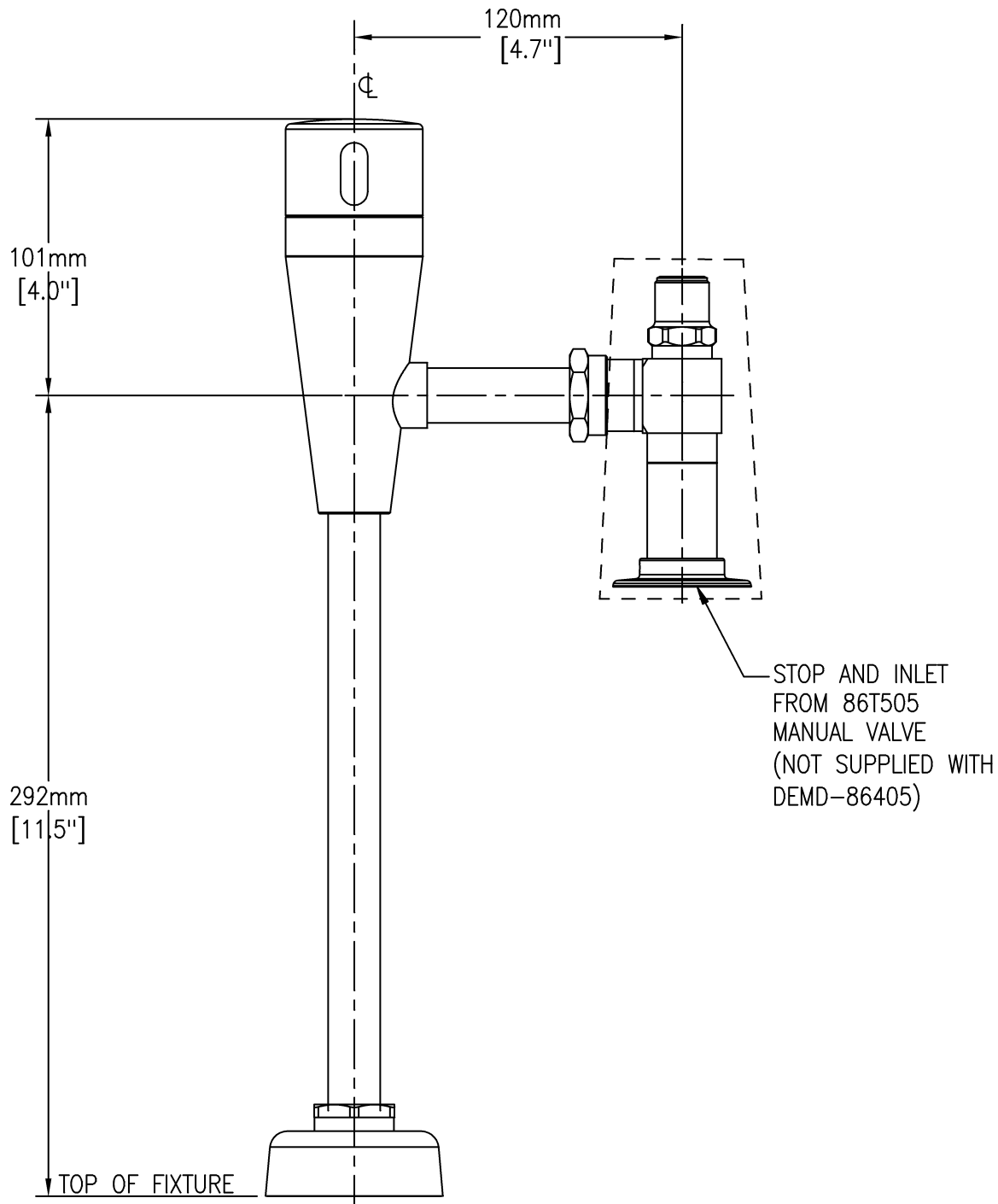
- Internally mounted 9V battery (supplied)
- Low battery level indicator (constant blinking of red light when user in range)
- Sensing range factory set at 21" (533 mm)
- Range field adjustable from 11.8" to 31.5" (300-800 mm) (manually or with Optional Remote Control # 060967A)
- Washdown volumes factory set at 0.5 USGPF (1.9 litres per flush) at 60 psi
- Volume field adjustable from 0.13 to 1.0 USGPF (0.5 to 3.8 litres per flush) ONLY WITH THE OPTIONAL REMOTE CONTROL # 060967A

(Dimensional drawing on following page)

Delta reserves the right (1) to make changes to specifications and materials, and (2) to change or discontinue models, both without notice or obligation. Dimensions are for reference. Measurement may vary plus or minus 6mm(0.25"). Mounting locations are suggested only. Check with local codes for requirements in your area. This spec was produced November 03, 2011.

Delta Faucet Company - 55 East 111th St. - Indianapolis, Indiana, USA 46280 - (317) 848-1812
Delta Faucet Canada - 395 Matheson Blvd E - Mississauga, Ontario, Canada L4Z 2H2 - (905) 712-3030

Model No: DEMD-86405



Delta reserves the right (1) to make changes to specifications and materials, and (2) to change or discontinue models, both without notice or obligation. Dimensions are for reference. Measurement may vary plus or minus 6mm(0.25"). Mounting locations are suggested only. Check with local codes for requirements in your area. This spec was produced November 03, 2011.

Delta Faucet Company - 55 East 111th St. - Indianapolis, Indiana, USA 46280 - (317) 848-1812
Delta Faucet Canada - 395 Matheson Blvd E - Mississauga, Ontario, Canada L4Z 2H2 - (905) 712-3030