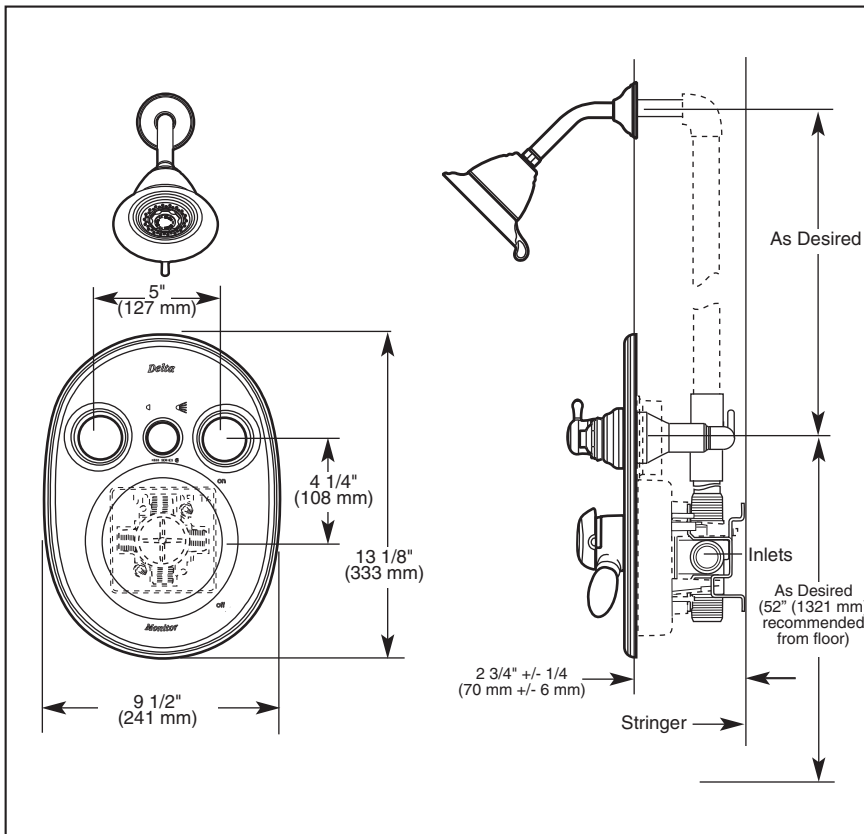
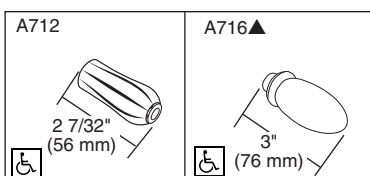


Submitted Model No.: _____

Specific Features: _____



▲ Designate proper finish suffix
 † Designates the accent color on split finish models.



TUB AND SHOWER JETTED SHOWER™ TRIM

- Victorian® Collection
- Shower, Jetted Shower and Extra Outlet

STANDARD SPECIFICATIONS:

- Monitor® 18 Series pressure balanced bath mixing valve with Scald-Guard®.
- Maintains a balanced pressure of hot and cold water even when a valve is turned on or off elsewhere in the system.
- Must also order R18222-XO rough valve body.
- Back to back installation capability.
- Lever volume control handle; temperature adjustment dial.
- Red and Blue graphics indicate hot/cold temperature adjustment.
- Field adjustable to limit handle rotation into hot water zone.
- All parts are replaceable from the front of the valve.
- Maximum dial rotation adjustable between 90° and 180°.
- Adjusts for up to 1/2" wall thickness.
- Six function diverter; 3 individual positions, 3 shared positions.

WARRANTY

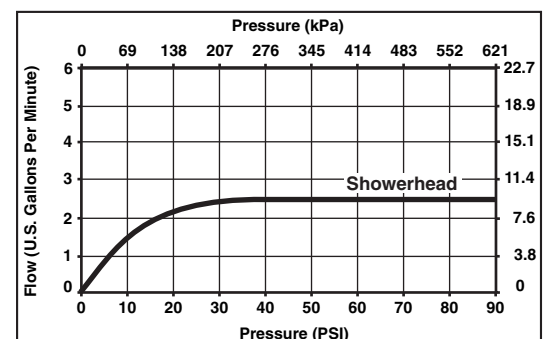
- Lifetime Faucet and Finish Limited Warranty to the original consumer purchaser to be free from defects in material and workmanship.
- 5 Year Limited Warranty for usage in all industrial, commercial and business applications.



COMPLETE VALVE COMPLIES WITH:

- ASME A112.18.1 / CSA B125.1
- ASSE 1016

☐ Indicates compliance to ICC/ANSI A117.1



55 E. 111th Street, Indianapolis, Indiana 46280
 395 Matheson Blvd. E., Mississauga, ON L4Z 2H2
 © 2010 Masco Corporation of Indiana