

Electronic Faucet 1500T & 1501T Series

TECK[®]
COMMERCIAL

DELTA[®]

Specification: (example)

- **Battery** (4 'C' cell) or **Hardwire** (24 VAC) infrared electronic handwash system
- H₂OPTICS™ technology – no external adjustments required
- Chrome plated one piece cast main body with integral sensor and rigid spout
- Adjustable sensing range and timeout
- Audible low battery indicator
- Forged brass solenoid valve (control box No. 0 only)
- Tempered water supplied to solenoid valve, (except control box options No. 0 and 1)

and... with... (specify battery or hardwire)
with... (add spout required)
with... (add outlet required)
with... (add control box required)
with... (add suffix **-HP** if required – See Back Page)
with... (transformer - specify separately - See Back Page)



1501T3470

Engineer/Architect Approval





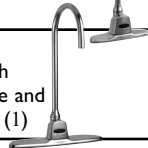


Model Specified:

Approval:

Date:

DESCRIPTION	PRODUCT NO.			
Hardwire	1500T3			
Battery Operated	1501T3			
Hardwire with Battery Backup	1500T3			-BB



SPOUT & SENSOR		OUTLET		CONTROL BOX	
0	<input type="checkbox"/>	0	<input type="checkbox"/>	0	Base Model with Surface Mount Housing* SEE Specification Drawing #9 (3) <input type="checkbox"/>
1	<input type="checkbox"/>	1	<input type="checkbox"/>	1	For RECESSED MOUNTING Components ASSEMBLED in 10" Box w/S/S Cover.* SEE Specification Drawing #10 <input type="checkbox"/>
2	<input type="checkbox"/>	2	Vandal Resistant 1.5 USGPM (5.7 L/min.) Laminar w/Agion® Antimicrobial  <input type="checkbox"/>	2	<input type="checkbox"/>
3	(R5) Single Hole Deckmount Gooseneck Spout with Integral Sensor in Base (1)  <input type="checkbox"/>	3	Vandal Resistant 1.5 USGPM (5.7 L/min.) Flow Control Aerator  <input type="checkbox"/>	3	<input type="checkbox"/>
4	(R5) Deckmount Gooseneck Spout with Integral Sensor in Base and 4" Forged Coverplate (1)  <input type="checkbox"/>	4	<input type="checkbox"/>	4	<input type="checkbox"/>
5	(R5) Deckmount Gooseneck Spout with Integral Sensor in Base and 8" Forged Coverplate (1)  <input type="checkbox"/>	5	<input type="checkbox"/>	5	<input type="checkbox"/>
6	<input type="checkbox"/>	6	<input type="checkbox"/>	6	For RECESSED MOUNTING Components & Mechanical Mixing Valve (2) ASSEMBLED in 10" Box w/S/S Cover. SEE Specification Drawing #11 <input type="checkbox"/>
7	<input type="checkbox"/>	7	Smooth End, Laminar Flow Control in Base of Gooseneck Spout 1.5 USGPM (5.7 L/min.)  <input type="checkbox"/>	7	<input type="checkbox"/>
8	<input type="checkbox"/>	8	Smooth End, Laminar Flow Control in Base of Gooseneck Spout 0.5 USGPM (1.9 L/min.)  <input type="checkbox"/>	8	For RECESSED MOUNTING Components & Thermostatic Mixing Valve ASSEMBLED in 10" Box w/S/S Cover. SEE Specification Drawing #12 <input type="checkbox"/>
9	<input type="checkbox"/>	9	<input type="checkbox"/>	9	<input type="checkbox"/>

* **Mixing Valve** supplied by others.

Flowrates are at 60 PSI.

(1) Optional Spouts R3, R4, R7 and R35 **only** available in this series due to fixed gooseneck supplied. (2) With Thermostatic Limit Stop. (3) Hydro Power™ available. Add suffix **-HP**.

Refer to www.specselect.com for individual models.

Note: Use this page front and back, with specification drawing page referenced above, as product submittal sheets.

Delta reserves the right (1) to make changes in specifications and materials, and (2) to change or discontinue models, both without notice or obligation. Dimensions are for reference only. See current full-line price book or www.specselect.com for finish options and product availability.

DSP-1500T Rev. E



TECK[®]
COMMERCIAL

Electronic Faucet 1500T & 1501T Series

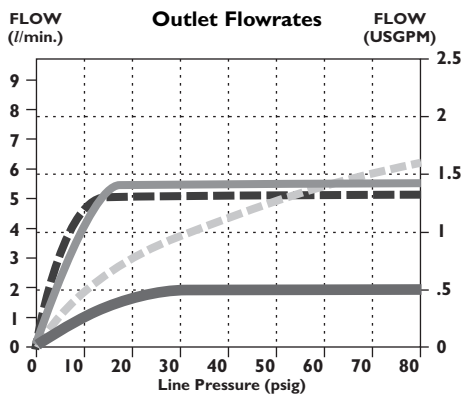
Approvals:

- CSA certified
- Complies to ASME A112.18.1
- ADA Compliant and meets Handicapped Accessibility Standard ASME A117.1 of less than 5 lbs. handle operating force.
- IAPMO listed
- Control Box Option 6 Mechanical Mixing Valve CSA certified
- Control Box Option 8 Thermostatic Mixing Valve CSA certified and meets ASSE 1016, 1017, 1070

(Contact Delta Representative for State and/or Local Approvals.)

U.S. Patent #6, 826, 455.

FLOWRATE vs PRESSURE



Spout Outlets

— — —	No. 3 Aerator	— — —	No. 7 Flow Control
· · · · ·	No. 2 Laminar Flow Outlet	— · — · —	No. 8 Flow Control

OPERATION:

- Hands free (touchless) operation.
- Water flows when sensor is activated.
- Water flow stops upon de-activation of sensor.
- Auto shut-off feature that is selectable between 15 to 75 seconds. Factory set to 45 seconds. Will reset once obstruction is removed.
- Adjustable sensing distance 76 to 381mm (3" to 15") factory set to 229mm (9") (+/- 1.0")
- Low battery audible beep (for battery models only) will activate after faucet shuts off when approximately 1500 cycles remain.

NOTE: For optimum performance of this product, we recommend a system pressure between 20 and 80 PSI static. This product will operate up to a maximum of 125 PSI static per ANSI and CSA requirements. However, we do not recommend pressures above 80 PSI. Thermal expansion or leaking pressure reducing valves may require use of expansion tanks or relief valves to ensure your system never exceeds its maximum intended pressure setting.

GOOSENECK SPOUT ASSEMBLIES

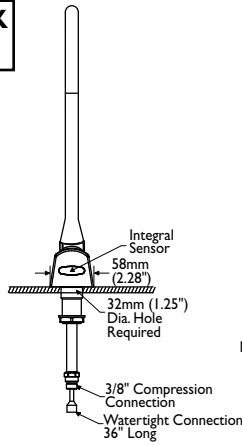
Spout/Outlet	"A"		"C"		"L"	
	mm	in.	mm	in.	mm	in.
Gooseneck-Standard (R5) for Outlet #2 and 3	152	6	124	4.9	188	7.4
Gooseneck-Standard (R5) for Outlet #7 and 8	152	6	117	4.6	196	7.7

Note: Measurements may vary ± 6mm (0.25")

Refer to www.specselect.com for individual models. Product supplied as shown by solid lines. All items shown by dotted lines supplied by others.

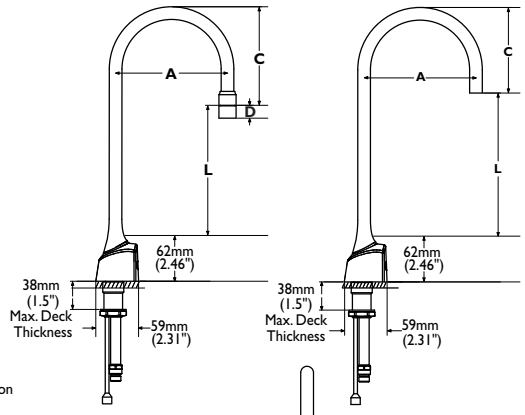
DSP-1500T Rev. E

GOOSENECK SPOUT #3

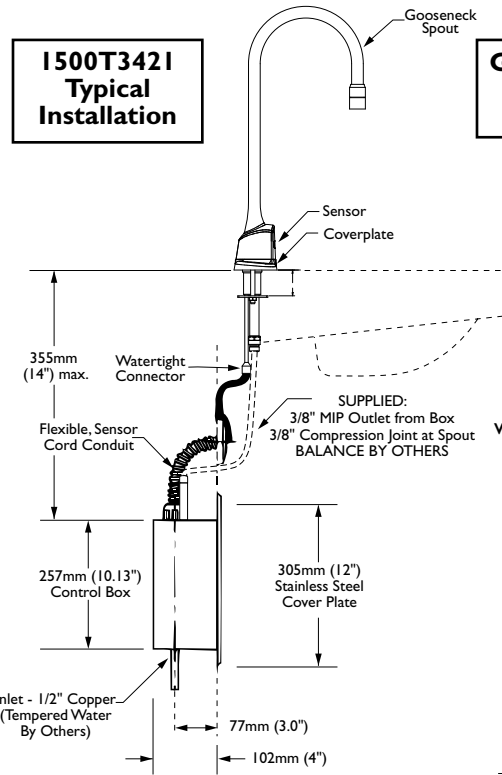


with Outlet #2 and 3

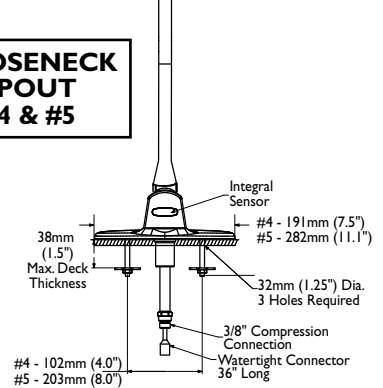
with Outlet #7 and 8



1500T3421 Typical Installation

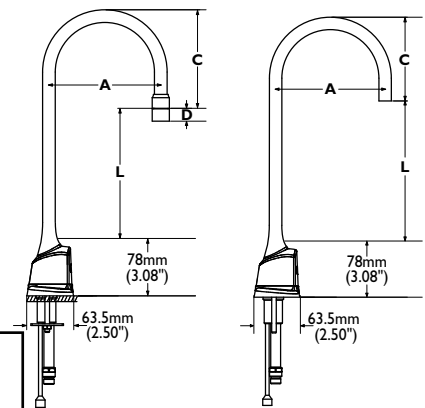


GOOSENECK SPOUT #4 & #5



with Outlet #2 and 3

with Outlet #7 and 8



HYDRO POWER™

Add suffix "-HP" to Product Number for Hydro Power.™ See DSP-HP for detailed specification. Available on Battery Powered #0 Control Box and #2, 3, 7 outlets only.

HARDWIRE WITH BATTERY BACKUP

Add suffix "-BB" to Product Number. See DSP-BB for detailed specification.

OUTLET NO.	"D" mm	"D" in.
2	18	0.69
3	18	0.69

1500T & 1501T ELECTRONIC FAUCET OPTIONAL ACCESSORIES:

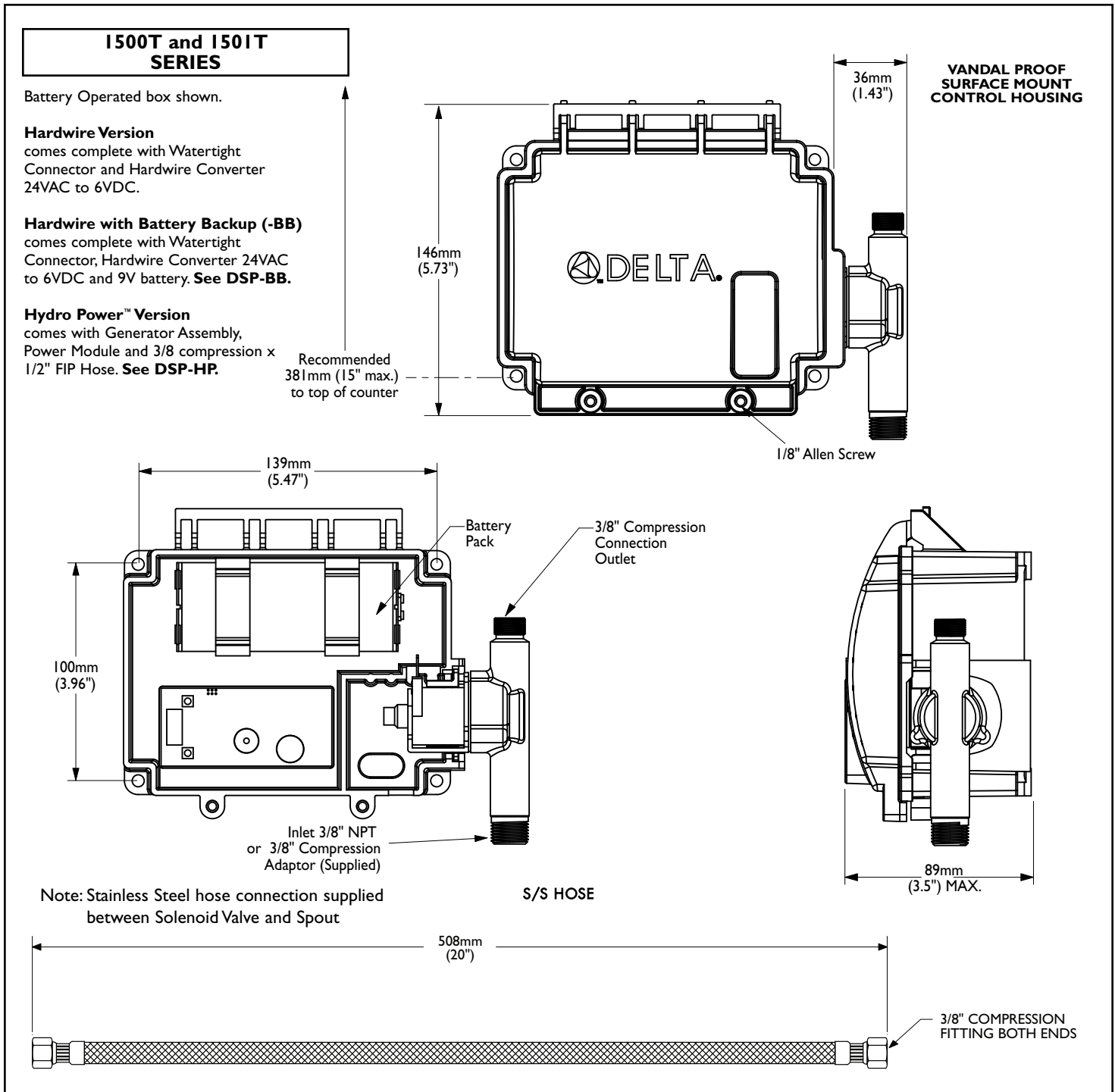
TRANSFORMERS:
060704A 110 to 24VAC Class II 20VA (Up to 5 Electronic Valves)
060771A 110 to 24VAC Class II 40VA (Up to 10 Electronic Valves)
060772A 110 to 24VAC Class II 100VA (Up to 25 Electronic Valves)
CORDS:
060690A 36" Cable Extension

Delta reserves the right (1) to make changes in specifications and materials, and (2) to change or discontinue models, both without notice or obligation. Dimensions are for reference only. See current full-line price book or www.specselect.com for finish options and product availability.

COMPONENTS ONLY UNASSEMBLED

1500T AND 1501T SERIES

✓	PRODUCT NO.				VALVE TYPE	COVER
	1500T	3		0	Deckmount Handwash Hardwire	Surface Mounted, Vandal Proof Control Housing
	1501T	3		0	Deckmount Handwash Battery	Surface Mounted, Vandal Proof Control Housing



Note: Measurements may vary ± 6mm (0.25")

TEMPERED WATER - ASSEMBLED CONTROL BOX
1500T AND 1501T SERIES

✓	PRODUCT NO.		FAUCET TYPE		MOUNT TYPE	COVER	
	*1500T	3		I	Deckmount Handwash Hardwire	Recessed Mount	305mm (12") Stainless Steel
	*1501T	3		I	Deckmount Handwash Battery	Recessed Mount	305mm (12") Stainless Steel
*This product is supplied with Flexible Sensor Cord Conduit on Recessed Mount Installations.							

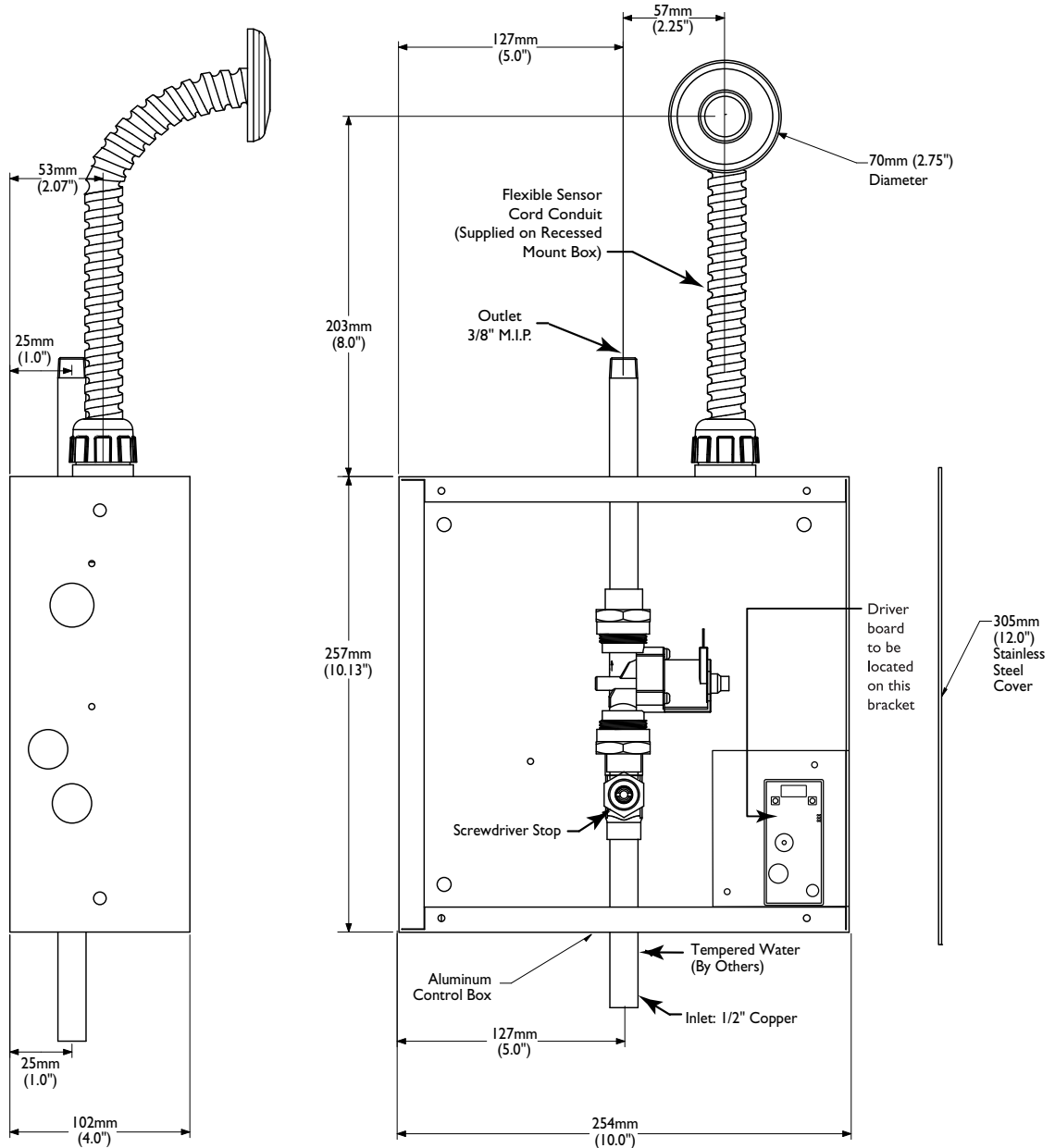
1500T and 1501T SERIES

Battery Operated box shown.

Hardwire Version comes complete with Watertight Connector and Hardwire Converter 24VAC to 6VDC.

Hardwire with Battery Backup (-BB) comes complete with Watertight Connector, Hardwire Converter 24VAC to 6VDC and 9V battery. See **DSP-BB**.

Connection from box to spout by others.



Note: For wallhung sink installations, sensor conduit rough-in should be directly under basin to minimize sensor cord exposure.

Note: Measurements may vary ± 6mm (0.25")

MECHANICAL MIXING VALVE ASSEMBLED CONTROL BOX

1500T AND 1501T SERIES

✓	PRODUCT NO.				FAUCET TYPE	MOUNT TYPE	COVER	
	*1500T	3		6	Deckmount Handwash Hardwire	Recessed Mount	305mm (12")	Stainless Steel
	*1501T	3		6	Deckmount Handwash Battery	Recessed Mount	305mm (12")	Stainless Steel
*This product is supplied with Flexible Sensor Cord Conduit on Recessed Mount Installations.								

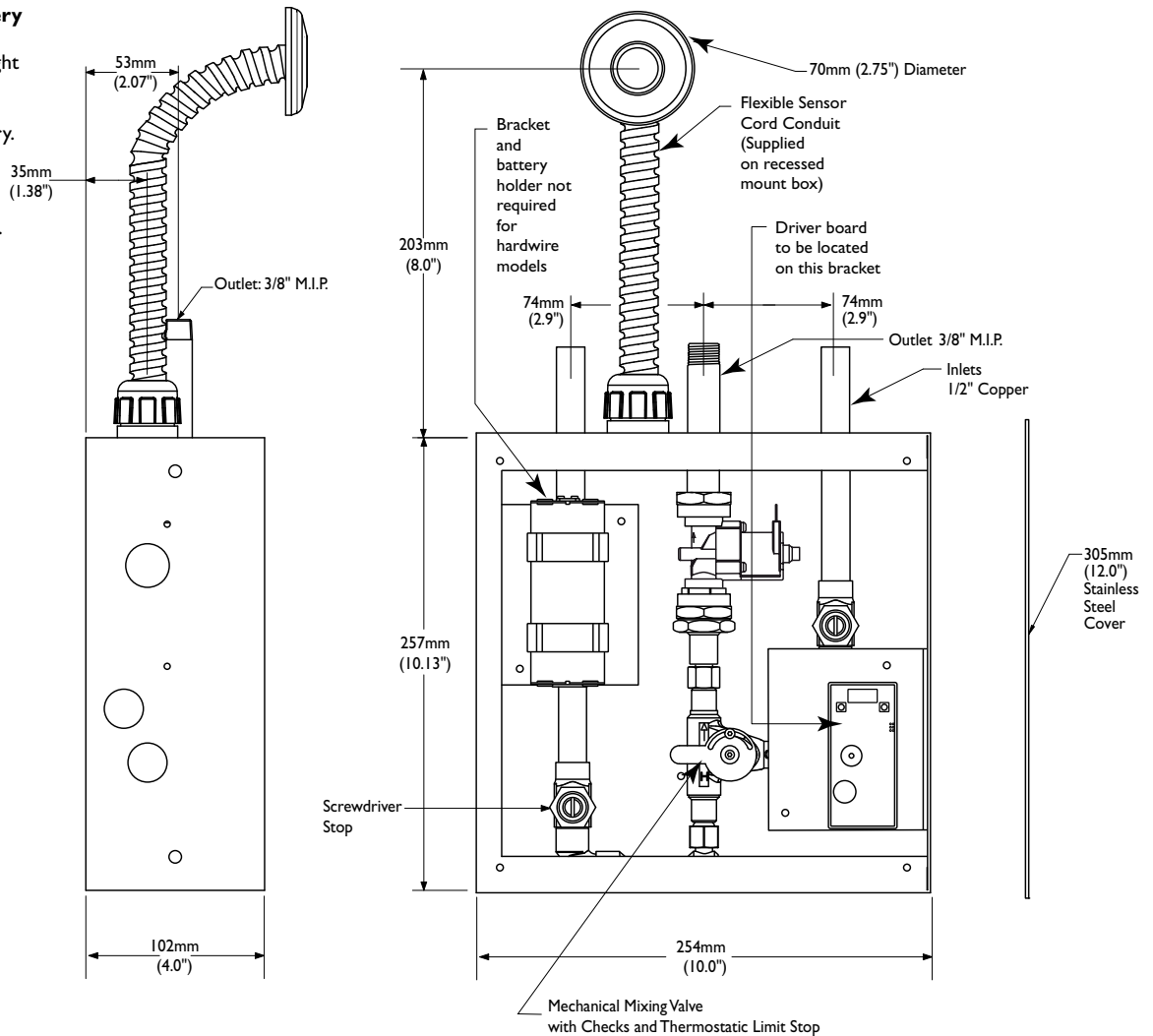
1500T and 1501T SERIES

Battery Operated box shown.

Hardwire Version comes complete with Watertight Connector and Hardwire Converter 24VAC to 6VDC.

Hardwire with Battery Backup (-BB) comes complete with Watertight Connector, Hardwire Converter 24VAC to 6VDC and 9V battery. See **DSP-BB**.

Connection from box to spout by others.



Note: For wallhung sink installations, sensor conduit rough-in should be directly under basin to minimize sensor cord exposure.

Note: Measurements may vary $\pm 6\text{mm}$ (0.25")

THERMOSTATIC MIXING VALVE ASSEMBLED CONTROL BOX

1500T AND 1501T SERIES

✓	PRODUCT NO.				FAUCET TYPE	MOUNT TYPE	COVER	
	*1500T	3		8	Deckmount Handwash Hardwire	Recessed Mount	305mm (12")	Stainless Steel
	*1501T	3		8	Deckmount Handwash Battery	Recessed Mount	305mm (12")	Stainless Steel
*This product is supplied with Flexible Sensor Cord Conduit on Recessed Mount Installations.								

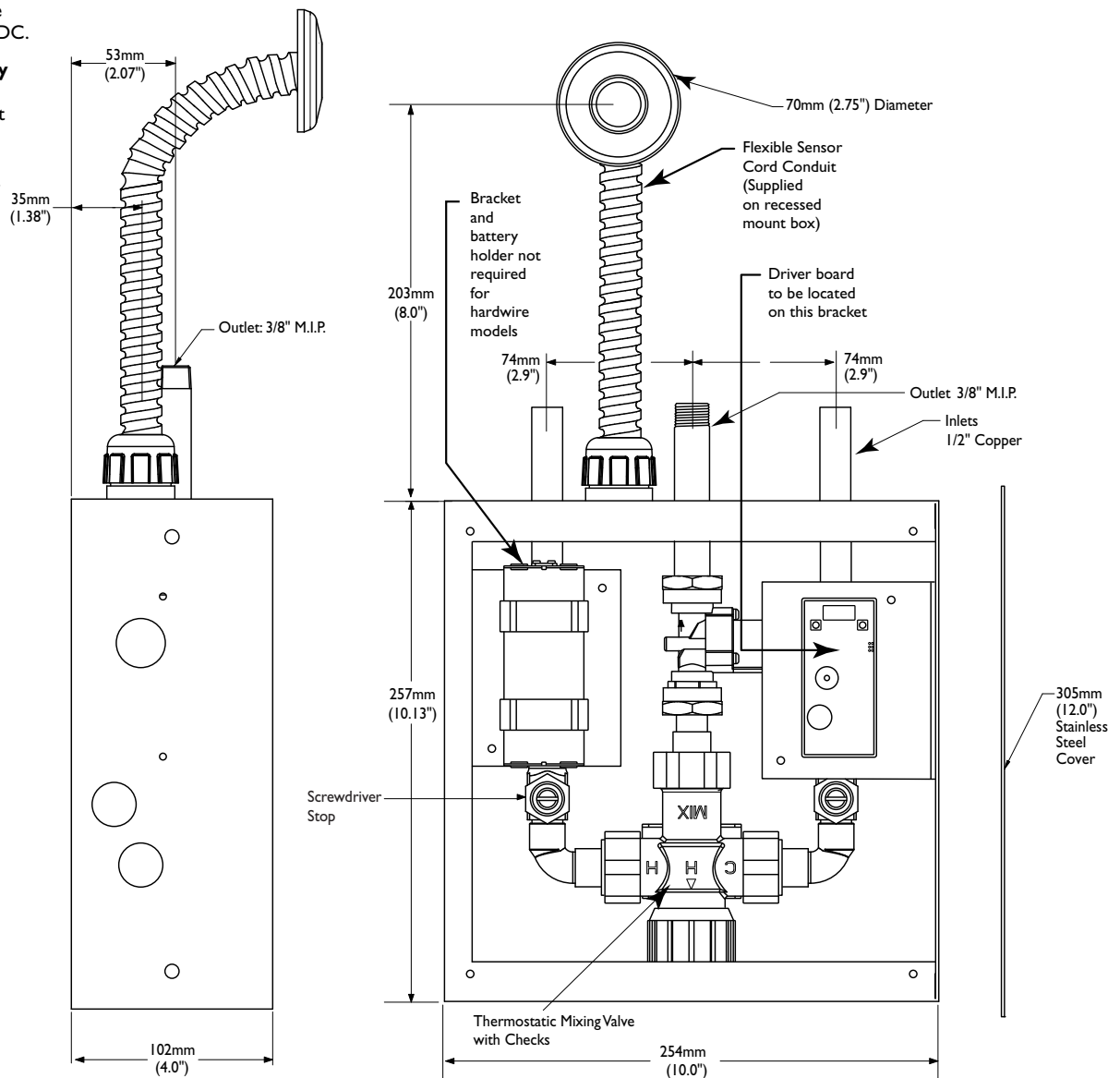
1500T and 1501T SERIES

Battery Operated box shown.

Hardwire Version comes complete with Watertight Connector and Hardwire Converter 24VAC to 6VDC.

Hardwire with Battery Backup (-BB) comes complete with Watertight Connector, Hardwire Converter 24VAC to 6VDC and 9V battery. See **DSP-BB**.

Connection from box to spout by others.



Note: For wallhung sink installations, sensor conduit rough-in should be directly under basin to minimize sensor cord exposure.

Note: Measurements may vary ± 6mm (0.25")