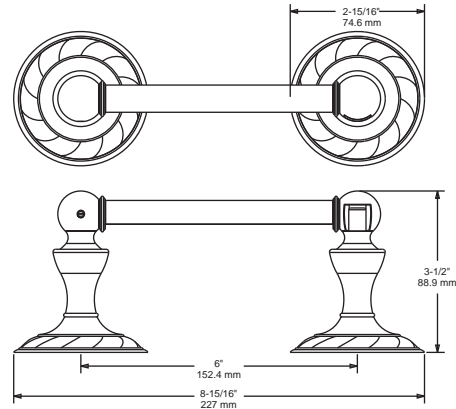


TECHNICAL DATA

Pirouette[™]

PIVOTING TOILET PAPER HOLDER



MATERIALS:

Posts and Bar - Zinc Die Cast
Wall Plate - Steel, Nickel Plated

INSTALLATION:

Mount wall plate bracket(s) per installation instructions with supplied fasteners. Slip product over wall plate(s) and slide down to secure.

OPTIONAL FASTENER INFORMATION:

Wood blocking is preferable behind all wall surfaces. If wood blocking is not available, the following fasteners are suggested: Tile/Masonry - Plastic or Lead Anchors, Plaster/Drywall - Toggle Bolts.

SPECIFICATION:

Surface mounted pivoting toilet paper holder shall be model _____
(fill in model number) by Liberty Hardware Manufacturing Corporation.