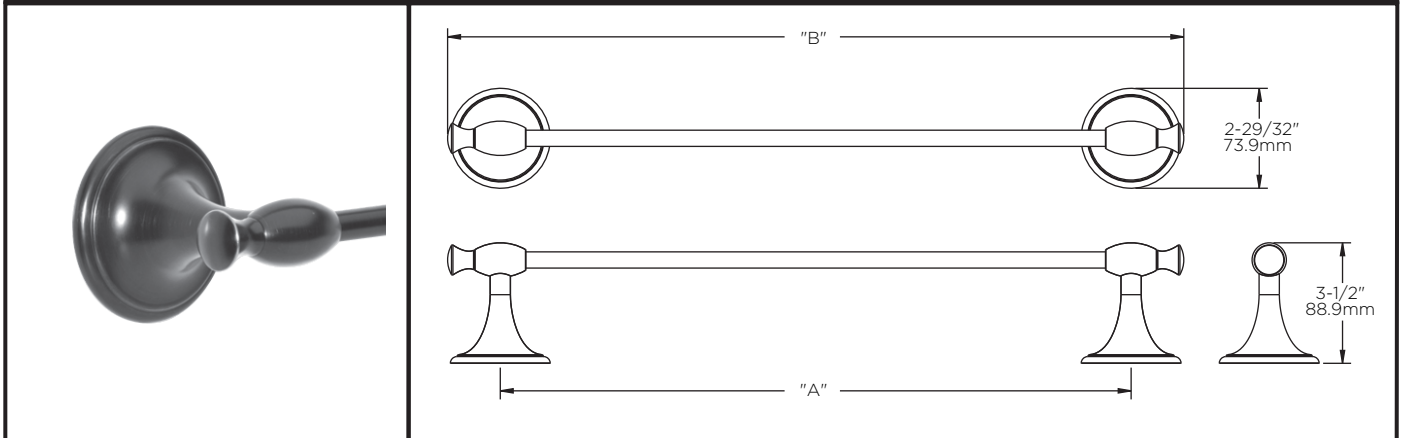


TECHNICAL DATA

Meridian

18 in. & 24 in. TOWEL BAR



MATERIALS: Posts - Zinc Alloy
18" & 24" Bars - Steel Tube
Wall Plate - Steel, Zinc Plated

INSTALLATION: Mount wall plate bracket(s) per installation instructions with supplied fasteners. Slip product over wall plate(s) and tighten set screws until secure.

OPTIONAL FASTENER INFORMATION:
Wood blocking is preferable behind all wall surfaces. If wood blocking is not available, the following fasteners are suggested:
Tile/Masonry - Plastic or Lead Anchors, Plaster/Drywall - Toggle Bolts.

SPECIFICATION: Surface mounted towel bar shall be model _____
(fill in model number) by Liberty Hardware Manufacturing Corporation.

LENGTH	18" (457 mm)	24" (610 mm)
DIM "A"	18-3/8" (467 mm)	24-3/8" (619.1 mm)
DIM "B"	21-15/32" (545 mm)	27-15/32" (697.7 mm)



see what Delta can do™