

# Ventura One Door Medicine Cabinet

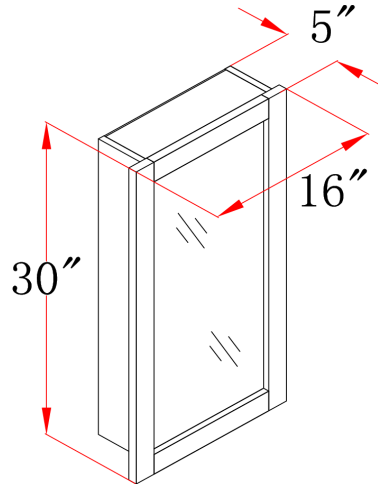


## Specifications

- Solid wood mirror frame
- Particle board side panels
- Satin nickel hardware
- 1 door, 2 shelves
- Surface mount
- Adjustable shelves



## Dimensions



## Warranty & Compliances

**Warranty** Limited 1 year warranty  
**California 93120** Compliant



## Order Codes & Finishes/Colors

**Fully Assembled**

16"w x 5"d x 30"h

541326

<b>Type:</b>
<b>Job:</b>
<b>Order Code:</b>
<b>Approvals:</b>

Design House reserves the right to make changes in materials, specifications & models at any time. Design House also reserves the right to discontinue product without notice or obligation.