

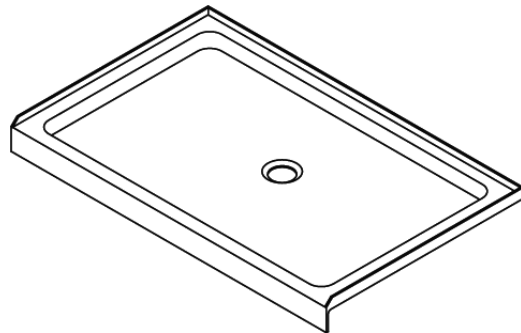
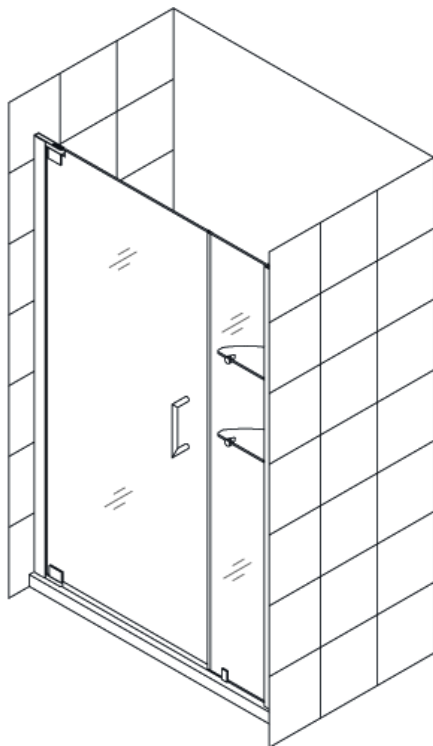


## Elegance Shower Door & Base Kit

### SHOWER Door AND SHOWER BASE KIT INSTALLATION INSTRUCTIONS

#### **IMPORTANT**

DreamLine™ reserves the right to alter, modify or redesign products at any time without prior notice. For the latest up-to-date technical drawings, manuals or any other details please refer to the [support.BathAuthority.com](http://support.BathAuthority.com) web page.



#### **STEP 1: Install Shower Base**

[Shower Base Installation Instructions](#)

#### **STEP 2: Install Shower Door**

[Shower Door Installation Instructions](#)

Please read these instructions carefully before installing. If you have any questions regarding installation, please call our technical support specialists Monday through Friday 9:00 AM – 5:00 PM EST at Phone: **1-866-731-2244**, Fax: **1-866-227-1533** or e-mail our technical support group at [support@BathAuthority.com](mailto:support@BathAuthority.com).

For more information on [DreamLine Shower Kit](#) please visit [www.BathAuthority.com](http://www.BathAuthority.com)



## ELEGANCE

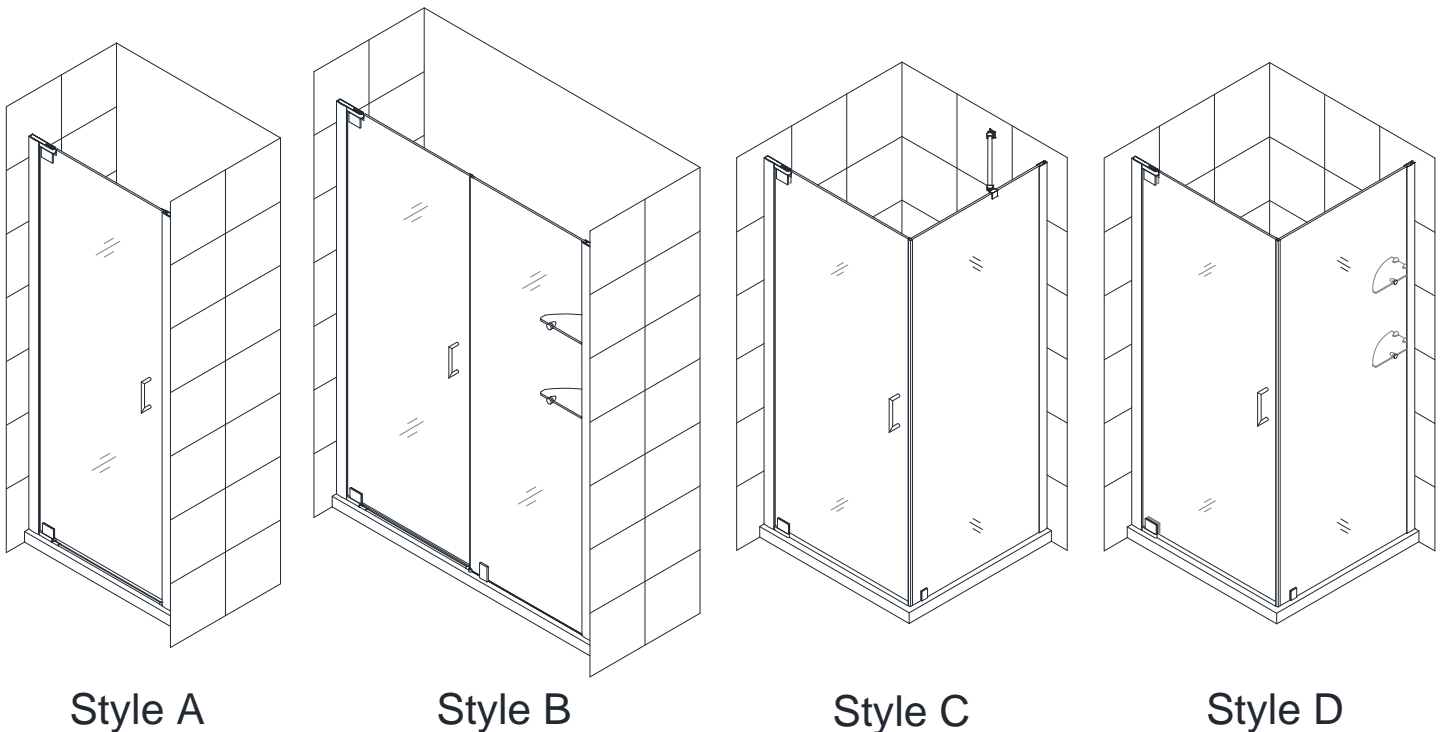
### SHOWER DOOR/ENCLOSURE INSTALLATION INSTRUCTIONS

**MODEL:** \_\_\_\_\_ **STYLE:** \_\_\_\_\_ **SELECTOR:** \_\_\_\_\_

Please choose your door model, style and selector according to your order for easy installation.

#### IMPORTANT

DreamLine™ reserves the right to alter, modify or redesign products at any time without prior notice. For the latest up-to-date technical drawings, manuals or any other details please refer to the [support.BathAuthority.com](http://support.BathAuthority.com) web page.



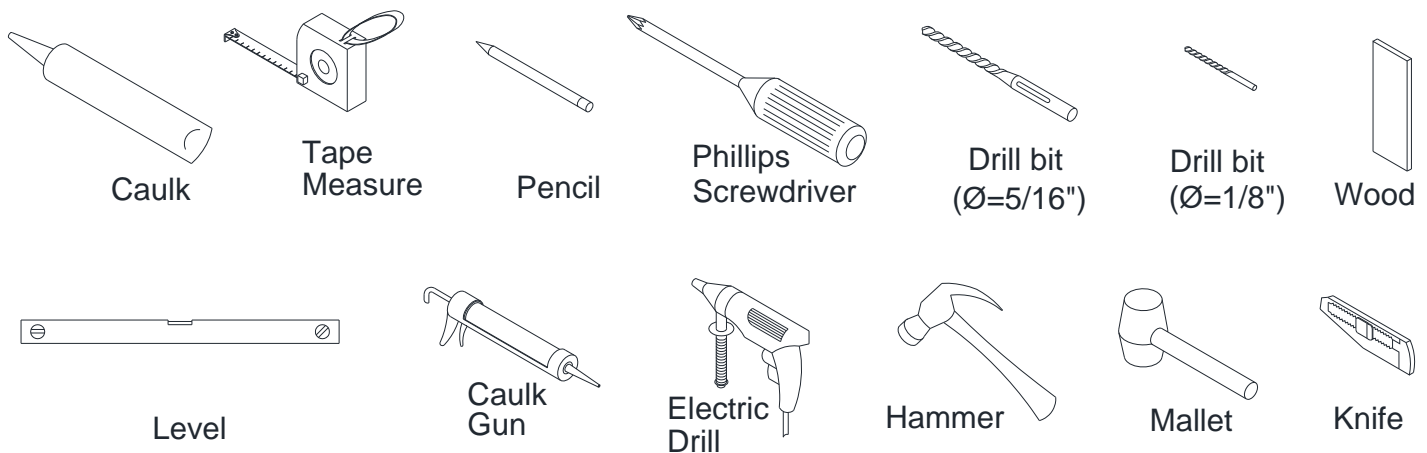
Please read these instructions carefully before installing. If you have any questions regarding installation, please call our technical support specialists Monday through Friday 9:00 AM – 5:00 PM EST at Phone: [1-866-731-2244](tel:1-866-731-2244), Fax: [1-866-227-1533](tel:1-866-227-1533) or e-mail our technical support group at [support@BathAuthority.com](mailto:support@BathAuthority.com).

For more information on [DreamLine™ Shower Doors](http://www.BathAuthority.com) and [Enclosure](http://www.BathAuthority.com) please visit [www.BathAuthority.com](http://www.BathAuthority.com)

## Preparation

1. After opening all boxes and packages, read this introduction carefully. Check that all of the needed parts are included in the package by marking all the components on the "Detailed Diagram of Shower Door Components". Examine boxes and packages for shipping damage. If the unit has been damaged, has a finishing defect, or has missing parts, please contact our customer support department within 5 business days of the delivery date. Please note that **DreamLine™ will not replace any damaged products or missing parts free of charge after 5 business days or if the product has been installed.** Feel free to contact DreamLine™ if you have any questions.
2. **Please note that you should consult your local building codes with questions on installation compliance standards. Building and plumbing codes may vary by location, and DreamLine is not responsible for code compliance standards for your project and will not accept any returns.**
3. Please ensure that prior to the installation the installation surface is leveled and solid and will be able to support the total weight of the unit. Also make sure the walls are at right angles. Irregular installation surface level or improper angle of side walls will result in serious problems for your installation. Please, note that some adjustments and drilling might be necessary during the installation process.
4. **Please, NOTE! The door has 1" out-of-plumb adjustment on each side.**

## Tools Required



# Detailed Diagrams of Shower Door Components

Diagram A

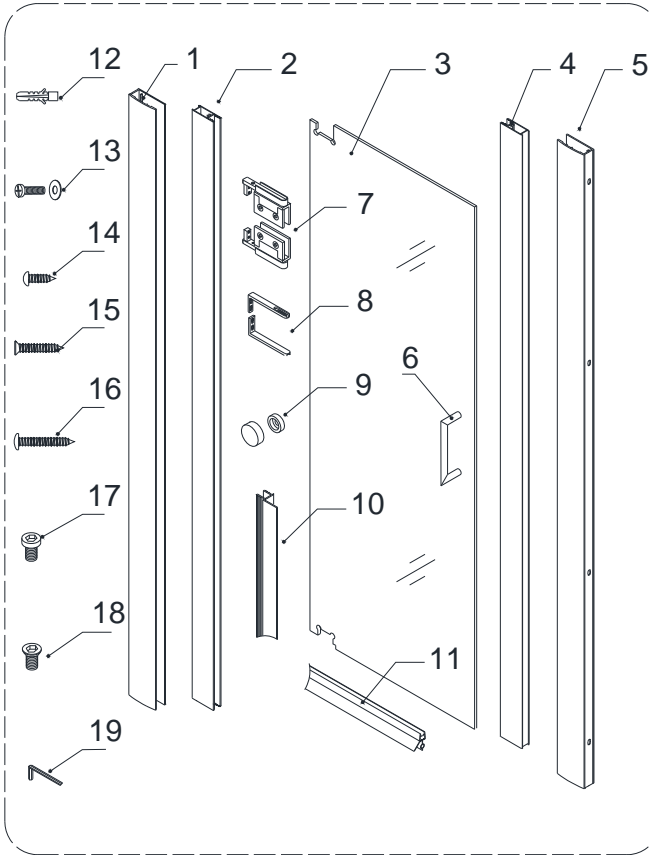


Diagram B

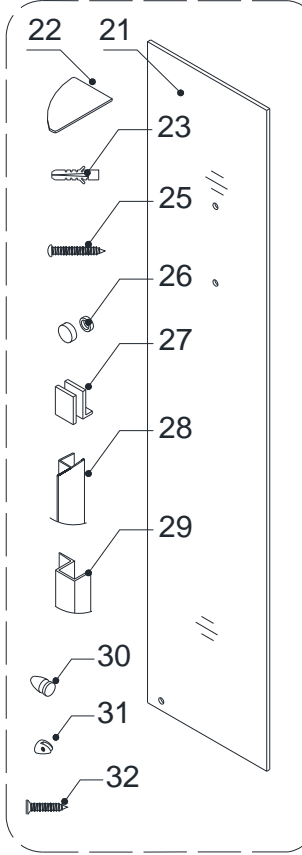
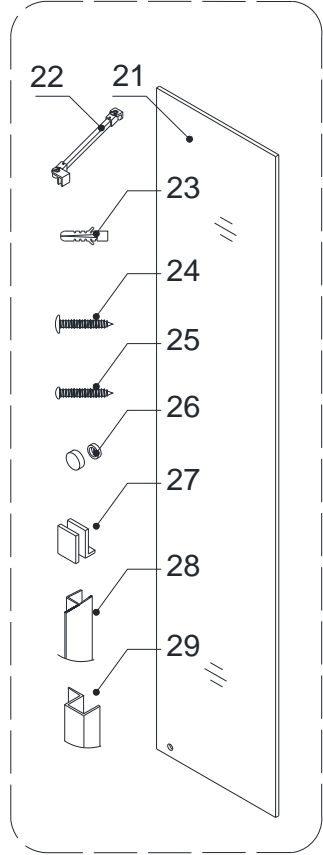


Diagram C



## Diagram A

01	Wall profile for glass door	1pc	11	Bottom anti-water strip	1pc
02	Glass profile for glass door	1pc	12	Wall anchor	12pcs
03	Glass door	1pc	13	Bolt M4×16 (with washer)	4pcs
04	Glass profile	1pc	14	Round head screw ST4.2×10	8pcs
05	Wall profile	1pc	15	Flat head screw ST4.2×25	2pcs
06	Handle	1set	16	Big flat head screw ST4.2×40	13pcs
07	Pivot assembly (upper and bottom)	1pair	17	Round head socket bolt M6×12	1pc
08	Pivot retainer (upper and bottom)	1pair	18	Flat head socket bolt M6×12	1pc
09	Decorative cover	8pcs	19	Hex wrench	2pcs
10	Anti-water strip	2pcs			

## Diagram B

21	Stationary glass	1pc	28	Anti-Water strip (Door)	1pc
22	Glass shelf	2pcs	29	Anti-Water strip (Enclosure)	1pc
23	Wall Anchor	4pcs	30	Shelf bracket (with nut)	2pcs
25	Round head screw ST4.2×35	1pc	31	Shelf bracket (without nut)	4pcs
26	Decorative cover	1pc	32	Countersunk screw ST4.2×40	4pcs
27	Bottom bracket	1pc			

## Diagram C

21	Stationary glass	1pc	26	Decorative cover	1pc
22	Support bar	1pc	27	Bottom bracket	1pc
23	Wall Anchor	1pc	28	Anti-Water strip (Door)	1pc
24	Big flat head screw ST4.2×40	1pc	29	Anti-Water strip (Enclosure)	1pc
25	Round head screw ST4.2×35	1pc			

**NOTE:** Unpack your unit carefully and inspect it. Lay it out and identify all parts using the detailed diagram and packing list in your manual as a reference. Before discarding the carton, check for small hardware bags that tend to fall to the bottom of the box. If any parts are damaged or missing, please contact DreamLine™ for replacement.

### **STYLE A**

Single Shower door 25¼" -37¾"

Diagram A must be used for assembly

Pages: 6-15

### **STYLE B**

Shower door with 12" or 24" Stationary glass and Glass Shelves

Diagram A and Diagram B must be used for assembly

Pages: 6-11, 16-20

### **STYLE C**

Shower Enclosure with 30" or 34" Return Stationary glass and Support Arm

Diagram A and Diagram C must be used for assembly

Pages: 21-31

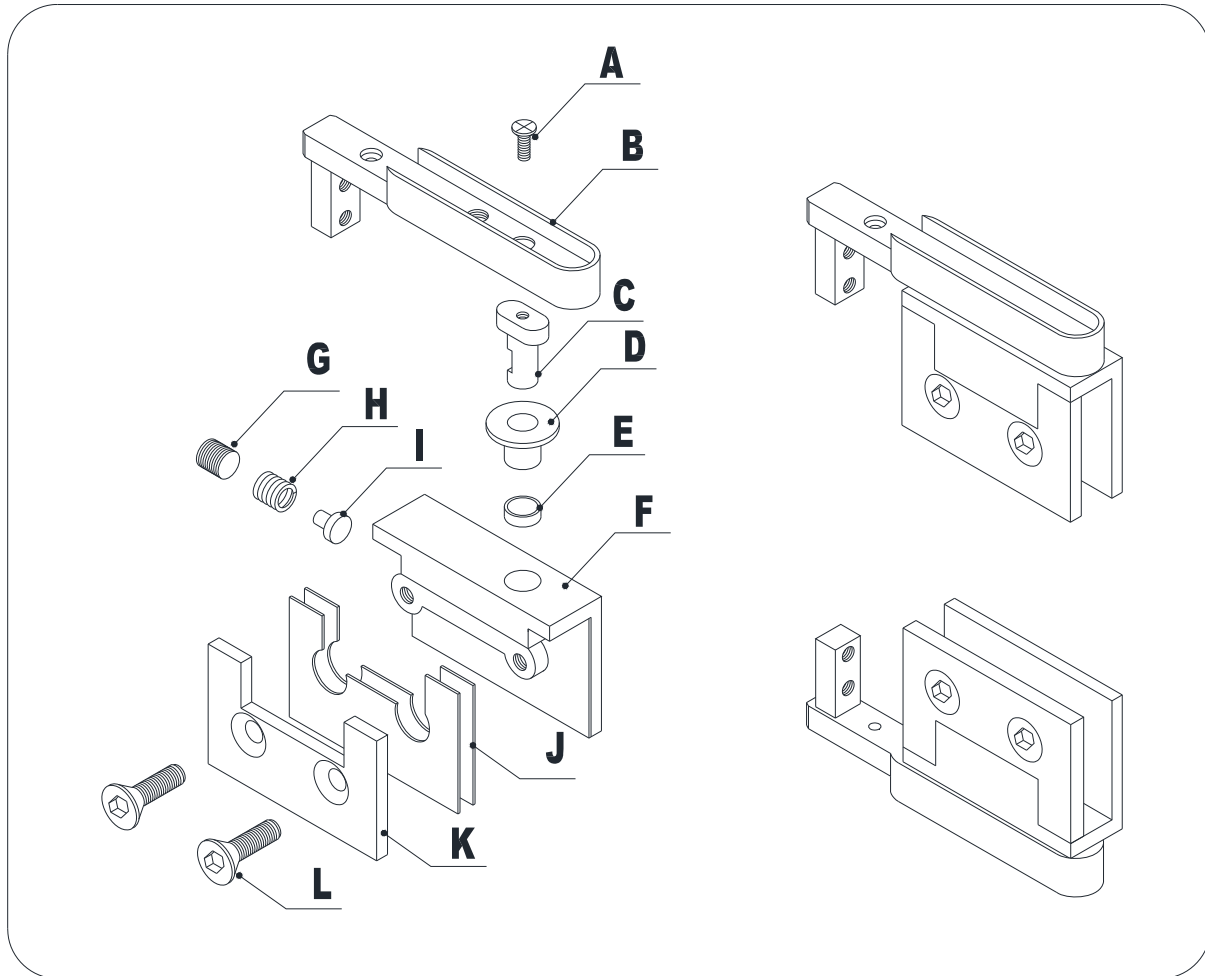
### **STYLE D**

Shower Enclosure with 30" or 34" Return Stationary glass and Glass Shelves

Diagram A and Diagram B must be used for assembly

Pages: 21-30, 32

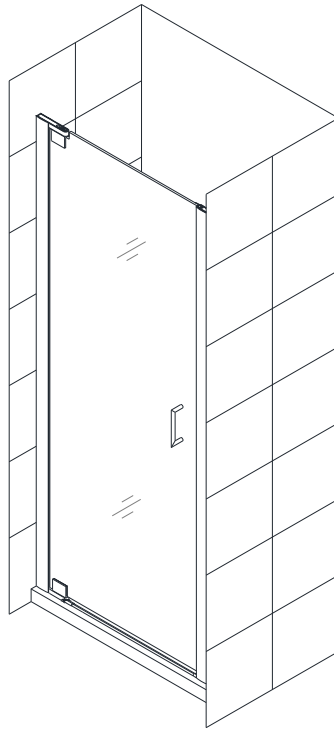
## Self Closing Pivot Assembly Parts List



A	Flat head bolt M4×8	1pc	G	Bolt M12×10	1pc
B	Pivot bracket	1pc	H	Spring	1pc
C	Pivot axis	1pc	I	Core	1pc
D	Washer A	1pc	J	Spacer	4pcs
E	Washer B	1pc	K	Back plate	1pc
F	Pivot body	1pc	L	Bolt	2pcs

## Style "A":      Single Shower Door Assembly and Installation

**NOTE:** Use parts from Diagram "A" for the Single Shower door assembly and installation.



1. Place the **Wall profile for glass door (01)** on the shower base or the threshold vertically against the finished wall.  
Adjust the **Wall profile for glass door** vertically using a level.  
Mark the drill holes on the wall through the predrilled holes in the **Wall profile for glass door**.  
Now drill holes in the wall and insert the **Wall anchors (12)**.

See Fig. 1 for details.

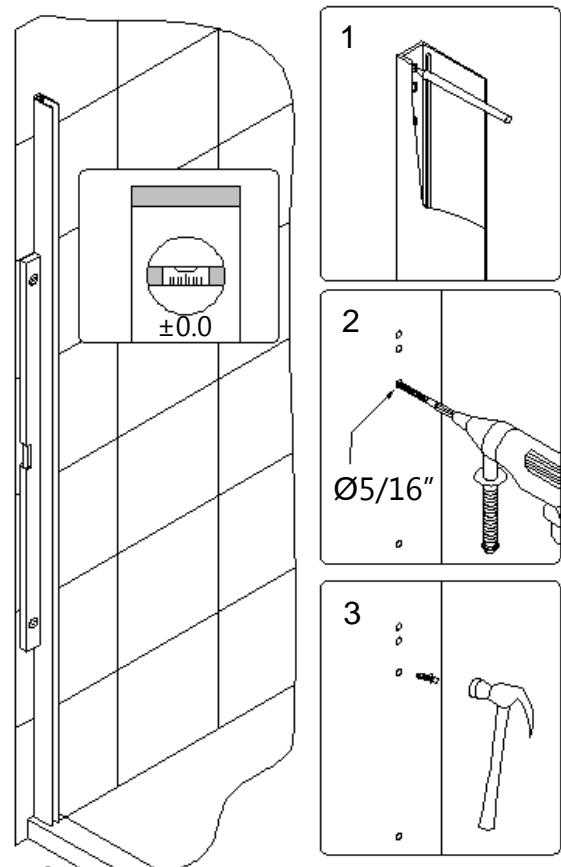


Fig. 1

2. Push the **Pivot retainers (08)** into both ends of the **Wall profile for glass door (01)**.

See Fig. 2 for details.

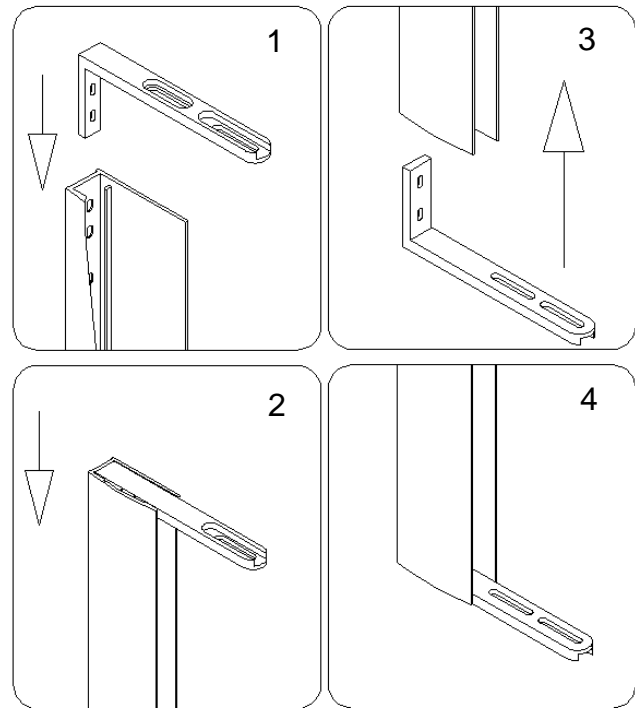


Fig. 2

3. Run a silicone bead along the holes on the wall. Attach the **Wall profile for glass door (01)** and **Pivot retainer (08)** to the wall using **Big flat head screws ST4.2×40 (16)**.

See Fig. 3 for details.

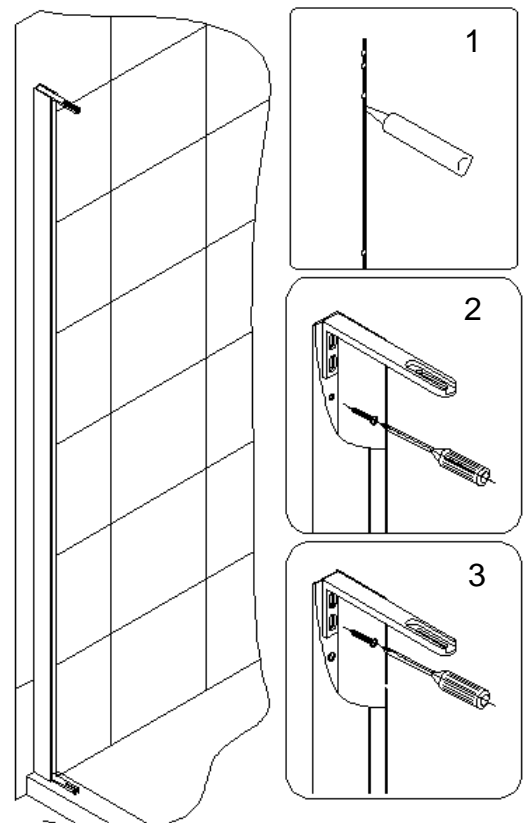


Fig. 3



4. Attach the **Pivot assembly (07)** to the top and the bottom ends of the **Glass profile for glass door (02)** with the **Flat head screws ST4.2×25 (15)** and **M4×16 bolt (13)**.

See Fig. 4 for details.

**NOTE:** The **Back plate (K)** of the **Pivot assembly** should face **inside of your shower**.

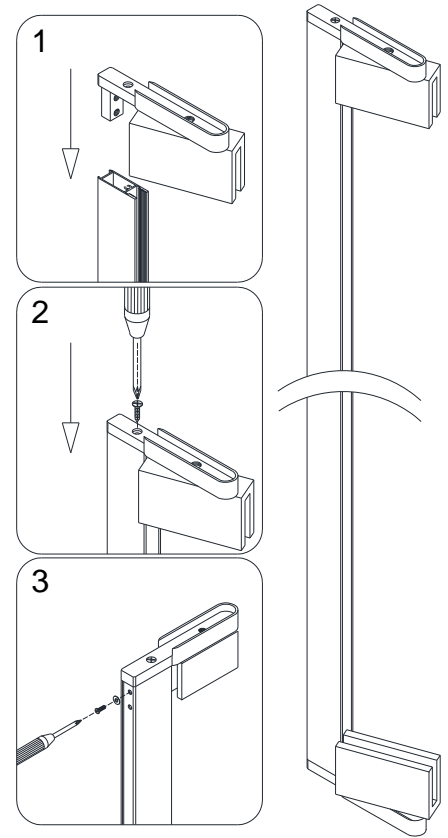


Fig. 4

5. Slide the **Glass profile for glass door (02)** with **Pivot assemblies (07)** into the groove of the **Wall profile for glass door (01)** and secure the upper **Pivot retainer (08)** to the upper **Pivot assembly (07)** with **Round head socket bolt M6×12 (17)**.

See Fig. 5 for details.

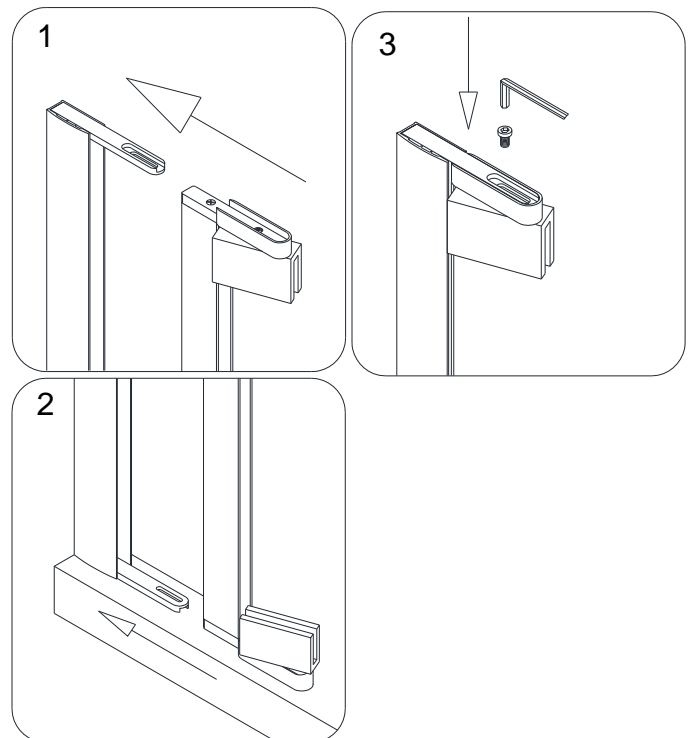


Fig. 5

**NOTICE:**

**The Glass door has 2 cuts for the Pivot assemblies. The deeper cut must be on the top.**

6. Remove the **Bolts (L)** and **Back plates (K)** from the upper and bottom **Pivot assemblies (07)**.

Place the **Glass door (03)** to the **Pivot assemblies**, attach **Back plates (K)** to its position and fasten tight the **Bolts**. Make sure the clear rubber **Spacers (J)** are in between the glass and the metal parts. Secure the **Glass door** to the **Pivot assemblies**.

See Fig 6 for details.

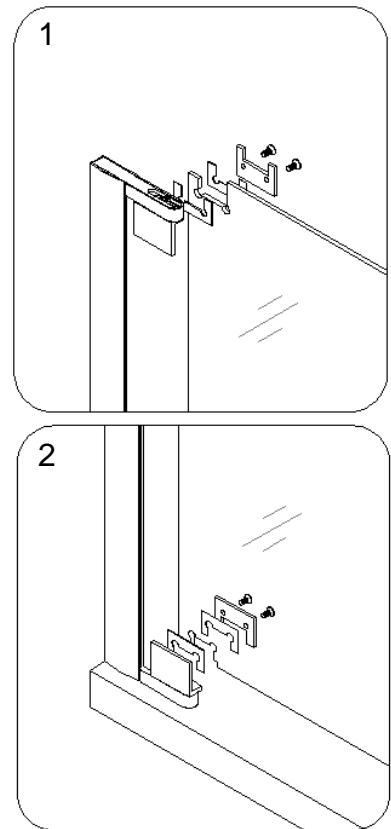


Fig. 6

7. Mount the **Handle (06)** onto the **Glass door (03)**.

See Fig. 7 for details.

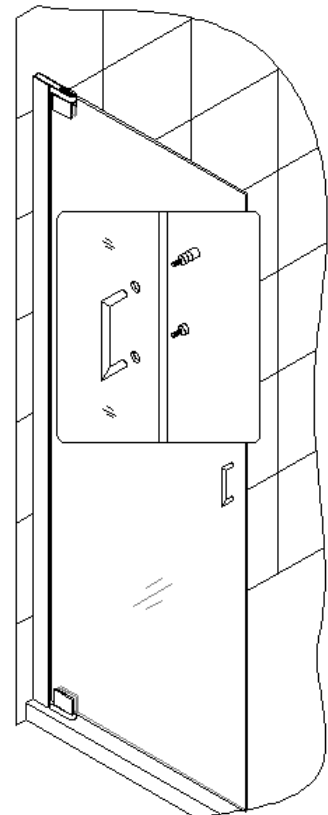


Fig. 7

8. Open the **Glass door (03)**.

See Fig. 8 for details.

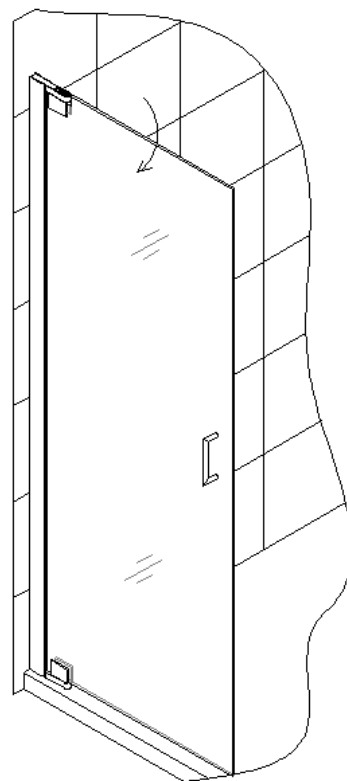


Fig. 8

9. Close the hole in the bottom **Pivot retainer (08)** with **Flat head socket bolt M6×12 (18)** or you can attach the **Pivot retainer** to the Shower base or threshold using **Big flat head screw ST4.2×40 (16)**.

Apply silicone sealant over the **Screw (16)** or **Bolt (18)** to prevent leakage.

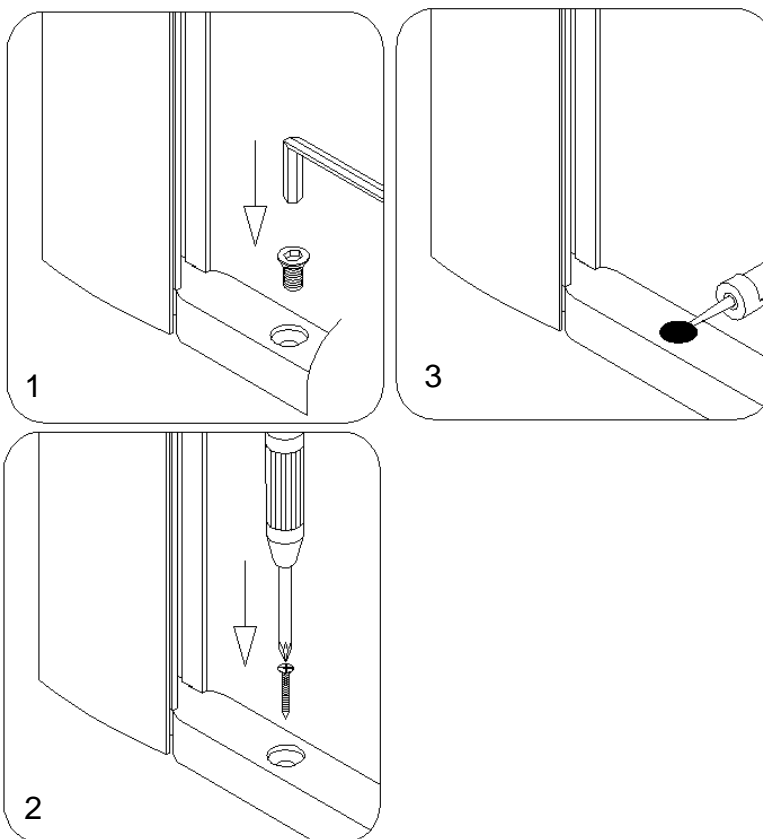


Fig. 9

10. Push the **Anti-water strip (10)** into the vertical groove of the **Glass profile for glass door (02)**.  
Attach the **Bottom anti-water strip (11)** onto the glass door.  
(You can cut the strips to size by using a knife).

See Fig. 10 for details.

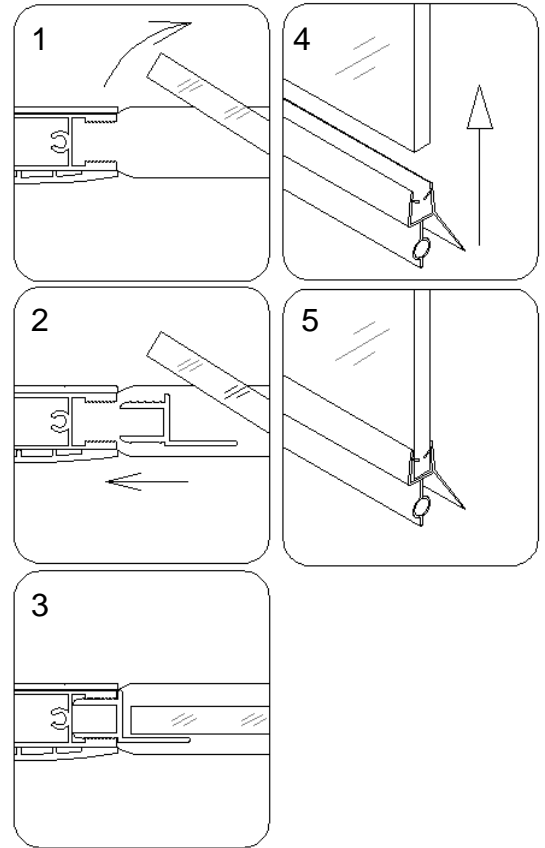


Fig. 10

## **ATTENTION:**

### **Steps 11-16**

Follow these steps if the width of your door is less than **37<sup>3</sup>/<sub>4</sub>"** and you are installing the door without stationary glass and you only need to refer to **(Diagram A)** with **(Packing List A)** to complete the installation.

### **Steps 17-24**

Follow these steps if the width of your door is **37<sup>1</sup>/<sub>4</sub>"** and over, and you are installing the door and the stationary glass with glass shelves and you have to use **(Diagram A and B)** with **(Packing List A and B)** to complete the installation.

11. Push the **Glass profile (04)** into the groove of the **Wall profile (05)** and push the **Anti-water strip (10)** into the groove of the **Glass profile**.

Close the **Glass door (03)**. Adjust the position of the **Glass door** and position of the **Wall profile** on the wall to ensure the **Glass door** has a tight contact with the flange of the **Anti-water strip** from top to bottom.

See Fig. 11 for details.

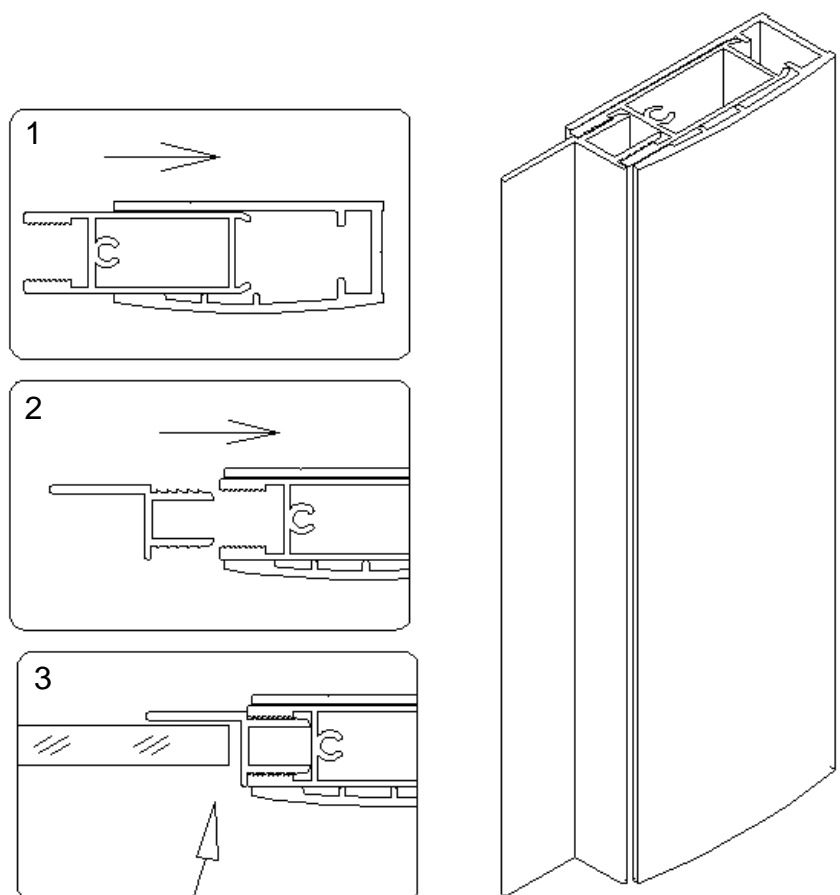


Fig. 11

12. Use a level to ensure that the **Glass door (03)** and the **Wall profile (05)** is absolutely vertical. Draw a line along the vertical edge of the **Wall profile** on the wall. Detach the **Wall profile** from the **Glass profile (04)**. Place the **Wall profile** to the outlined position and mark the drilling holes through the predrilled holes in the **Wall profile**.  
Drill the holes using  $\text{Ø } 5/16''$  drill bit in the wall

See Fig. 12 for details.

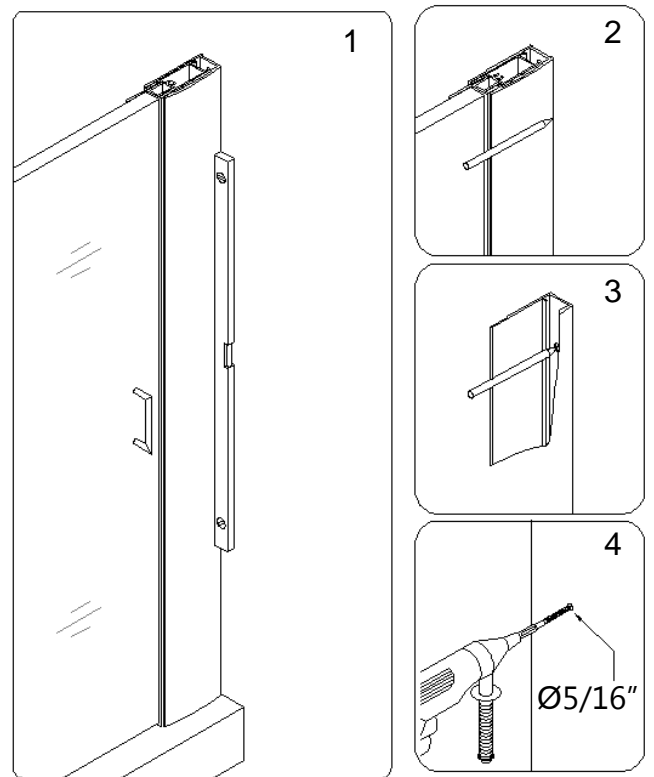


Fig. 12

13. Insert the **Wall anchors (12)** into the holes and apply silicone along the **Wall profile (05)** and around the holes. Fasten the **Wall profile** to the wall with the **Big flat head Screw ST4.2x40 (16)**.  
Push the **Glass profile (04)** assembly back into the **Wall profile**.

See Fig. 13 for details.

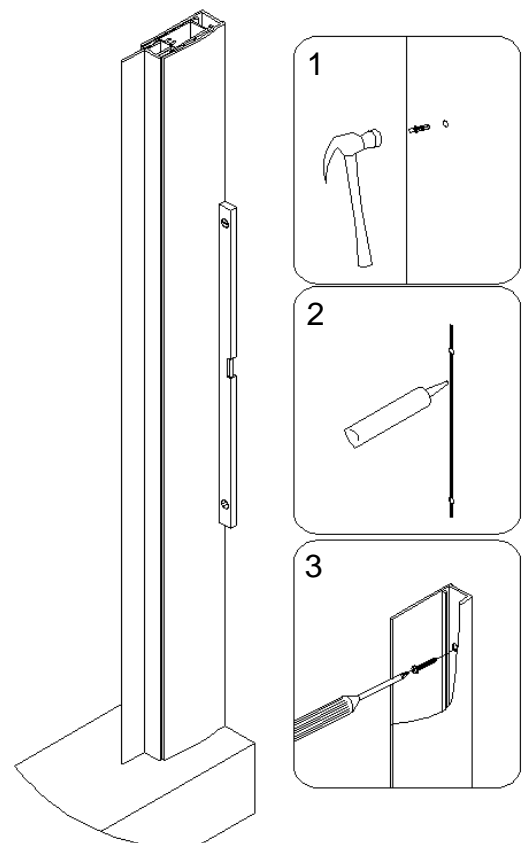


Fig. 13

14. Adjust the width of the **Glass door (03)** by pulling out the **Glass profiles (02)** and **(04)** if it necessary for size of your door.

Adjust the **Glass door** using a level and tighten in place with the **Round head socket bolt M6×12 (17)**. Close the glass door and make sure that there is **1/16" - 1/8"** gap between the glass door and the anti-water strip.

See Fig. 14 for details.

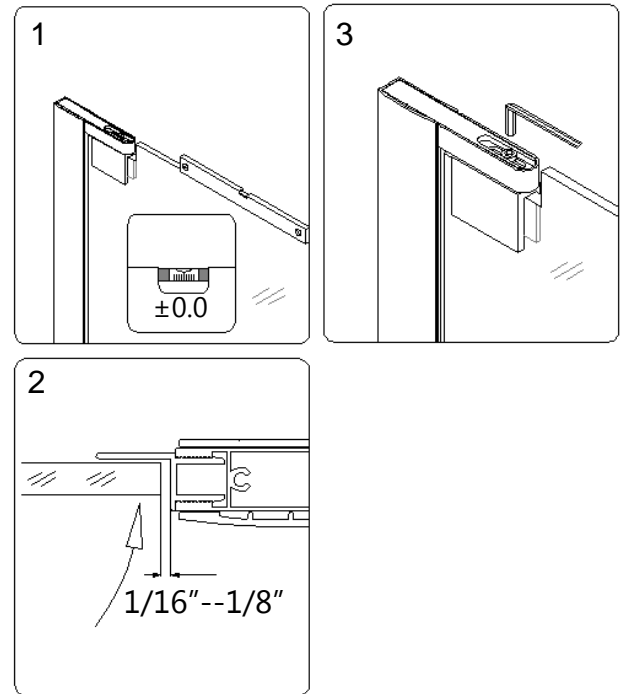


Fig. 14

15. After final adjustments of the **Assembled unit** drill the holes in the **Glass profiles (02)** and **(04)** through predrilled holes in the **Wall profiles (01)** and **(05)** using **Ø 1/8"** drill bit.

**NOTE:** You only need to drill through the first layer of the **Glass Profiles**.

Use **Round head screws ST4.2×10 (14)** to secure the **Glass profiles** inside of the **Wall profiles**. Cover the exposed screw holes with **Decorative cover (09)**.

See Fig. 15 for details.

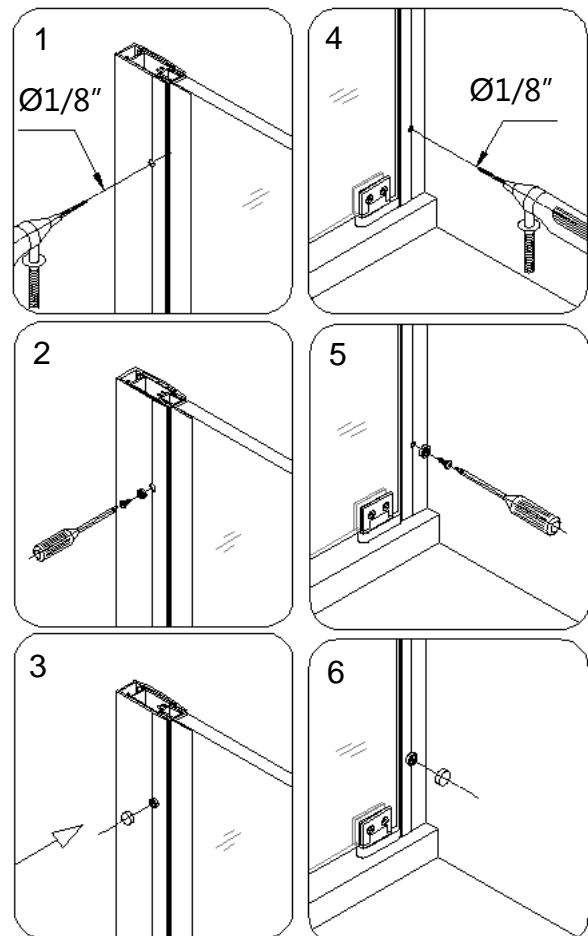


Fig. 15

16. Apply silicone sealant between the tray or threshold and the pivot bracket. Also, apply silicone between the wall and the wall profiles.

See Fig. 16 for details.

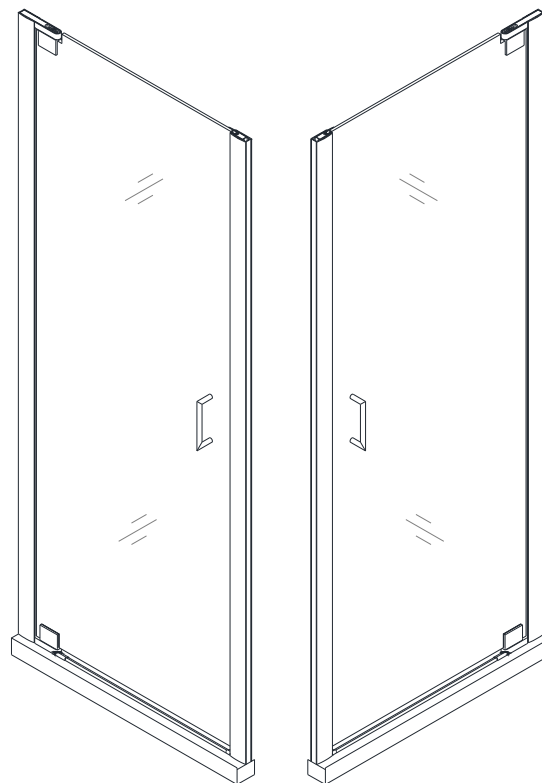


Fig. 16



## Style "B":

## Stationary Glass Assembly and Installation

**NOTE:** Use parts from Diagram "B" and "C" for the Stationary Glass assembly and installation.

17. Apply clear silicone along the inner channel of the **Glass profile (04)** and push the **Stationary glass (21)** inside the channel.

**NOTE:** If you have difficulty sliding the **Glass profile** over the **Stationary glass**, you can slightly tap on the **Glass profile** with a rubber mallet and a piece of wood. Please do not strike directly on the profile.

**NEVER use the metal hammer or hit the profile without the wood bumper.**

Push the **Stationary glass** with attached **Glass profile** inside the **Wall profile (05)**.

See Fig. 17 for details.

**NOTE:** Please note that the hole in the corner of the **Glass panel** should be at the bottom, farther from the wall.

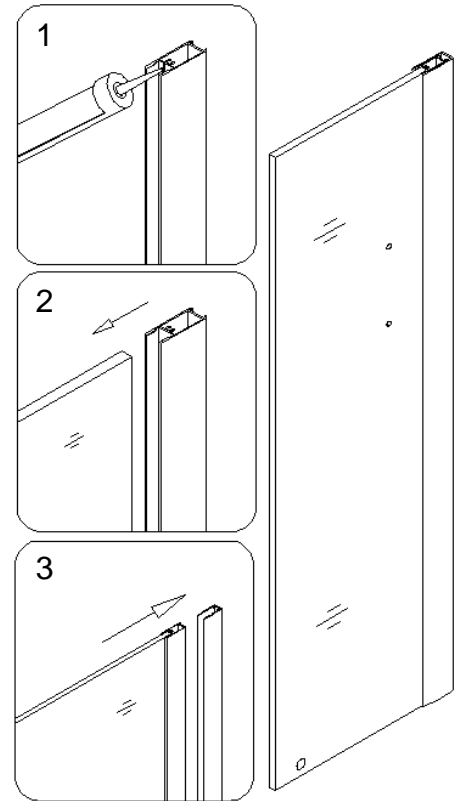


Fig. 17

18. Press the **Anti-Water strip (28)** onto the vertical edge of the **Stationary glass (21)**. Align the **Stationary glass** with the **Glass Door (03)** and then close the **Glass door**. If needed adjust the position of the **Stationary glass** to make sure the **Anti-water strip** and the **Glass door** work well.

See Fig. 18 for details.

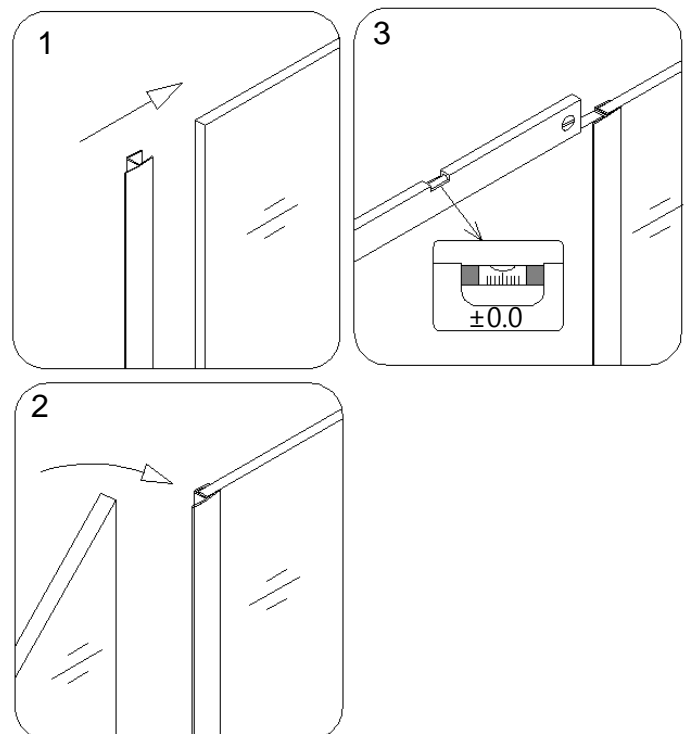


Fig. 18

19. Draw a line along the inner edge of the **Wall profile (05)** on the wall. Detach the **Wall profile** from the **Stationary glass (21)** and the **Glass profile (04)** assembly. Place the **Wall profile** to the outlined position and mark the drilling holes through the predrilled holes in the **Wall profile**.

Now drill the holes using  $\text{Ø } 5/16''$  drill bit in the wall.

See Fig. 19 for details.

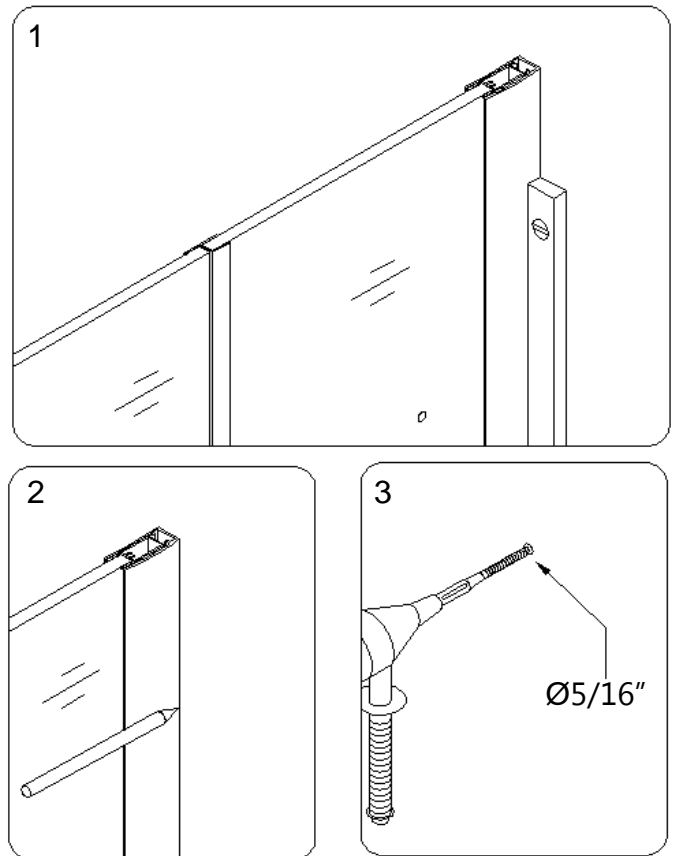


Fig. 19

20. Insert the **Wall anchors (12)** into the holes and apply silicone along the **Wall profile (05)** and around the holes. Fasten the **Wall profile** to the wall with the **Big flat head Screw ST4.2×40 (16)**.

Push the **Stationary glass (21)** with the **Glass profile (04)** back into the **Wall profile**.

See Fig. 20 for details.

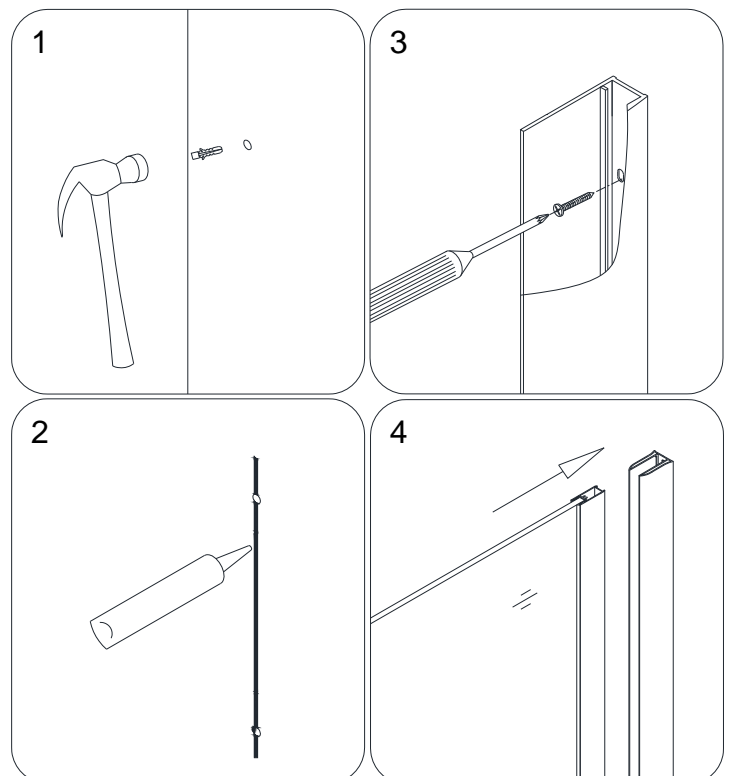


Fig. 20

21. Adjust the **Stationary glass (21)** position to ensure that when the **Glass door (03)** is closed, there is a gap (**1/16" - 1/8"**) between the two glass panels.

To adjust and secure the **Stationary glass** in place, install the **Bottom Bracket (27)** to the **Stationary glass**.

Mark the drilling hole for the bracket. Make sure the mark is clear and visible and drill the hole using **Ø1/8"** drill bit.

Use the **Round head screws ST4.2×35 (25)** to attach the **Bottom Bracket** to the shower base or the threshold. Cover the screw head with **Decorative screw cover (26)**.

See Fig. 21 for details.

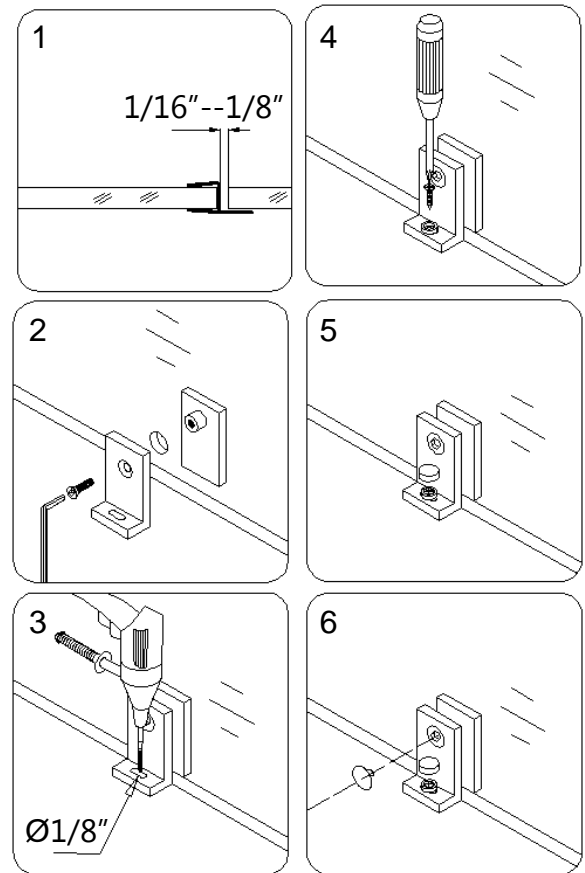


Fig. 21

22. After final adjustments of the **Assembled unit** drill the holes in the **Glass profiles (2)** and **(4)** through predrilled holes in the **Wall profiles (1)** and **(5)** using **Ø 1/8"** drill bit.

**NOTE:** You only need to drill through the first layer of the **Glass Profiles**.

Use **Round head screws ST4.2×10 (14)** to secure the **Glass profiles** inside of the **Wall profiles**. Cover the exposed screw holes with **Decorative cover (09)**.

See Fig. 22 for details.

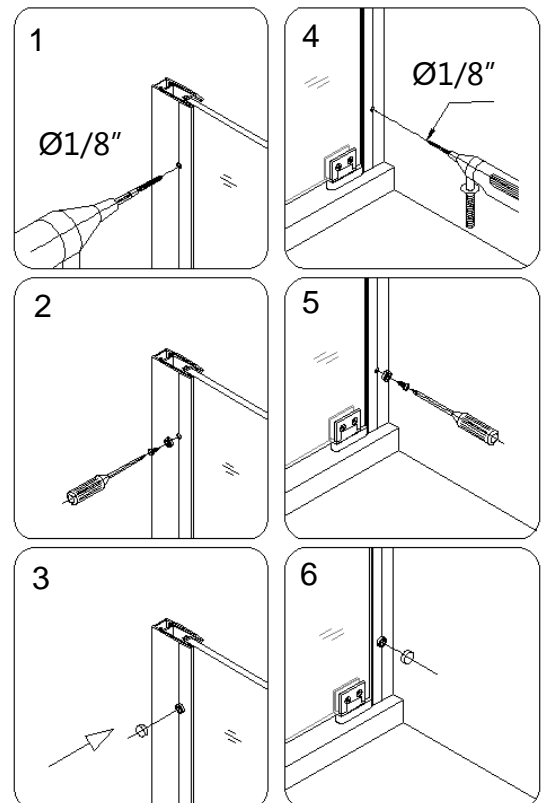


Fig. 22

23. Apply silicone sealant between the tray or threshold and the pivot bracket. Also, apply silicone between the wall and the wall profiles.

See Fig. 23 and Fig. 24 for details.

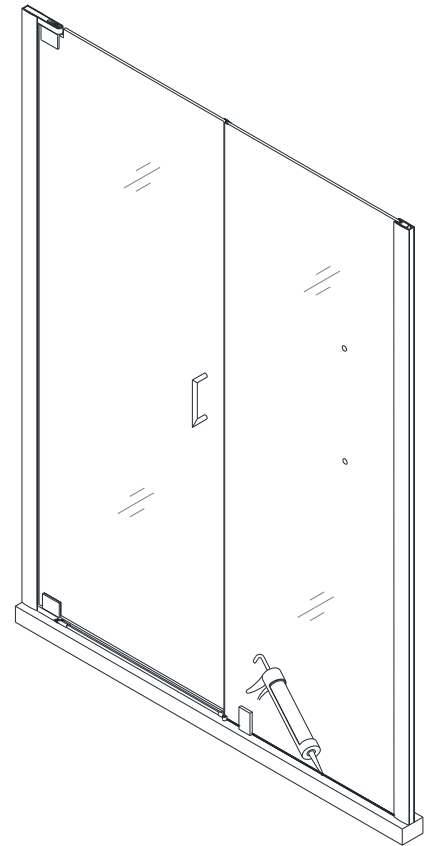


Fig. 23

**NOTE: If you need to install the door on the right wall, simply exchange the position of the wall profile for glass door (01) and the wall profile (05).**

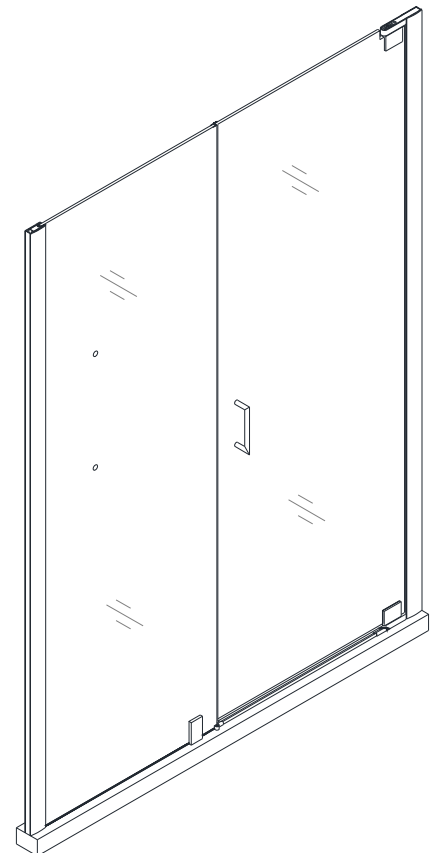


Fig. 24

## Style "B" and "D": Stationary Glass Assembly and Installation

**NOTE:** Use parts from Diagram "B" or "C" (depends on your model style) for the Stationary Glass assembly and installation.

### Glass shelves installation

24. Mark the **Glass shelf (22)** position on the wall. According to the measurements in Fig. 25.1, mark the drilling holes on the wall for the **Shelf brackets (31)**.

Drill the holes using  $\varnothing 5/16"$  drill bit and insert the **Wall anchors (23)**.

Attach the **Shelf brackets (31)** to the wall using the **Countersunk screw ST4.2x40 (32)** and attach the **Shelf brackets (30)** to the **Stationary glass (21)**.

Insert the **Glass shelves** into the **Shelf brackets** and fasten the screws at the bottom of the brackets

See Fig. 25 and Fig. 26 for details.

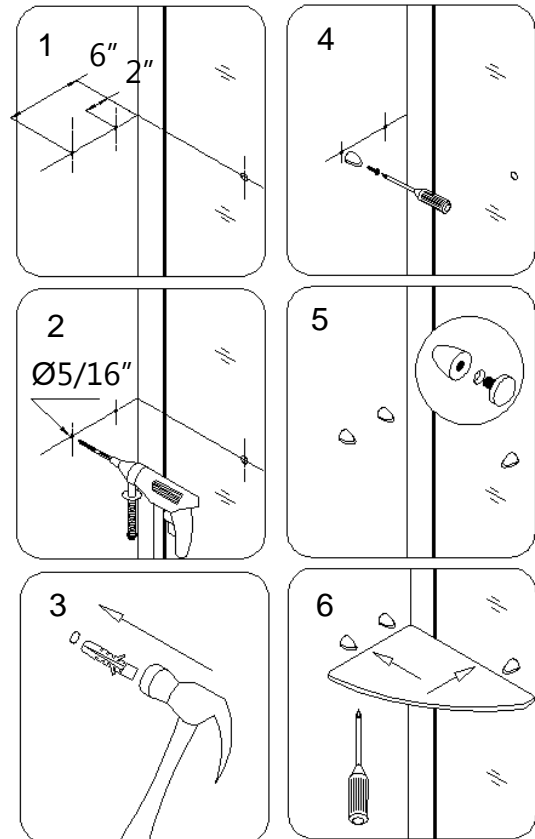


Fig. 25

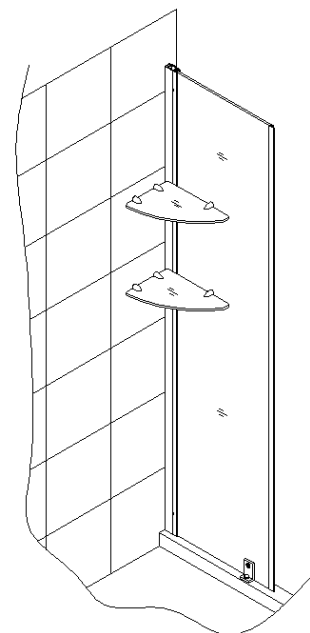
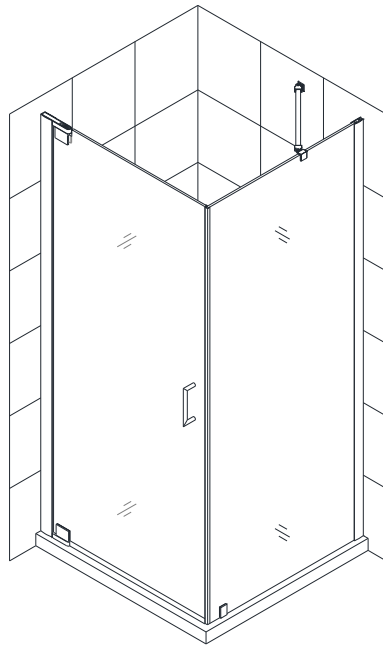


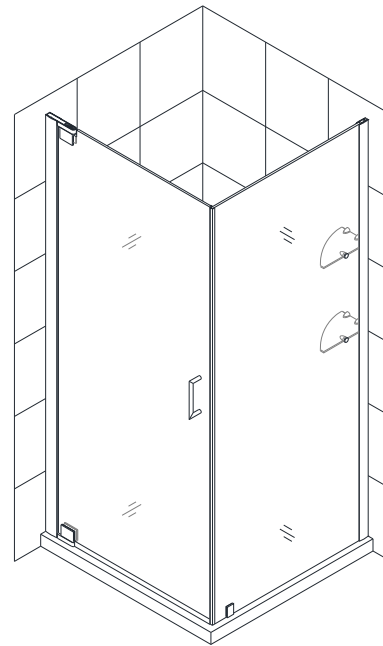
Fig. 26

## Style "C" and "D": Shower Enclosure Assembly and Installation

**NOTE: Use parts from Diagram "A" and Diagram "B" or "C" (depends on your model style) for the Shower Enclosure assembly and installation.**



**Style C**



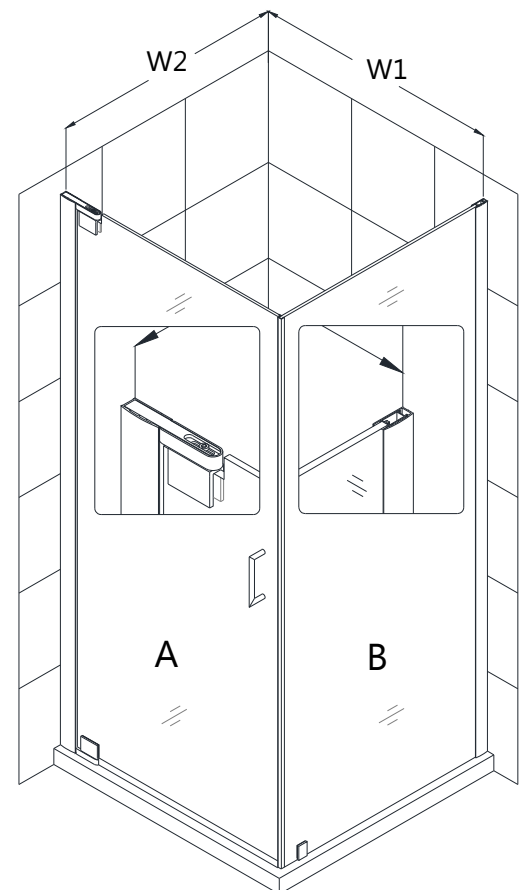
**Style D**

25. Please draw the vertical lines on the wall for the Glass door **A** and the Return panel **B** according to the size of your model in the size table below.

See Fig. 27 for details.

### **Size Table:**

A	W1
SHDR-GL4121-307210	28 1/8"(716mm)
SHDR-GL4121-327210	30"(761mm)
SHDR-GL4121-347210	31 3/4"(806mm)
B	W2
SHDR-GL2012-307210	29 1/2"(748mm)
SHDR-GL2012-327210	31 1/2"(800mm)
SHDR-GL2012-347210	33 3/8"(849mm)



**Fig 27**

26. Apply clear silicone along the inner channel of the **Glass profile (04)** and push the **Stationary glass (21)** inside the channel.

**NOTE:** If you have difficulty sliding the **Glass profile** over the **Stationary glass**, you can slightly tap on the **Glass profile** with a rubber mallet and a piece of wood. Please do not strike directly on the profile.

See Fig. 28 for details.

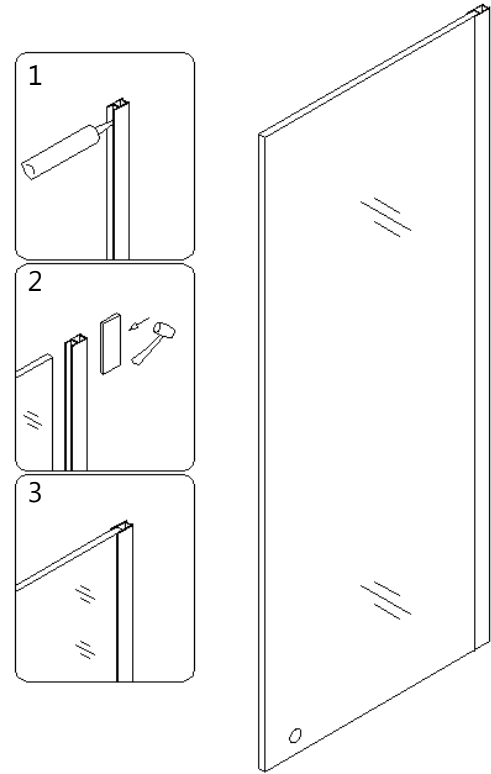


Fig 28

27. Place the **Wall profile for glass door (01)** on the shower base or the threshold vertically against the finished wall.

Adjust the **Wall profile for glass door** vertically using a level.

Mark the drill holes on the wall through the predrilled holes in the **Wall profile for glass door**.

Now drill holes in the wall and insert the **Wall anchor (12)**

See Fig. 29 for details.

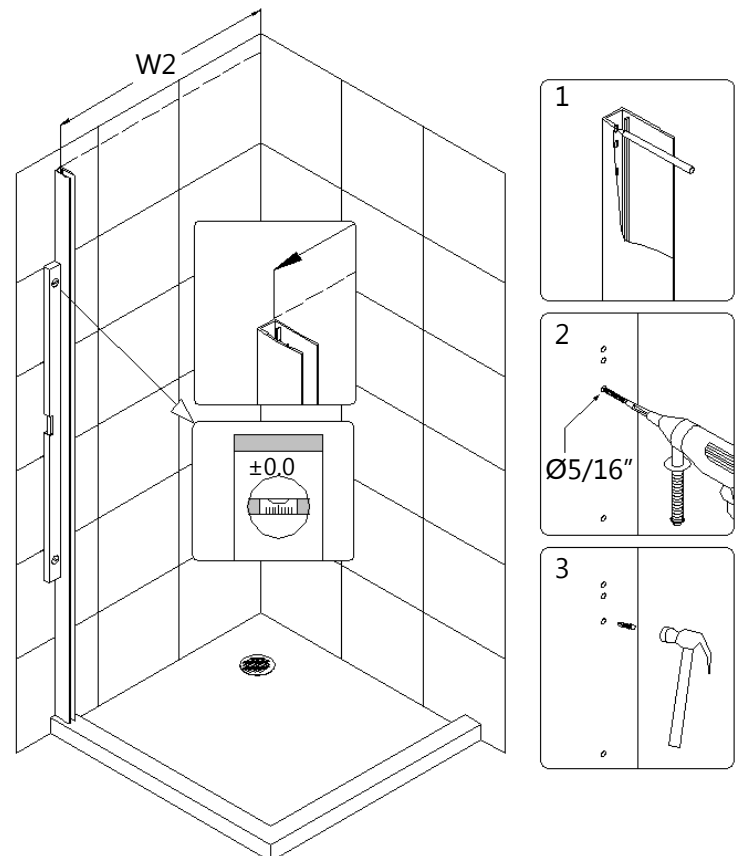


Fig 29

28. Push the **Pivot retainers (08)** into both ends of the **Wall profile for glass door (01)**.

See fig. 30 for details.

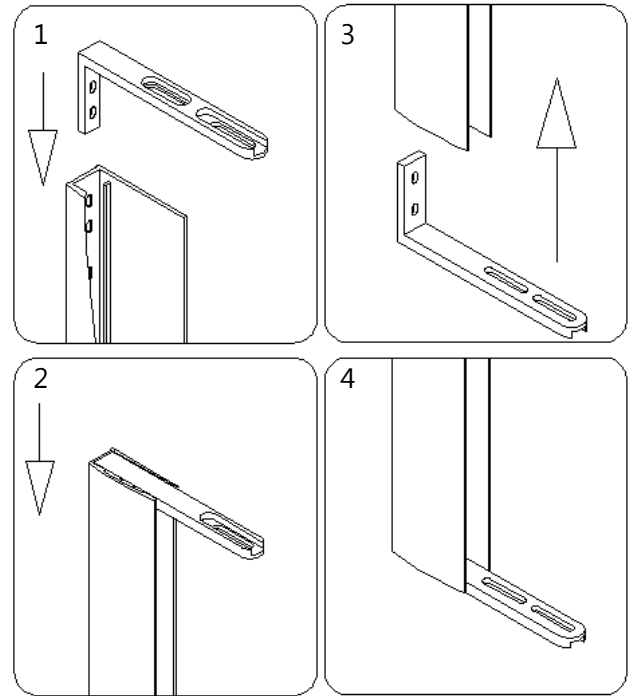


Fig 30

29. Run a silicone bead along the holes on the wall.

Attach the **Wall profile for glass door (01)** and **Pivot retainer (08)** to the wall using **Big flat head screws ST4.2×40 (16)**.

See fig. 31 for details.

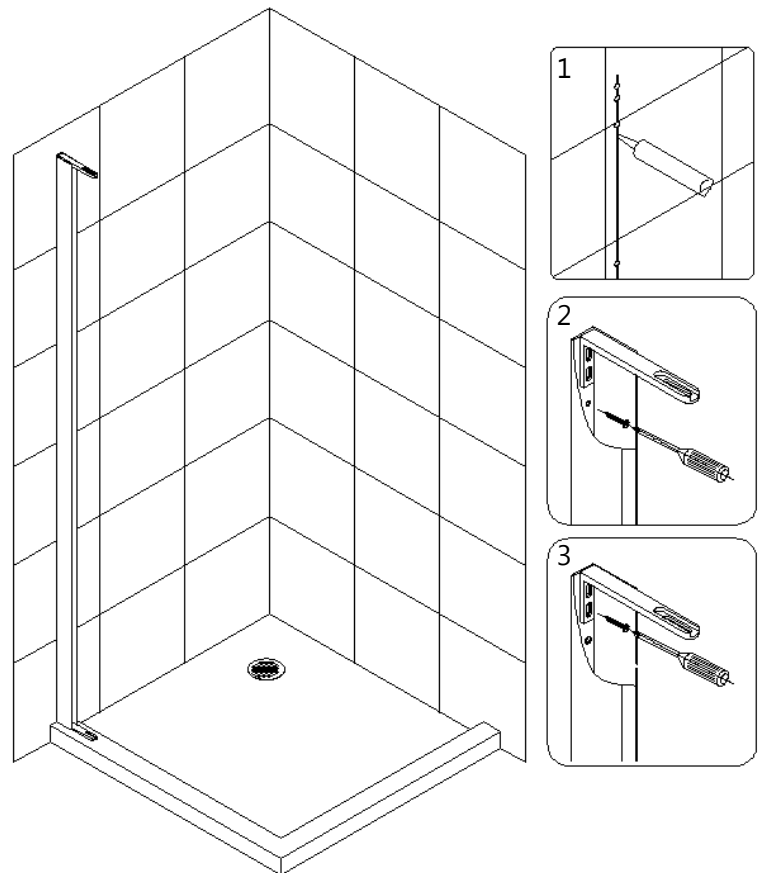


Fig 31



30. Attach the **Pivot assembly (07)** to the top and the bottom ends of the **Glass profile for glass door (02)** with the **Flat head screws ST4.2×25 (15)** and **M4×16 bolt (13)**.

See Fig. 32 for details.

**NOTE:** The **Back plate (K)** of the **Pivot assembly** should face inside of your shower.

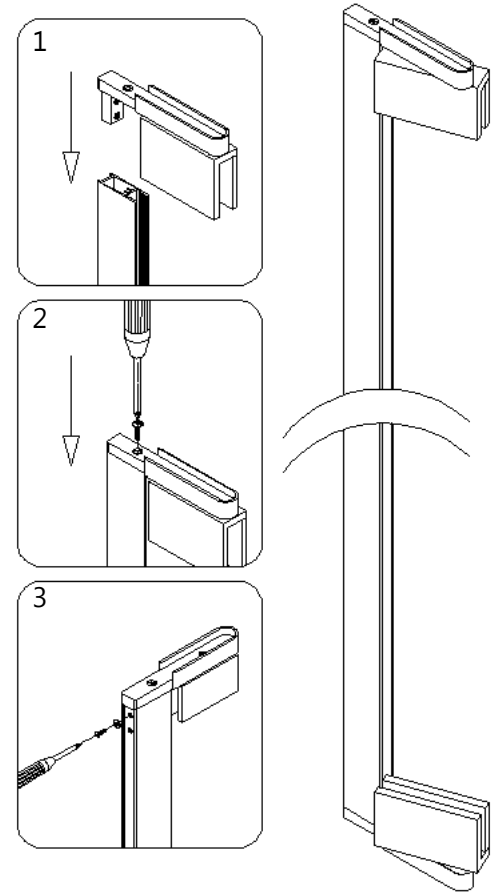


Fig 32

31. Slide the **Glass profile for glass door (02)** with **Pivot assemblies (07)** into the groove of the **Wall profile for glass door (01)** and secure the upper **Pivot retainer (08)** to the upper **Pivot assembly (07)** with **Round head socket bolt M6×12 (17)**.

See fig. 33 for details.

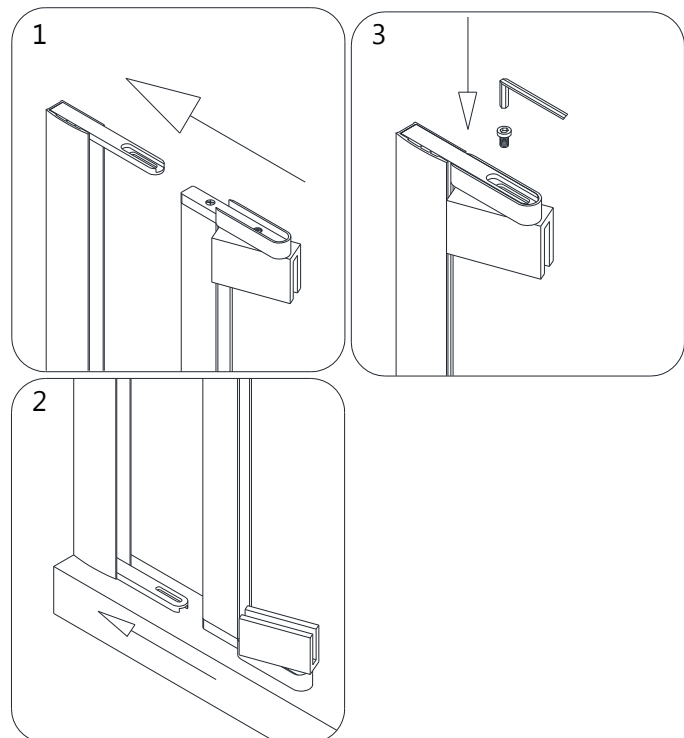


Fig 33

**NOTICE:**

**The Glass door has 2 cuts for the Pivot assemblies.  
The deeper cut must be on the top.**

32. Remove the **Bolts (L)** and **Back plates (K)** from the upper and bottom **Pivot assemblies (07)**.

Place the **Glass door (03)** to the **Pivot assemblies**, attach **Back plates (K)** to its position and fasten tight the **Bolts**.

Make sure the clear rubber **Spacers (J)** are in between the glass and the metal parts. Secure tight the **Glass door** to the **Pivot assemblies**.

See fig. 34 for details.

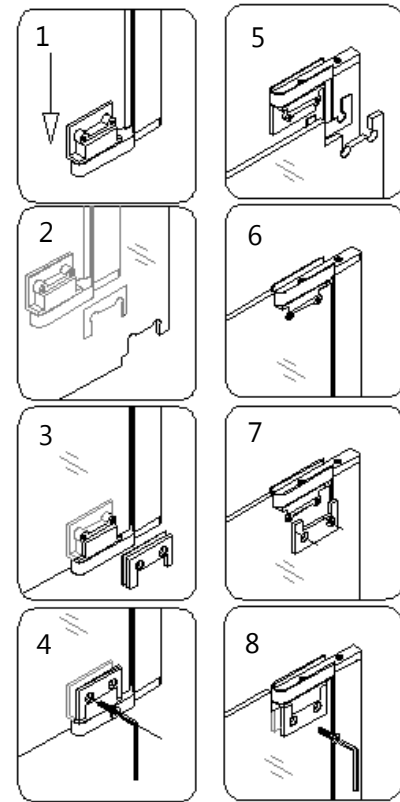


Fig 34

33. Mount the **Handle (06)** onto the **Glass door (03)**.

See fig. 35 for details.

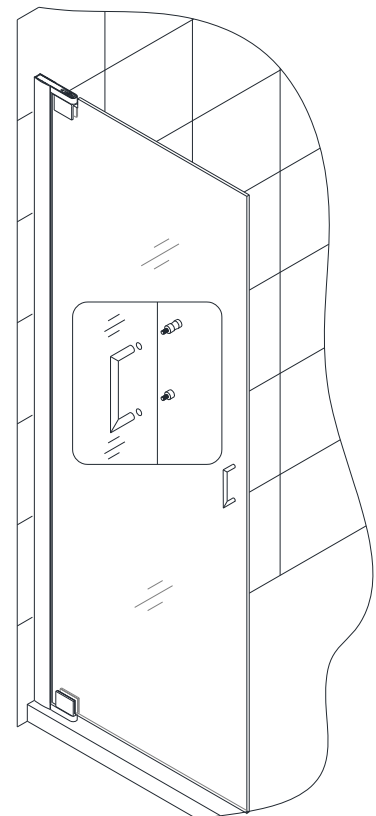


Fig 35

34. Press the **Anti-water strip (29)** onto the vertical edge of the **Stationary glass (21)**.

Carefully butt the **Stationary glass** up against the wall vertically according to the measurements in size table.

While securely holding the **Stationary glass**, close the **Glass Door (03)** and align the **Stationary glass** to it.

If needed, adjust the position of the **Stationary glass** to make sure the **Anti-Water strip** makes tight contact to the **Glass Door** from top to bottom. Outline the position of the **Wall profile (05)** on the wall from inside the shower.

See fig. 36 for details.

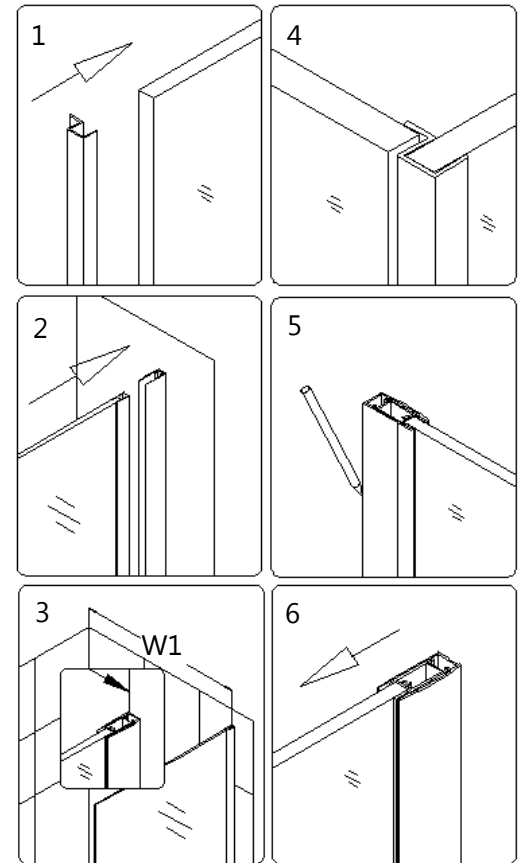


Fig 36

35. Detach the **Wall profile (05)** from the **Glass profile (04)**. Place the **Wall profile** to the outlined position and mark the drilling holes through the predrilled holes in the **Wall profile**.

Drill the holes using  $\text{Ø } 5/16''$  drill bit in the wall.

Insert the **Wall anchors (12)** into the holes and apply silicone along the **Wall profile** and around the holes.

Fasten the **Wall profile** to the wall with the **Big flat head Screw ST4.2×40 (16)**.

Push the **Stationary glass (21)** with the **Glass profile (04)** back into the **Wall profile**.

See fig. 37 & 38 for details.

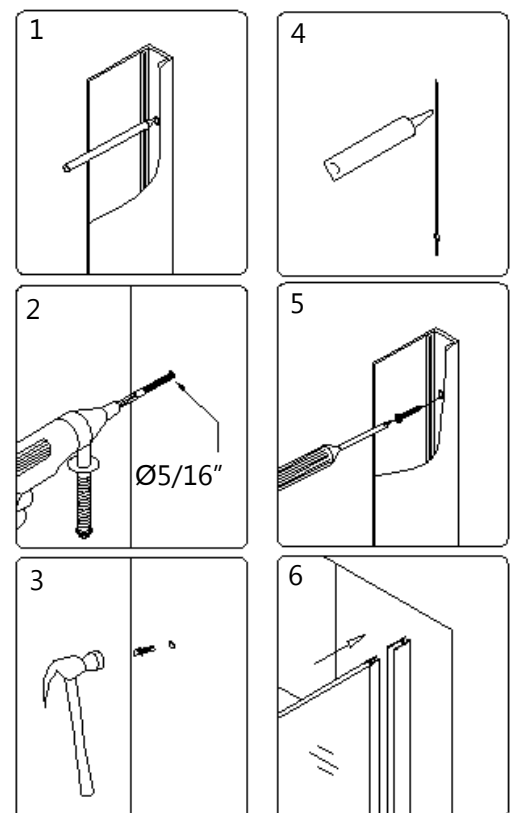


Fig 37

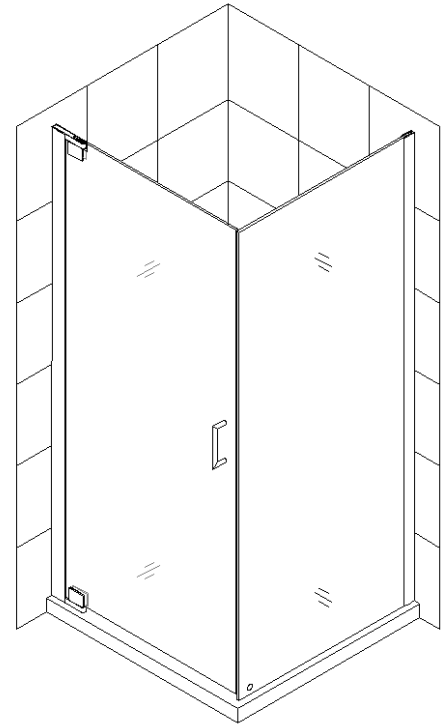


Fig 38

36. Push the **Anti-water strip (10)** into the vertical groove of the **Glass profile for glass door (02)**. Attach the **Bottom anti-water strip (11)** onto the glass door.  
 (You can cut the strips to size by using a knife).

See Fig. 39 for details.

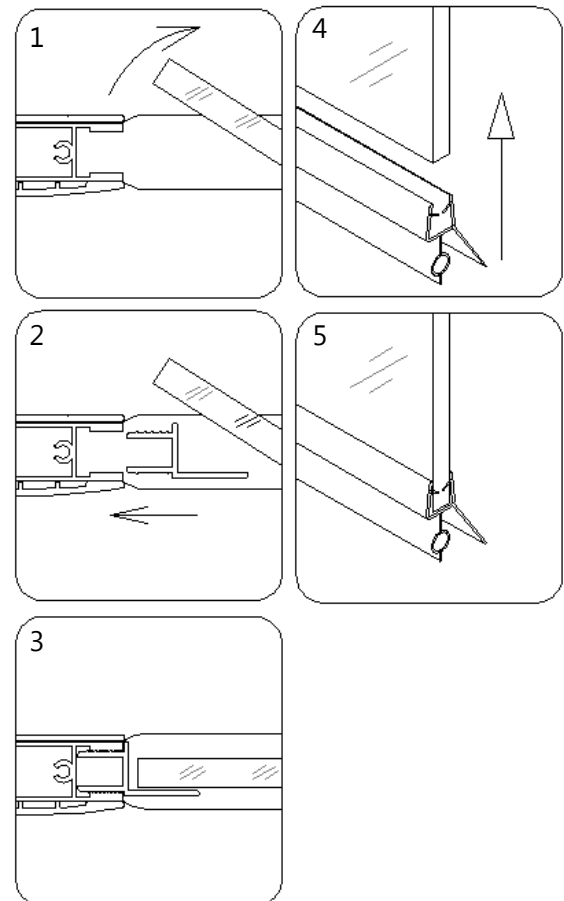


Fig 39

37. Adjust the width of the opening section of the **Glass door (03)** by loosen the holding screws on the **Pivot assemblies (07)**. Level the **Glass door** and the **Stationary glass (21)** position to ensure the **Glass door** has a tight contact to the flange of the **Anti-water strip (10)** from top to bottom.

Install the **Bracket (27)** onto the **Stationary glass** and drill the hole using  $\text{Ø } 1/8''$  drill bit.

Use **Round head screws ST4.2×25 (25)** to attach the **Bracket** to the shower base or the threshold.

Cover the screw location with **Decorative cover (26)**.

See fig. 40 for details.

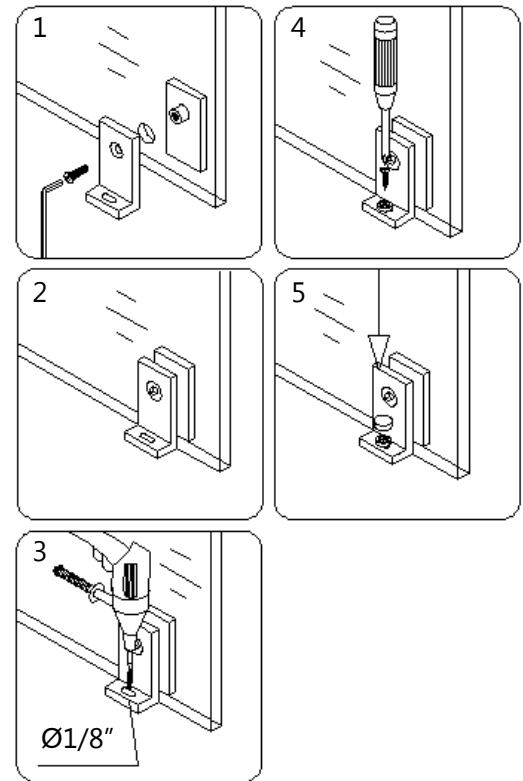


Fig 40

38. Close the hole in the bottom **Pivot retainer (08)** with **Flat head socket bolt M6×12 (18)** or you can attach the **Pivot retainer** to the Shower base or threshold using **Big Flat head screw ST4.2×40 (16)**.

Apply silicone sealant over the **Screw (16)** or **Bolt (18)** to prevent leakage.

See fig. 41 for details.

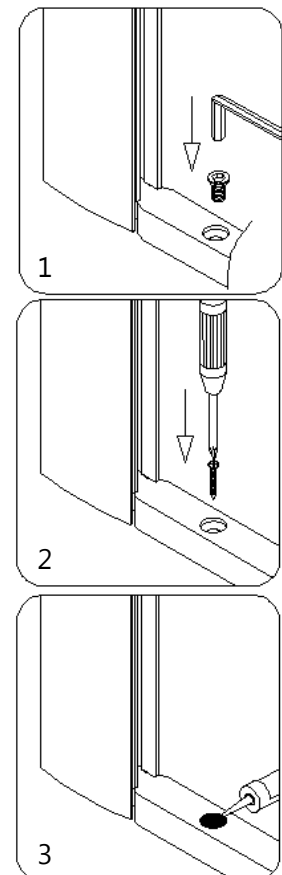


Fig 41

39. Do the final adjustment if necessary. Make sure the **Glass door (03)** closes tight to the **Anti-Water strip (29)**.

See fig. 42 for details.

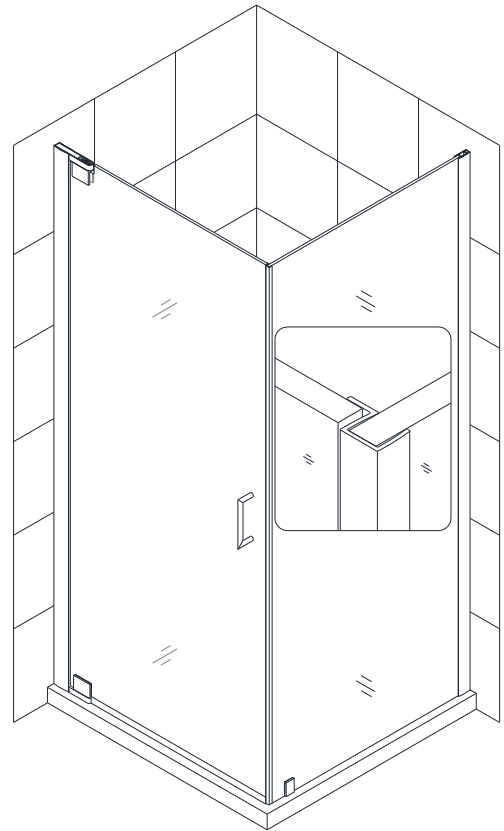


Fig 42

40. After final adjustments of the **Assembled unit** drill the holes in the **Glass profiles (02)** and **(04)** through predrilled holes in the **Wall profiles (01)** and **(05)** using  $\text{Ø } 1/8''$  drill bit.

**NOTE:** You only need to drill through the first layer of the **Glass Profile**.

Use **Round head screws ST4.2×10 (14)** to secure the **Glass profiles** inside of the **Wall profiles**. Cover the exposed screw holes with **Decorative cover (09)**.

See fig. 43 for details.

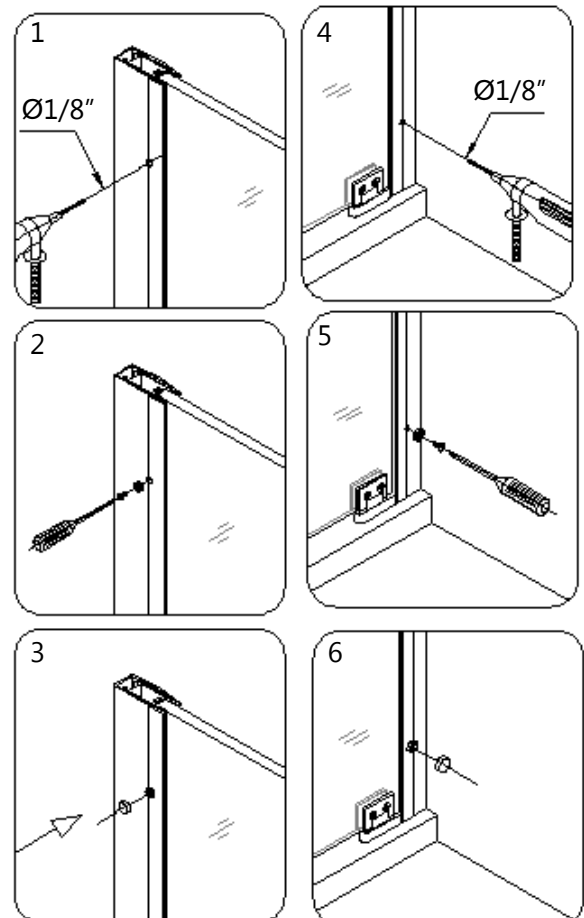


Fig 43

41. Apply silicone sealant between the tray or threshold, the stationary glass and the accessory.  
Also, apply silicone between the wall and the wall profiles.

See fig. 44 for details.

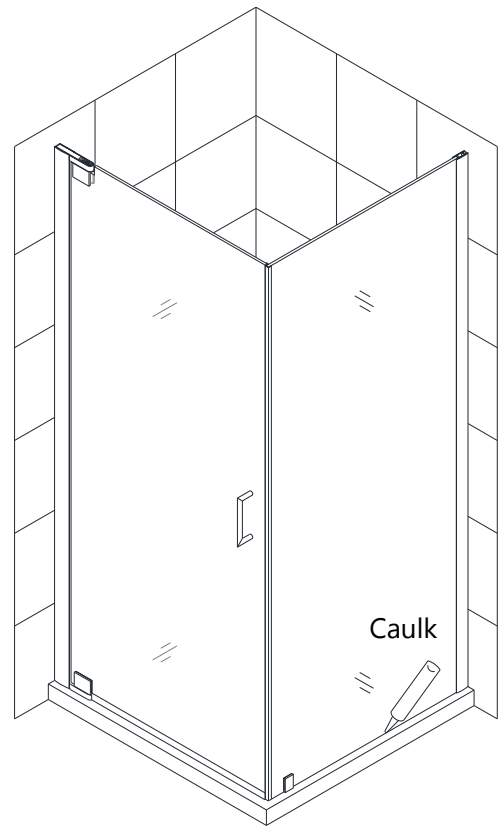
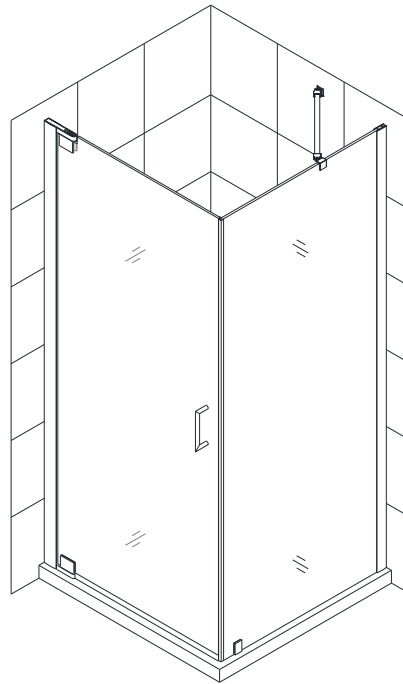


Fig 44

## Style "C":      Support Bar Assembly and Installation

**NOTE: Use parts from Diagram "C" for the Support Bar assembly and installation.**



### 42. Locate the **Support bar (22)**.

Adjust the bar to a proper position on the glass and the wall. Level it horizontally. Hold it firmly and outline the bracket's position on the wall. Remove the **Support bar** and detach the wall bracket from it. Place the wall bracket against its outlined position on the wall and mark the drilling hole.

Drill the hole using  $\text{Ø } 5/16''$  drill bit, insert the **Wall anchor (23)** and fasten the wall bracket to the wall with the **Big flat head screws ST4.2×40 (24)**. Attach the **Support bar** to the wall as shown on Fig. 45.6 and tighten the set screws and the glass holding screw to secure the glass.

See fig. 45 for details.

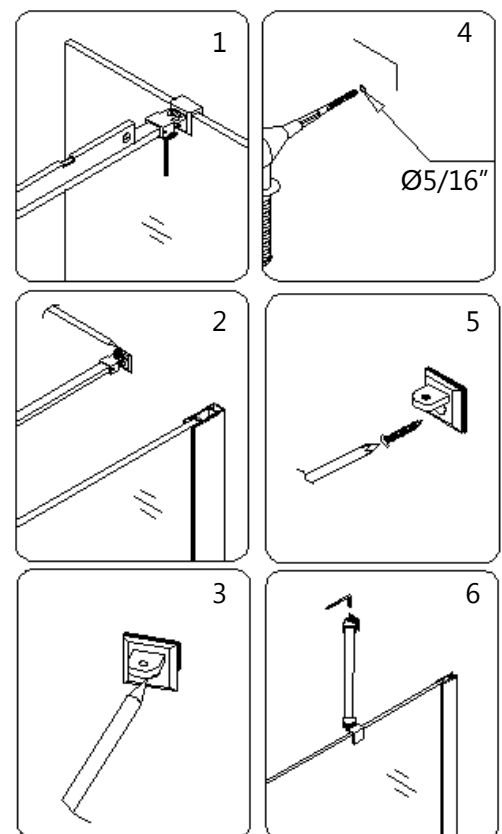


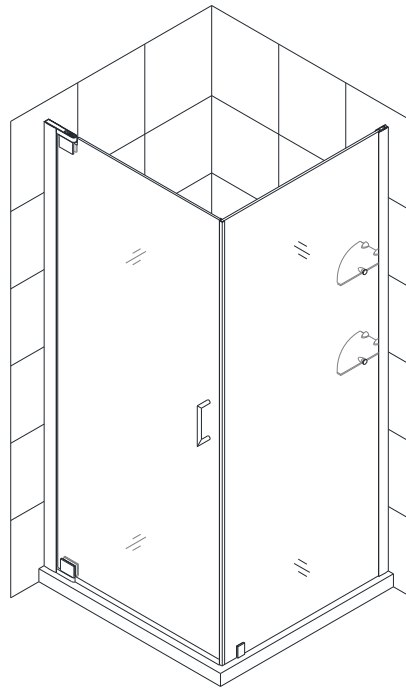
Fig. 45



## Style "D":

## Glass Shelves Assembly and Installation

**NOTE: Use parts from Diagram "B" for the Glass Shelves assembly and installation.**



43. Mark the **Glass shelf (22)** position on the wall. According to the measurements in Fig. 46.1, mark the drilling holes for the **Shelf brackets (without nut) (31)**.

Drill the holes using  $\text{Ø } 5/16''$  drill bit and insert the **Wall anchors (23)**.

Attach the **Shelf brackets (without nut)** to the wall using the **Countersunk screw ST4.2×40 (32)** and attach the **Shelf brackets (with nut) (30)** to the **Stationary glass (21)**.

Insert the **Glass shelves** into the **Shelf brackets** and fasten the screws at the bottom of the brackets.

See fig. 46 for details.

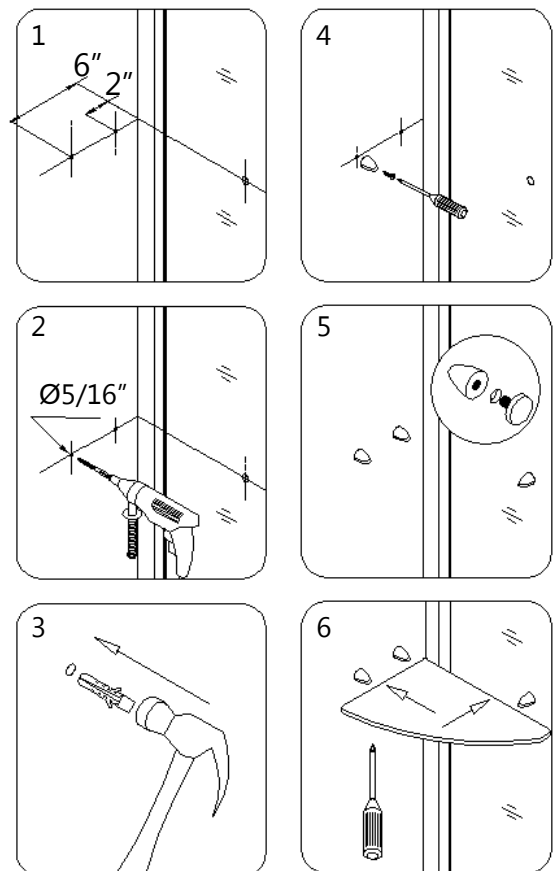


Fig 46

## **Maintenance**

To insure long lasting life for your acrylic back walls, wipe them off after each use with a soft cloth. To clean the acrylic back walls use non-abrasive sprays or cream based cleaners. Never use abrasive cleansers, metal brushes or scrapers that could scratch or dull the surface.

To insure long lasting life for your glass shower products, wipe them off after each use with a soft cloth. Rinse and wipe of the glass using either soft cloth or squeegee to prevent soap buildup. Never use abrasive cleaners and cleaning products that contain scoring agent because this may scratch the surface. Never use bristle brushes or abrasive sponges.

To assure a long lasting finish wipe off the metal parts after each use with a soft cloth. Do not use abrasive cleaners or cleaning products containing ammonia, bleach or acid. If accidentally used, rinse the surface as soon as possible to prevent finish peeling or corrosion. After cleaning the shiny finishes, rinse thoroughly and wipe dry with soft cloth. Clean stainless steel surfaces at least once a week. When applying stainless steel cleaner or polish, work with (not across) the grain. Never use abrasive sponge or cloth, steel wool or wired brushes.

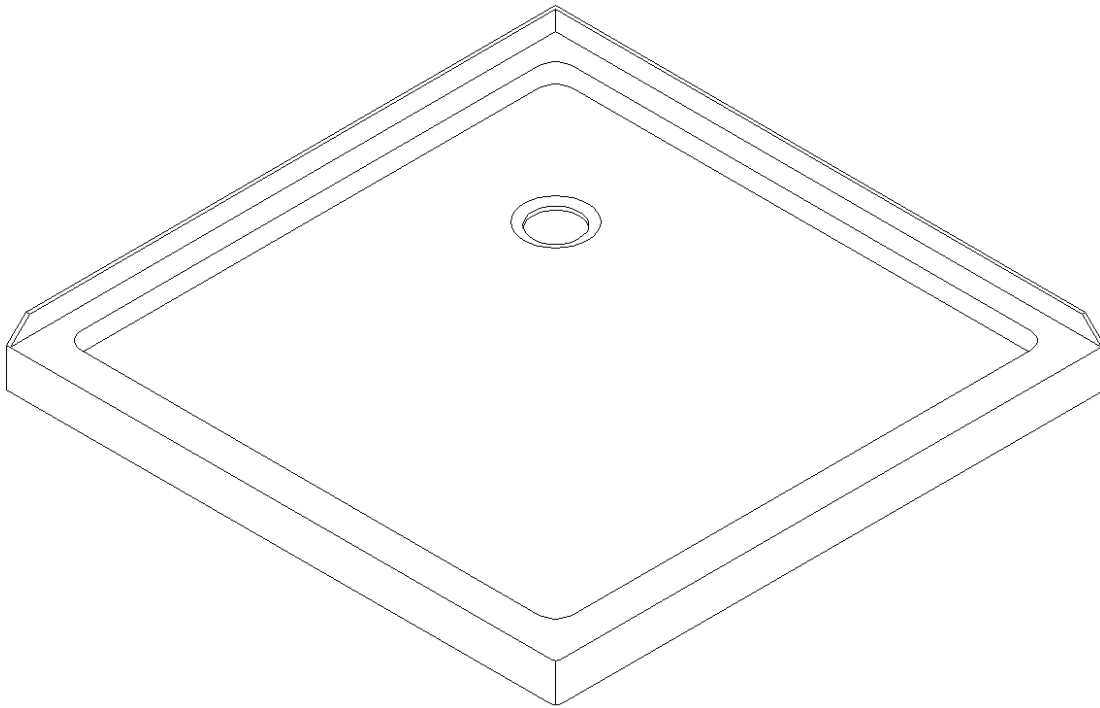


## SLIMLINE SHOWER BASE

### SHOWER BASE DIMENSIONS AND INSTALLATION INSTRUCTIONS

#### IMPORTANT

DreamLine™ reserves the right to alter, modify or redesign products at any time without prior notice. For the latest up-to-date technical drawings, manuals or any other details please refer to the [support.BathAuthority.com](http://support.BathAuthority.com) web page.



Please read these instructions carefully before installing. If you have any questions regarding installation, please call our technical support specialists Monday through Friday 9:00 AM – 5:00 PM EST at Phone: [1-866-731-2244](tel:1-866-731-2244), Fax: [1-866-227-1533](tel:1-866-227-1533) or e-mail our technical support group at [support@BathAuthority.com](mailto:support@BathAuthority.com).

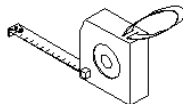
For more information on [DreamLine™ Shower Bases](http://www.BathAuthority.com) please visit [www.BathAuthority.com](http://www.BathAuthority.com)

## **Preparation**

1. Examine boxes and packages for shipping damage. Carefully remove Shower base from the packaging and check for any visual defects or shipping damages. If the unit has been damaged, has a finishing defect, or has missing parts, please contact our customer support department within 5 business days of the delivery date. Please note that **DreamLine™ will not replace any damaged products or missing parts free of charge after 5 business days or if the product has been installed.** Feel free to contact DreamLine™ if you have any questions.
2. Install all of the required plumbing and drainage before installing the shower. **Use a competent and licensed (if required by local code) plumber for all plumbing installation.**
3. **Please note that you should consult your local building codes with questions on installation compliance standards. Building and plumbing codes may vary by location, and DreamLine is not responsible for code compliance standards for your project.**
4. Please insure that prior to the installation the installation surface is leveled and solid and will be able to support the total weight of the unit. Also make sure the walls are at right angles. While some adjustment in leveling of the tray is possible, irregular installation surface level or improper angle of side walls will result in serious problems for your installation. Please, note that some adjustments and drilling might be necessary during the installation process.

**IMPORTANT NOTE: Dimensions provided for reference only. You must measure the actual shower tray sizes before installation. Allowed tolerance for center of the drain is  $\pm 1/2$ ".**

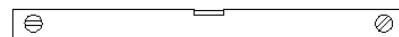
## **Tools Required**



Tape  
Measure



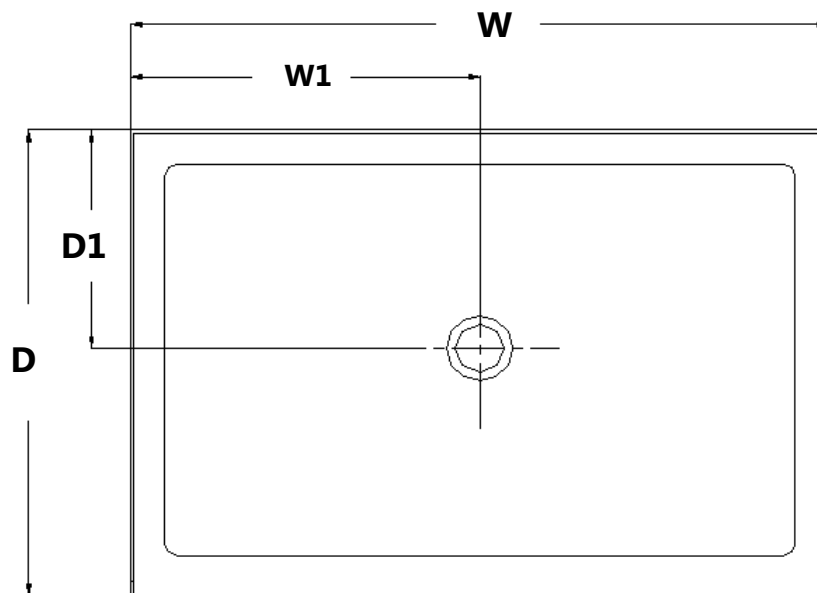
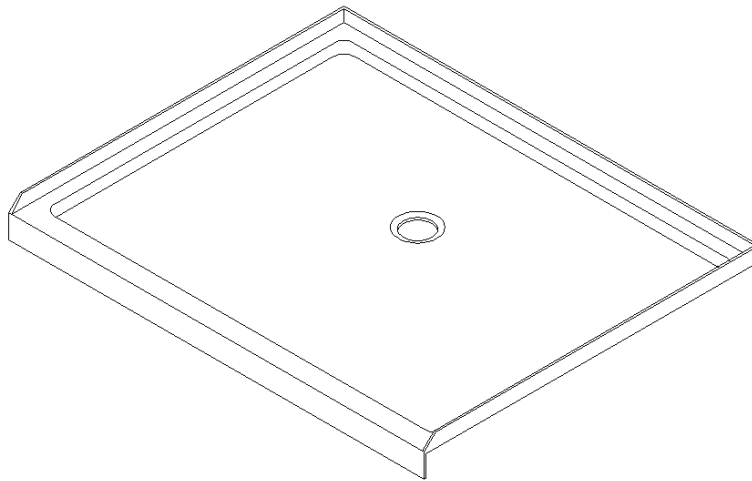
Pencil



Level

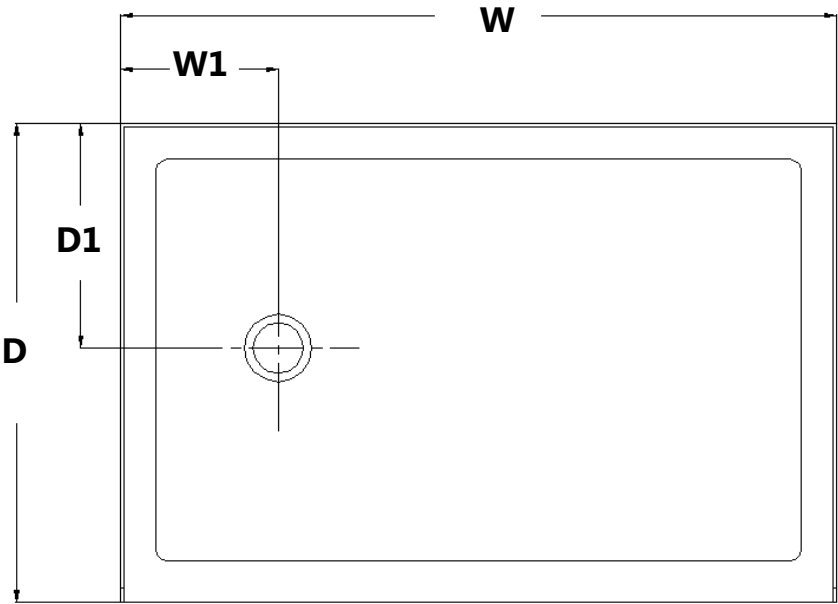
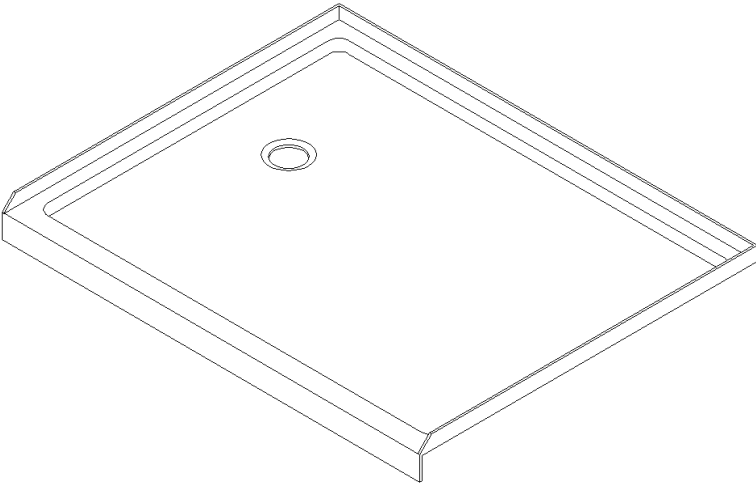
# SINGLE THRESHOLD SHOWER BASE

## Center Drain Configuration



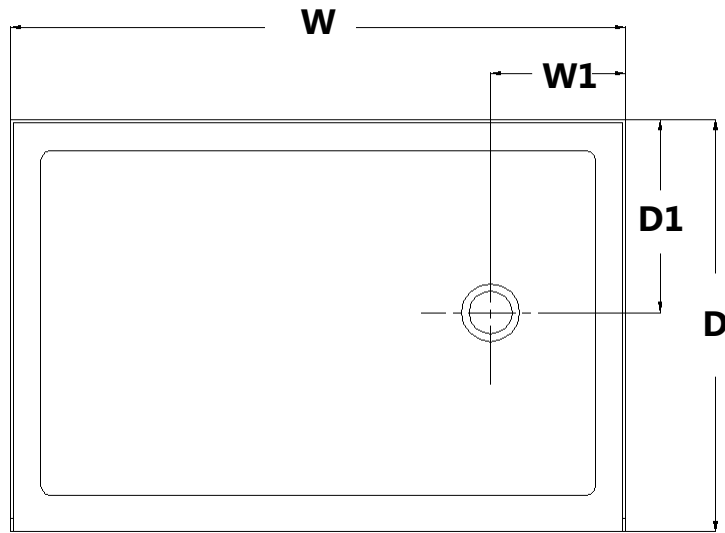
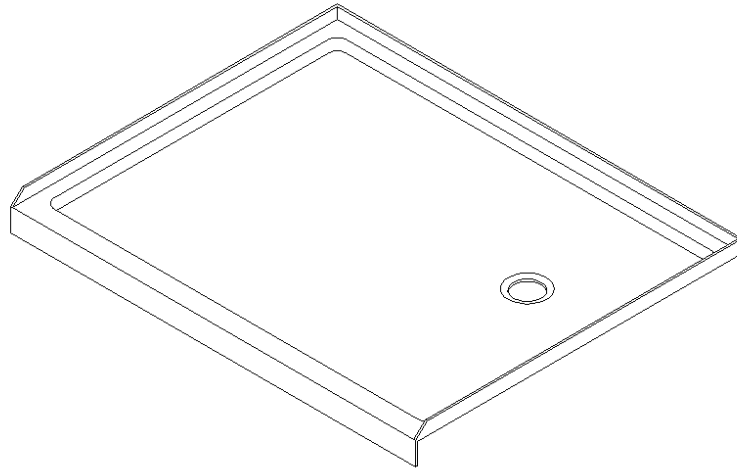
MODEL	SPECIFICATION	D (in)	W (in)	D1 (in)	W1 (in)
DLT-1132320	32"×32"	32"	32"	16"	16"
DLT-1136360	36"×36"	36"	36"	15"	18"
DLT-1136480	36"×48"	36"	48"	15"	24"
DLT-1130600	30"×60"	30"	60"	15"	30"
DLT-1132600	32"×60"	32"	60"	15"	30"
DLT-1134600	34"×60"	34"	60"	15"	30"
DLT-1136600	36"×60"	36"	60"	15"	30"

**Left-Hand Drain Configuration**



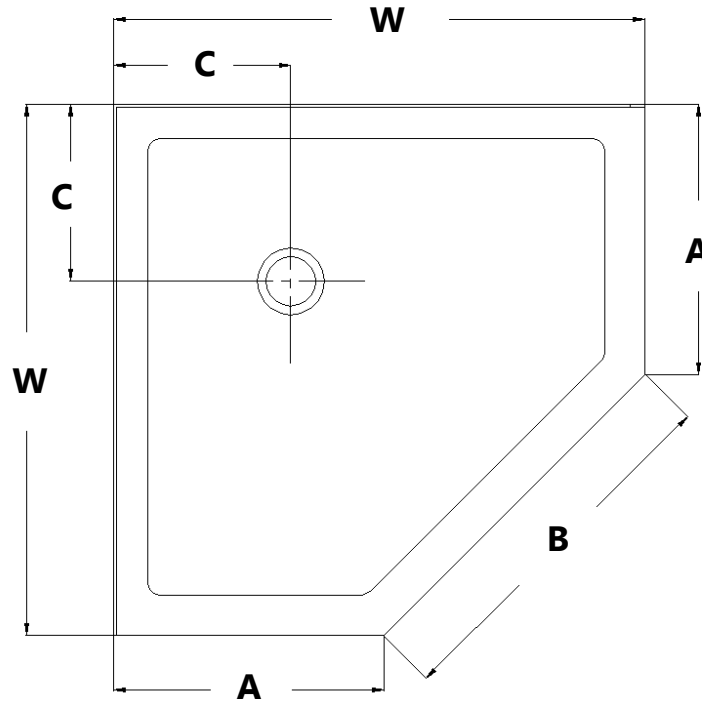
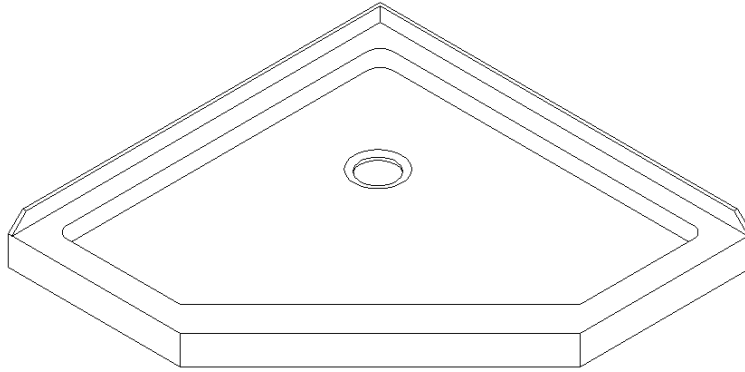
<b>MODEL</b>	<b>SPECIFICATION</b>	<b>D (in)</b>	<b>W (in)</b>	<b>D1 (in)</b>	<b>W1 (in)</b>
DLT-1130601	30"×60"	30"	60"	15"	12"
DLT-1132601	32"×60"	32"	60"	15"	12"
DLT-1134601	34"×60"	34"	60"	17"	12"
DLT-1136601	36"×60"	36"	60"	18"	12"

## Right-Hand Drain Configuration



<b>MODEL</b>	<b>SPECIFICATION</b>	<b>D (in)</b>	<b>W (in)</b>	<b>D1 (in)</b>	<b>W1 (in)</b>
DLT-1130602	30"×60"	30"	60"	15"	12"
DLT-1132602	32"×60"	32"	60"	15"	12"
DLT-1134602	34"×60"	34"	60"	17"	12"
DLT-1136602	36"×60"	36"	60"	18"	12"

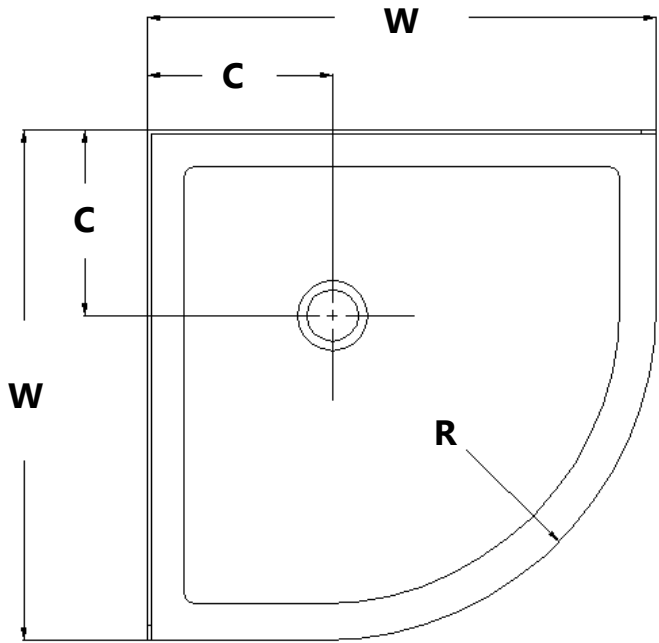
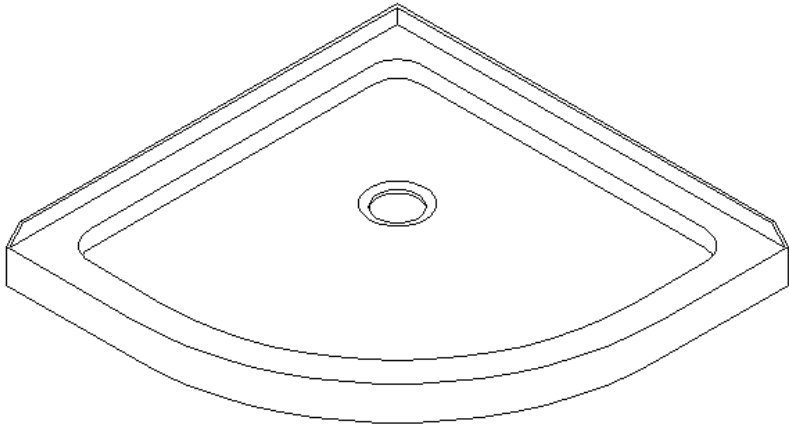
# NEO SHOWER BASE



MODEL	SPECIFICATION	W (in)	A (in)	B (in)	C (in)
DLT-2036360	36"×36"	36"	18 5/16"	25"	12"
DLT-2038380	38"×38"	38"	20 5/16"	25"	12"
DLT-2040400	40"×40"	40"	22 5/16"	25"	14 3/8"
DLT-2042420	42"×42"	42"	24 5/16"	25"	14 3/8"



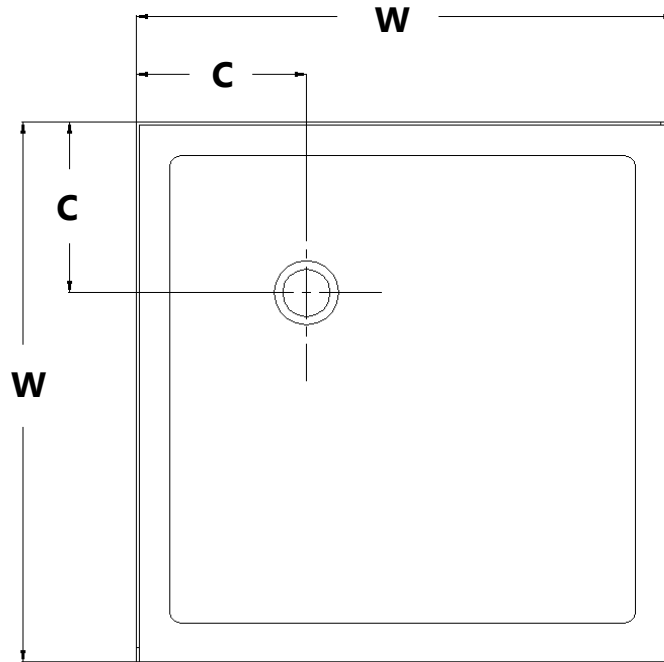
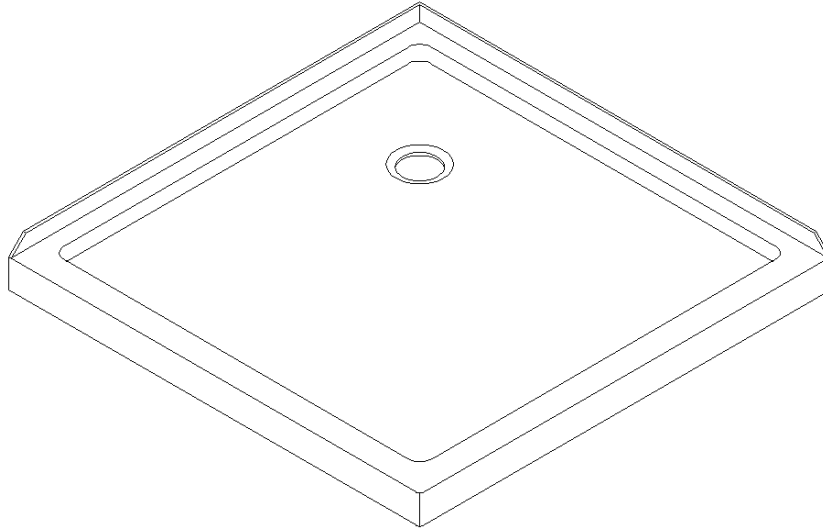
# QUARTER ROUND SHOWER BASE



MODEL	SPECIFICATION	W (in)	C (in)	R (in)
DLT-7033330	33"×33"	33"	12"	21 5/8"
DLT-7036360	36"×36"	36"	12"	21 5/8"
DLT-7038380	38"×38"	38"	12"	21 5/8"

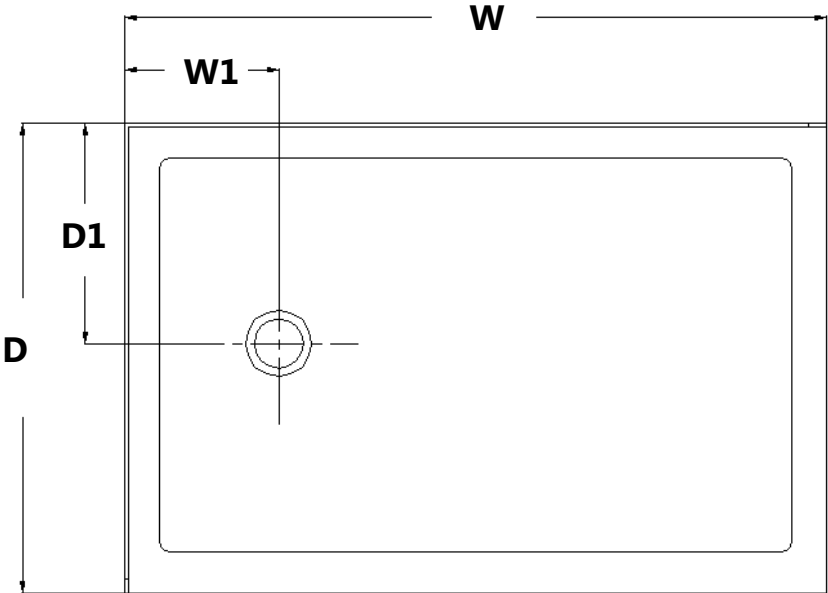
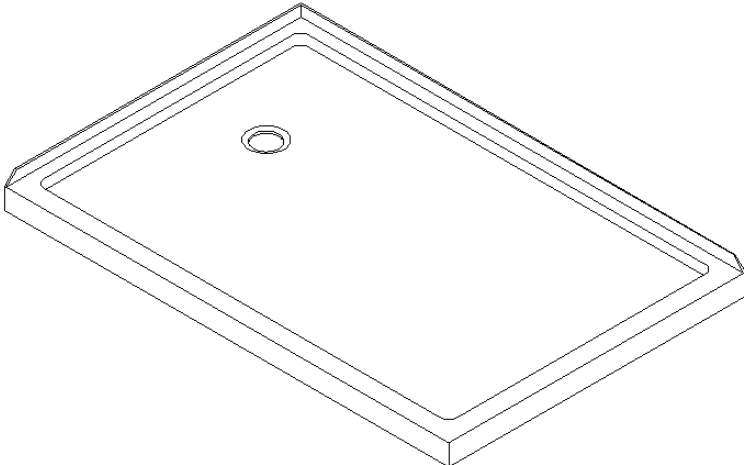
# DOUBLE THRESHOLD SHOWER BASE

## Corner Drain Configuration



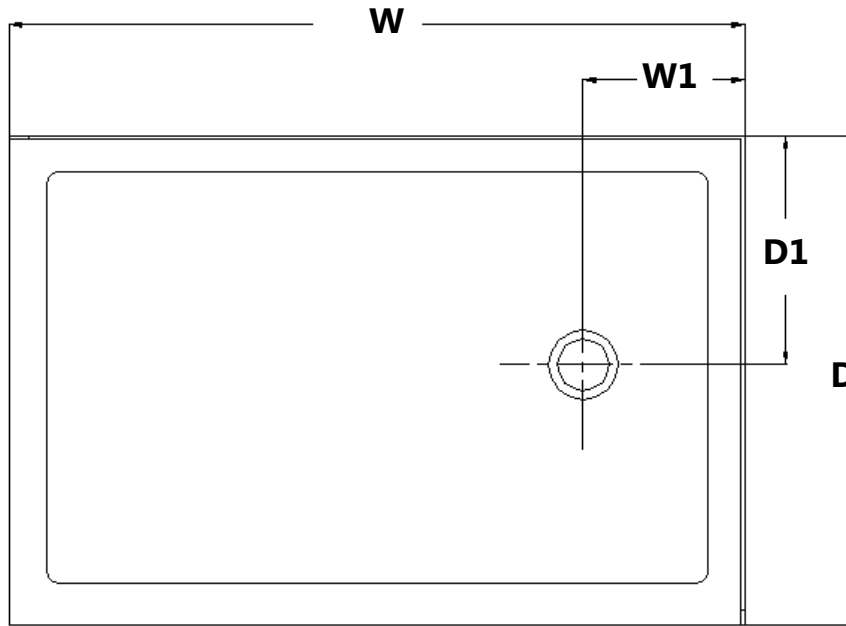
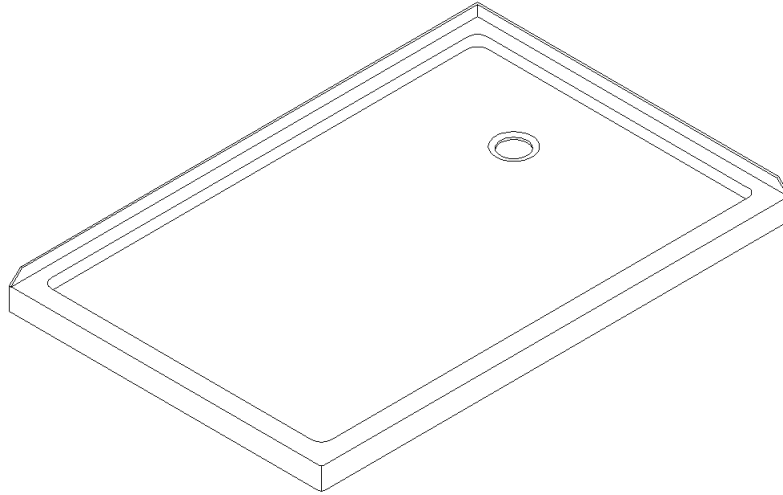
MODEL	SPECIFICATION	W (in)	C (in)
DLT-1032320	32"×32"	32"	12"
DLT-1036360	36"×36"	36"	12"

**Left-Hand Drain Configuration**



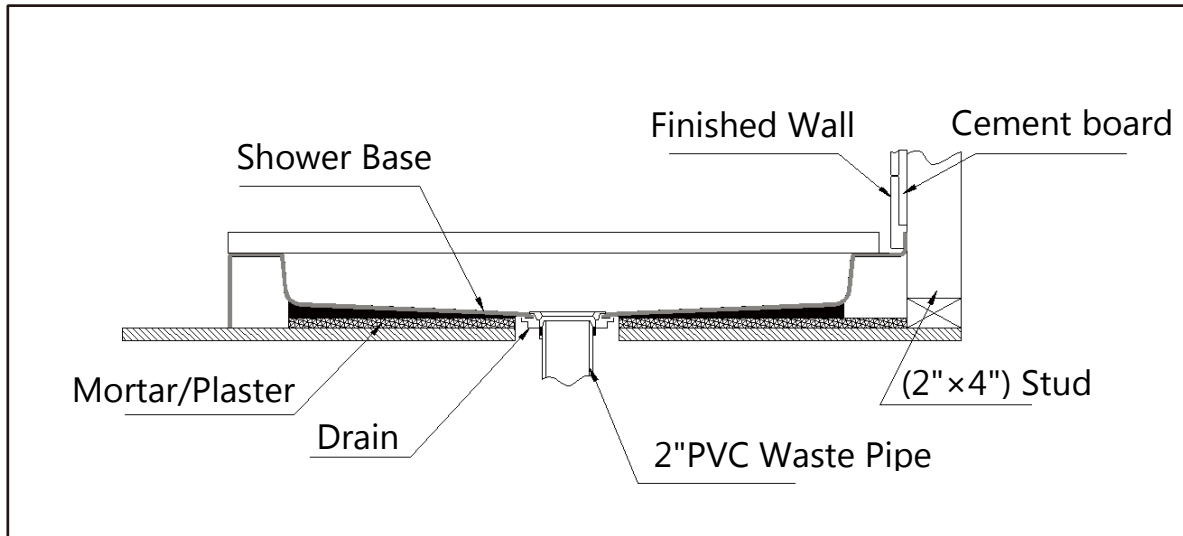
<b>MODEL</b>	<b>SPECIFICATION</b>	<b>D (in)</b>	<b>W (in)</b>	<b>D1 (in)</b>	<b>W1 (in)</b>
DLT-1034481	34"×48"	34"	48"	17"	12"
DLT-1036481	36"×48"	36"	48"	18"	12"
DLT-1036601	36"×60"	36"	60"	18"	12"

## Right-Hand Drain Configuration



MODEL	SPECIFICATION	D (in)	W (in)	D1 (in)	W1 (in)
DLT-1034482	34"×48"	34"	48"	17"	12"
DLT-1036482	36"×48"	36"	48"	18"	12"
DLT-1036602	36"×60"	36"	60"	18"	12"

## Diagram of the Shower Base in a Cross Section



## Shower Base Installation Preparation

1. Ensure that the floor and the studs are at right angle.  
Provide a 5"×5" opening in the sub-floor for the drain.  
The 2" PVC waste pipe should extend above the surface of the sub-floor according to the drain installation instructions and the height of the Shower base.  
Refer to the product drawings in these installation instructions for the drain location.

See Fig. 1 and Fig. 2 for details.

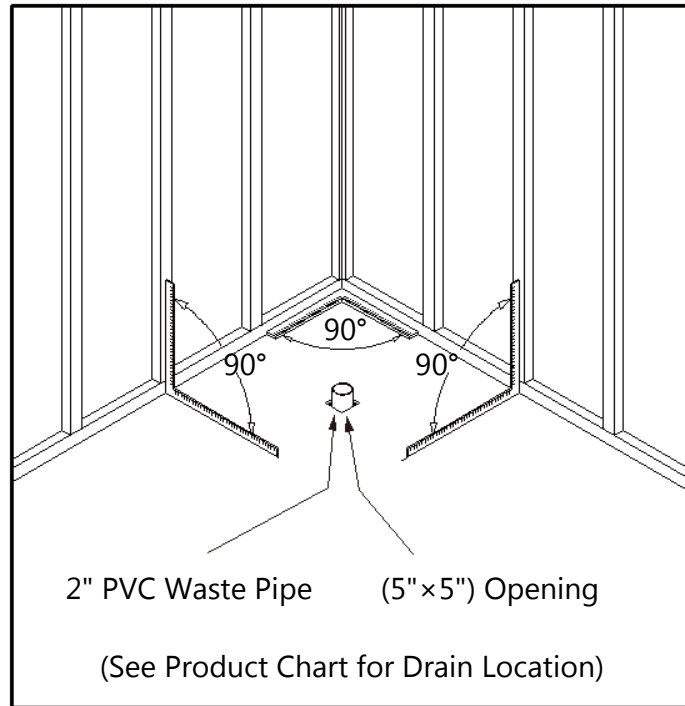


Fig. 1

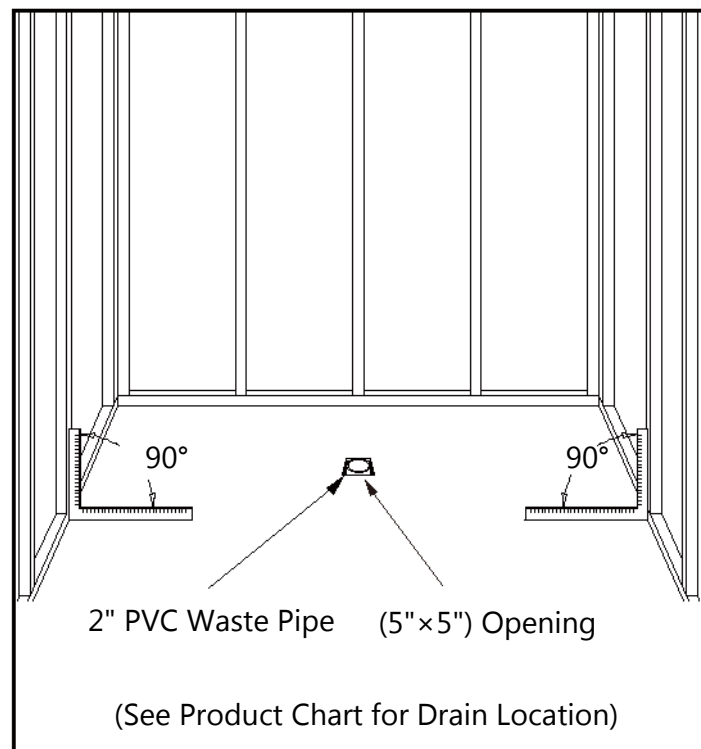


Fig. 2



- Level the tray and place marks on the studs above the upper edge of the tile flange.

See Fig. 5 for details.

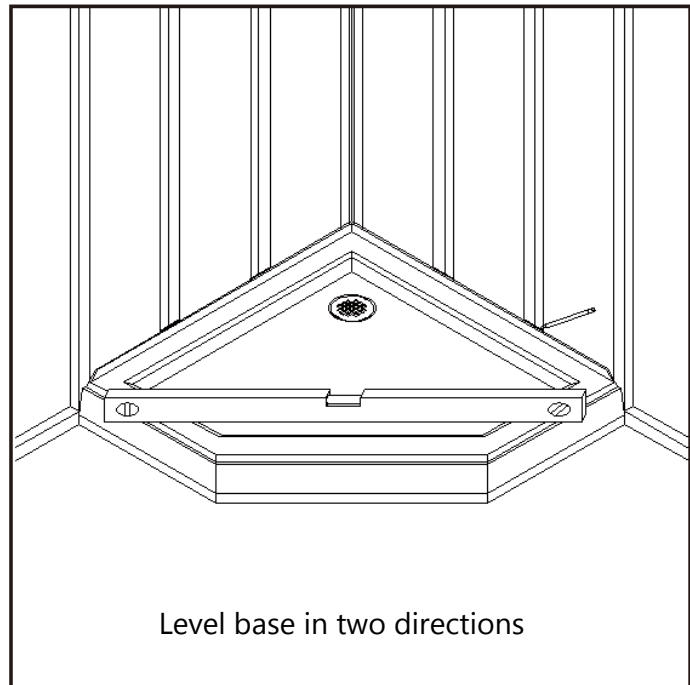


Fig. 5

- Mix the bedding material (Mortar, Plaster, etc). **Concrete is not recommended.** Apply enough bedding material to support the entire bottom of the shower base.

See Fig. 6 for details.

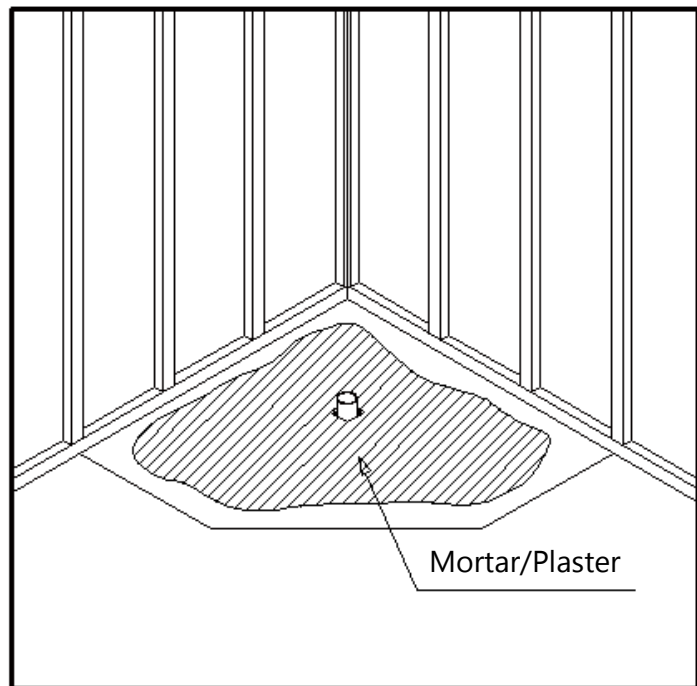


Fig. 6



6. After the bedding material has been poured and before it sets, place the shower base into the position with the drain assembly sliding over the PVC waste pipe. It will be necessary to push the shower base until the top of the tile flange aligns with the marks drawn on the studs and the front edge is contacting the rough floor along the entire length of the shower base. Ensure that the base is level in all directions. You may need to use shims to hold the tray in the level until the bedding settles and supports the tray. Remove all extra mortar.

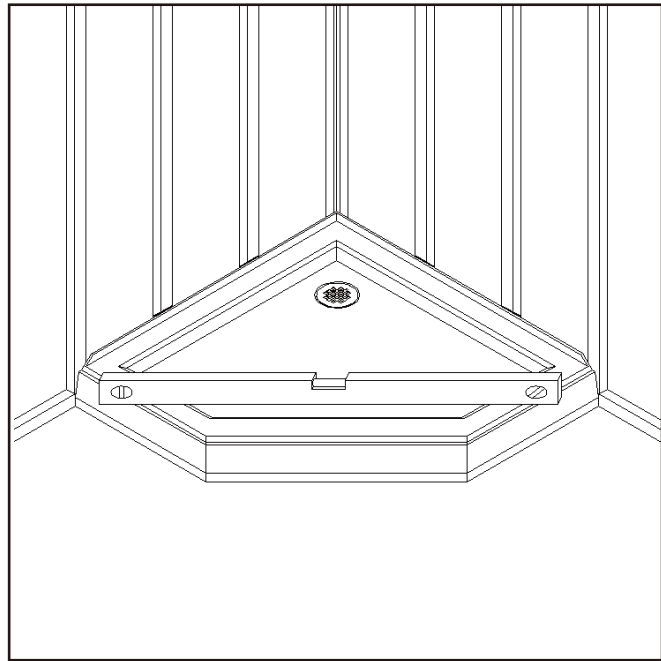


Fig. 7

7. Allow the bedding material to completely harden before applying weight to the bottom of the shower base. Install the cement board (or the wallboard) above the tile flanges and secure it to the studs. Put the tiles (or other finishing material) over the cement board leaving 1/8" gap between the bottom of the tile and the splash rim of the shower base. Use caulk to fill that gap.

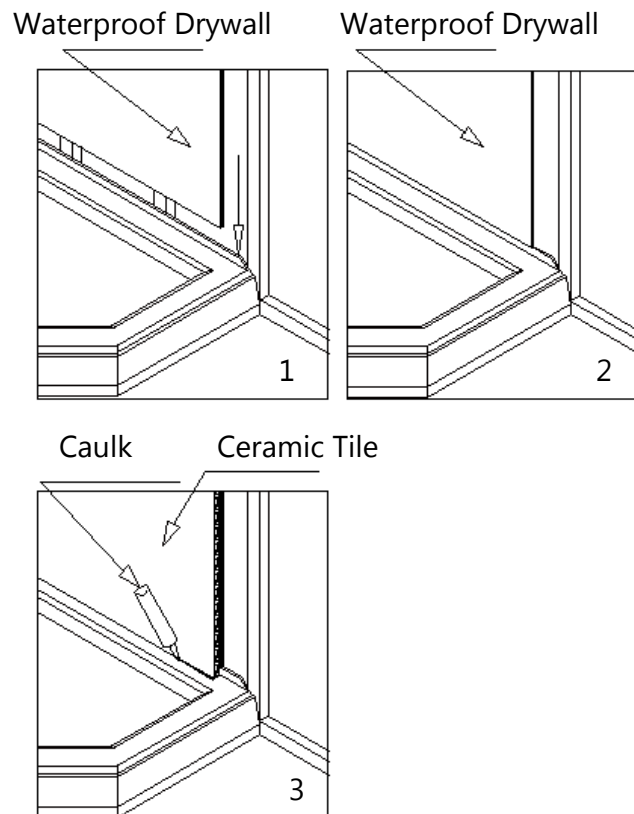


Fig. 8

See Fig. 8 and Fig. 9 for details.

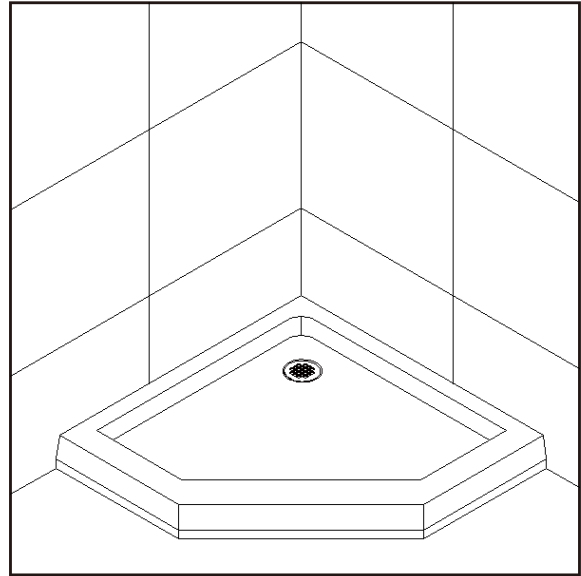


Fig. 9

### **Product maintenance**

To insure long lasting life for your acrylic back walls, wipe them off after each use with a soft cloth. To clean the acrylic back walls use non-abrasive sprays or cream based cleaners. Never use abrasive cleansers, metal brushes or scrapers that could scratch or dull the surface.

To insure long lasting life for your glass shower products, wipe them off after each use with a soft cloth. Rinse and wipe of the glass using either soft cloth or squeegee to prevent soap buildup. Never use abrasive cleaners and cleaning products that contain scoring agent because this may scratch the surface. Never use bristle brushes or abrasive sponges.

To assure a long lasting finish wipe off the metal parts after each use with a soft cloth. Do not use abrasive cleaners or cleaning products containing ammonia, bleach or acid. If accidentally used, rinse the surface as soon as possible to prevent finish peeling or corrosion. After cleaning the shiny finishes, rinse thoroughly and wipe dry with soft cloth. Clean stainless steel surfaces at least once a week. When applying stainless steel cleaner or polish, work with (not across) the grain. Never use abrasive sponge or cloth, steel wool or wired brushes.

## DREAMLINE™ EXCLUSIVE LIMITED WARRANTY AS OF MAY 6, 2013

This warranty extends only to the original owner/end-user for household use only and is not transferable to a subsequent owner. This warranty extends for a designated period of time, so long as it remains in use in its original place of installation. This warranty applies only to DreamLine products purchased from an authorized dealer in United States or Canada. Proof of purchase (original sales receipt) from the original consumer purchase must be provided with all warranty claims.

**IN NO EVENT SHALL THE LIABILITY OF DREAMLINE EXCEED THE PURCHASE PRICE OF THE UNIT.**

DreamLine products must be installed by a fully insured and licensed professional. Installation of DreamLine product by anyone other than fully insured licensed professionals shall **VOID THE WARRANTY**. DreamLine recommends that such licensed professionals have experience in the installation of bathroom products. Installation of certain products, including, without limitation, glass products (i.e., shower and tub doors) by an inexperienced installer may result in glass breakage and, consequently, cause personal injury or death.

### PARTS ONLY WARRANTY

This warranty is extensive in that it covers replacement of all defects. LABOR CHARGES AND/OR DAMAGE INCURRED IN INSTALLATION, REPAIR, OR REPLACEMENT, AS WELL AS ANY OTHER KIND OF LOSS OR DAMAGE ARE EXCLUDED

### COMMERCIAL USE AND OTHER EXCLUSIONS

This warranty excludes all industrial, commercial and business usage, whose purchasers are hereby extended a one (1) year limited warranty from the date of purchase for shower and tub doors, a three (3) month limited warranty from the date of purchase for vanities and sinks, with all other terms of this warranty applying except the duration of the warranty.

DREAMLINE JETTED AND STEAM SHOWER CABINS, DREAMLINE SHOWER COLUMNS AND DREAMLINE SHOWER SEATS ARE NOT INTENDED FOR COMMERCIAL USE AND THERE IS NO WARRANTY EXTENDED FOR THESE PRODUCTS FOR COMMERCIAL USE.

DreamLine hereby disclaims all warranties for products sold as dealer or store displays. DreamLine hereby disclaims all warranties for products used outside of the United States or Canada whether expressed or implied, including but not limited to the implied warranties of merchantability and fitness for a particular purpose.

### WARRANTY TERMS

DreamLine will, at its election, repair or replace the product found by DreamLine in its sole judgment, to be defective within the warranty period under normal residential use and maintenance. The replacement of a product is limited to supplying a replacement product or part (same as existing or if not available, comparable product). DreamLine warranty obligation shall be discharged upon tender of parts, replacement or repair of the product. Purchaser's refusal to accept the tender terminates all warranty obligations and **VOIDS THE WARRANTY**. Cost of freight for returning products to DreamLine for repairs or replacement under this limited warranty are the responsibility of the customer. Cost of freight associated with shipping of replacement product or parts to the customer may be charged to customer. Any product replaced or repaired during the warranty period will be covered only for the remaining period of the original warranty. In no event will DreamLine be liable for costs of repair or replacement of any installation material, including but not limited to tiles, marble, etc.

**DREAMLINE IS NOT RESPONSIBLE FOR INSTALLATION, REMOVAL OR REINSTALLATION COSTS OF ANY PRODUCT REQUIRING WARRANTY SERVICES.**

Any modification or alteration of any DreamLine products will void the warranty. DreamLine product installations and repairs must be performed by either a DreamLine authorized agent or a licensed, insured and experienced professional contractor - installation or repairs performed by any other party shall void the warranty. This warranty shall not apply to breakage or damages caused by normal wear and tear, fault, carelessness, abuse, misuse, misapplication, improper maintenance, alteration or modification of the unit, as well as chemical or natural corrosion, accident, fire, flood, act of God or any other casualty. Improper care and cleaning will void the warranty. Use of cleaners containing abrasive cleansers, ammonia, bleach, acids, waxes, alcohol, solvents or other products not recommended for chrome or similar finish, glass or acrylic will void the warranty. For additional product maintenance instructions please refer to product installation manual. DreamLine is not responsible for any issues arising in connection with errors or omissions in information provided on DreamLine's websites. The warranty does not extend to any non-DreamLine plumbing or components installed by installers, end users or by any party other than DreamLine.

**THE FOREGOING WARRANTIES ARE IN LIEU OF ALL OTHER WARRANTIES, EXPRESSED OR IMPLIED, INCLUDING BUT NOT LIMITED TO THE IMPLIED WARRANTIES OF MERCHANTABILITY AND FITNESS FOR A PARTICULAR PURPOSE. BATH AUTHORITY LLC ("DREAMLINE") AND/OR SELLER DISCLAIMS ALL LIABILITY FOR SPECIAL, INCIDENTAL OR CONSEQUENTIAL DAMAGES. DREAMLINE IS NOT LIABLE FOR PERSONAL INJURIES OR DEATH TO ANY PERSON OR FOR ANY DIRECT, SPECIAL, INCIDENTAL OR CONSEQUENTIAL DAMAGE, LOSS OF USE, LOSS OF TIME, LOSS OF PROFITS, INCONVENIENCE, INCIDENTAL EXPENSES, LABOR OR MATERIAL CHARGES, OR ANY OTHER COSTS RESULTING FROM THE USE OF ITS PRODUCTS OR PERTAINING TO THE APPLICATION OF THE PRESENT WARRANTY, OR RESULTING FROM THE REMOVAL OR REPLACEMENT OF ANY PRODUCT OR ELEMENT OR PART COVERED BY THIS WARRANTY.**

### PRODUCT WARRANTY PERIODS

DreamLine is not responsible for product code compliance or for verifying building code restrictions on installation or use and any such compliance is excluded from this warranty. DreamLine reserves the right to modify this warranty at any time - such warranty modifications will not alter the warranty applicable at the time of sale of the products in question. The warranty terms for specific products for consumer (non-industrial, non-commercial, non-business use only) are:

#### SHOWER BACKWALL, SHOWER CABINS (JETTED & STEAM)

DreamLine warrants shower backwalls and shower cabins to be free from defects in workmanship for a period of one (1) year from initial date of purchase by the owner/end-user, contractor or builder from an authorized dealer.

#### SHOWER & TUB DOORS, SHOWER ENCLOSURES

DreamLine warrants shower doors, tub doors and shower enclosures to be free from defects in workmanship and materials under normal residential use for a period of five (5) years from the initial date of purchase by the owner/end-user, contractor or builder from an authorized dealer. Warranty for plastic strips shall be limited to one (1) year. Warranty for any part in Oil Rubbed Bronze finish shall be limited to one (1) year.

#### SHOWER BASES

DreamLine warrants shower bases to be free from defects in workmanship and materials under normal residential use for as long as the original consumer purchaser owns their home in which their product is installed.

#### SHOWER COLUMNS

DreamLine warrants shower columns to be free from defects in workmanship and materials under normal residential use for a period of one (1) year from the initial date of purchase by the owner/end-user, contractor or builder from an authorized dealer.

#### SHOWER SEATS

DreamLine warrants shower seats to be free from defects in workmanship and materials under normal residential use for a period of one (1) year from the initial date of purchase by the owner/end-user, contractor or builder from an authorized dealer. Warranty shall be VOID if the shower seat is not professionally installed on a properly reinforced wall.

#### VANITIES AND VESSEL SINKS

DreamLine warrants bathroom vanities and vessel sinks to be free from defects in workmanship and materials under normal residential use for a period of one (1) year from the initial date of purchase by the owner/end-user, contractor or builder from an authorized dealer.

#### STATE LAWS AND THIS WARRANTY

Some states/provinces do not allow limitations on how long an implied warranty lasts, or the exclusion or limitation of special, incidental or consequential damages, so these limitations and exclusions may not apply to you. This warranty gives you specific legal rights. You may also have other rights, which vary from state/province to state/province.

### WARRANTY SERVICE

The following information will be required for you to file a Warranty claim:

1. Your name, address and telephone number
2. Product model number
3. Brief description of problem (please note that additional information such as photos may be required to fully process your warranty claim)
4. Proof of purchase

You may submit this information by e-mail, mail or fax to:

DreamLine  
Warranty Service Center  
75 Hawk Road  
Warminster, PA 18974  
F:1-866-857-3638  
T:1-866-731-2244  
Warranty@bathauthority.com



---

TEL: [866-731-2244](tel:866-731-2244)

FAX: [866-227-1533](tel:866-227-1533)

[WWW.BATHAUTHORITY.COM](http://www.BATHAUTHORITY.COM)

For more information on [DreamLine™ Shower Doors](http://www.BathAuthority.com) please visit [www.BathAuthority.com](http://www.BathAuthority.com)