

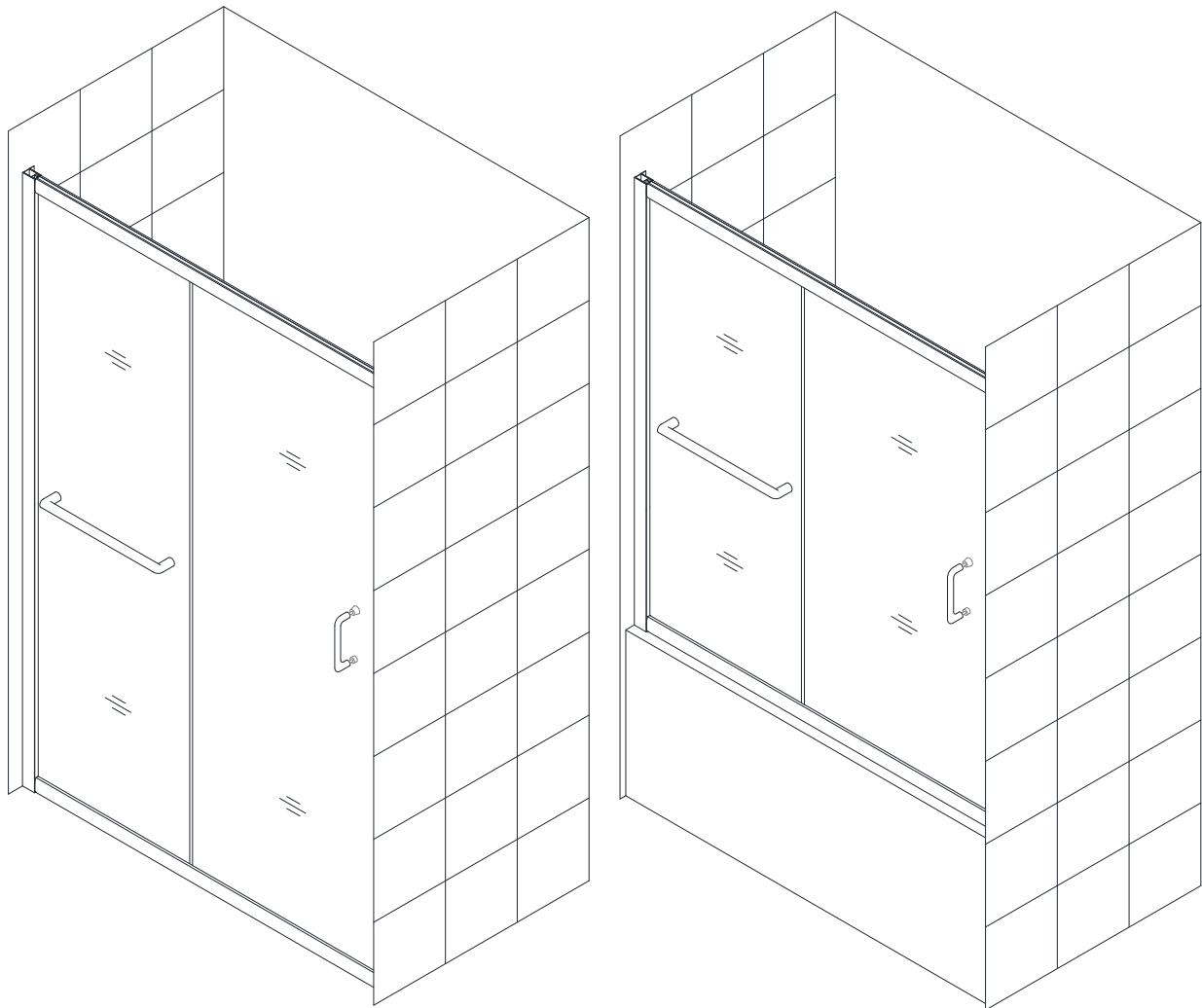


INFINITY-Z

SHOWER DOOR & TUB DOOR INSTALLATION INSTRUCTIONS

IMPORTANT

DreamLine™ reserves the right to alter, modify or redesign products at any time without prior notice. For the latest up-to-date technical drawings, manuals or any other details please refer to the support.BathAuthority.com web page.



Please read these instructions carefully before installing. If you have any questions regarding installation, please call our technical support specialists Monday through Friday 9:00 AM – 5:00 PM EST at Phone: [1-866-731-2244](tel:1-866-731-2244), Fax: [1-866-227-1533](tel:1-866-227-1533) or e-mail our technical support group at support@BathAuthority.com.

For more information on [DreamLine™ Shower Doors & Tub Doors](http://www.BathAuthority.com) please visit www.BathAuthority.com

Preparation

1. After opening all boxes and packages, read this introduction carefully. Check that all of the needed parts are included in the package by marking all the components on the "Detailed Diagram of Shower Door Components". Examine boxes and packages for shipping damage. If the unit has been damaged, has a finishing defect, or is missing parts, please contact our customer support department within 5 business days of the delivery date. Please note that **DreamLine™ will not replace any damaged products or missing parts free of charge after 5 business days or if the product has been installed.** Feel free to contact DreamLine™ if you have any questions.
2. **Please note that you should consult your local building codes with questions on installation compliance standards. Building and plumbing codes may vary by location, and DreamLine is not responsible for code compliance standards for your project and will not accept any returns.**
3. If this unit is going to be installed in a new construction, install all of the required plumbing and drainage before installing the shower. **Use a competent and licensed (if required by local code) plumber for all plumbing installation.**
4. Prior to installation, ensure that the installation surface is leveled and solid and will be able to support the total weight of the unit. Also, make sure the walls are at right angles. Irregular installation surface level or improper angle of side walls will result in serious problems for your installation. Please, note that some adjustments and drilling might be necessary during the installation process.
5. This unit must be installed against finished walls and floor.

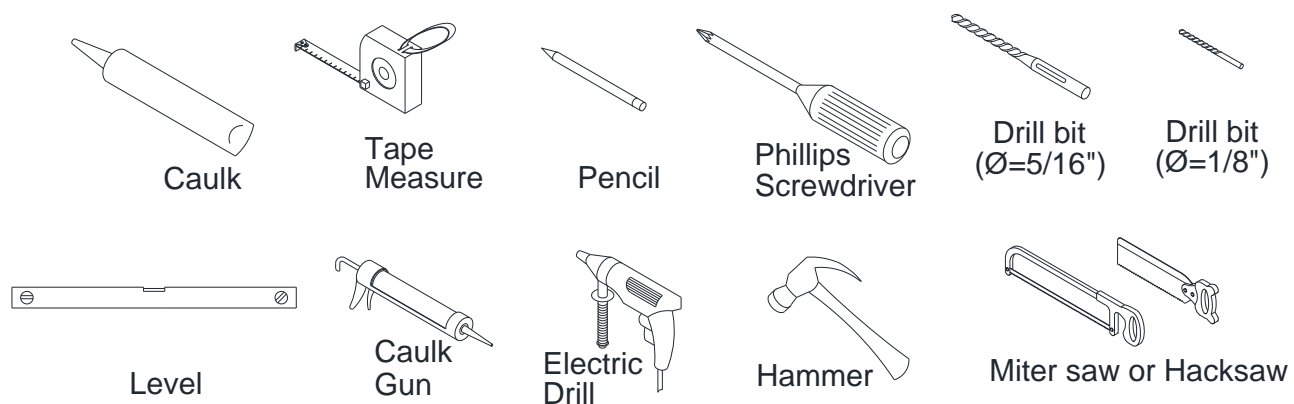
PLEASE, NOTE!

This door does have 1" out-of-plumb adjustment on each side. Make sure your walls are vertical and your shower base or threshold is leveled.

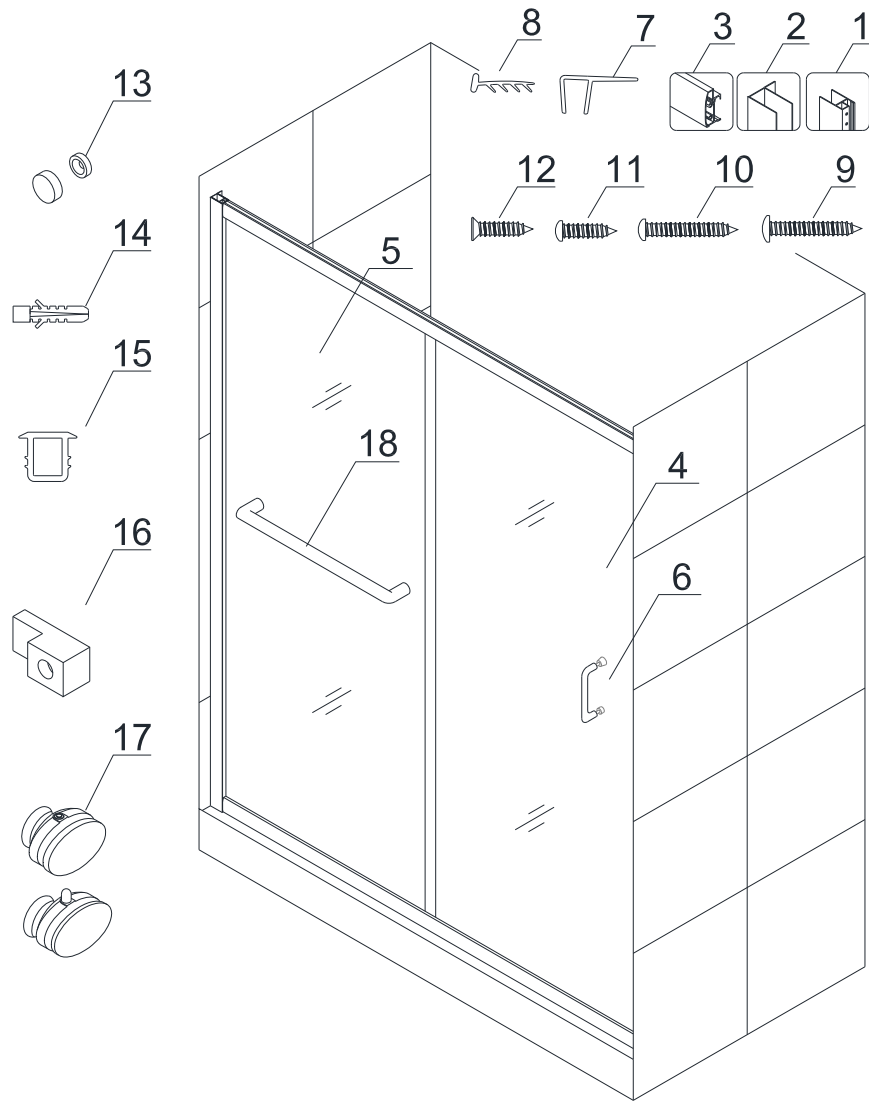
Note: If glass has silk, print or molded designs, please make sure that clear side faces inside the shower.

Note: Instructions are given for the shower door installation. Please, follow the same instructions to install the tub door.

Tools Required



Detailed Diagram of Shower Door Components



Packing List

01	Glass profile	2pcs	10	Round head screw ST4.2x25	8pcs
02	Wall profile	2pcs	11	Round head screw ST4.2x10	4pcs
03	Guide rail	2pcs	12	Flat head screw ST4.2x15	2pcs
04	Glass door	1pc	13	Decorative cover	4pcs
05	Stationary glass	1pc	14	Wall anchor	8pcs
06	Handle	1pc	15	Seal gasket	1pc
07	Anti-water strip	3pcs	16	Glass holder	2pcs
08	Single side strip	1pc	17	Wheel assembly	2pais
09	Round head screw ST4.2x30	8pcs	18	Towel bar	1pc

NOTE: Unpack your unit carefully and inspect it. Lay it out and identify all parts using parts diagram and part list in your manual as a reference. Before discarding the carton, check for small hardware bags that tend to fall to the bottom of the box. If any parts are damaged or missing, please contact DreamLine™ for replacement.

NOTE: Retain these installation instructions for future reference.

Shower Door Installation

1. Measure the distance between two walls. This distance is marked as "**W**".

See Fig. 1 for details.

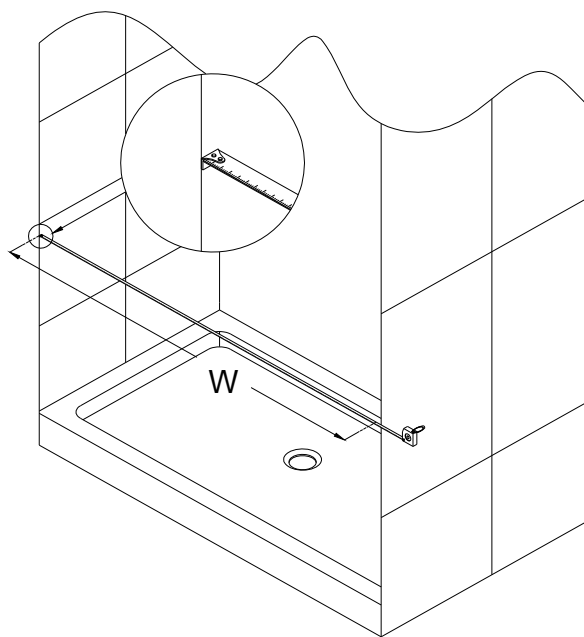


Fig. 1

2. Your **Guide rails (03)** has been precut for your Shower model opening width: **48"** or **60"** for shower width.

If **W**-width of your wall-to-wall opening is equal to the size of your Shower model, it is unnecessary to cut the **Guide rails** and you can continue to Step 3.

If **W**-width of your wall-to-wall opening is less than the size of your Shower model, you will need to cut the **Guide rails** from the end which is farthest from the **Glass holder (16)** hole.

The length to cut off will be **L**:

L=Subtract **W** from the size of your Shower model.

FOR EXAMPLE

If your wall opening **W=47"**. Your shower model is **48"**.

L=48" -47" =1",

You have to cut **1"** off from the rail.

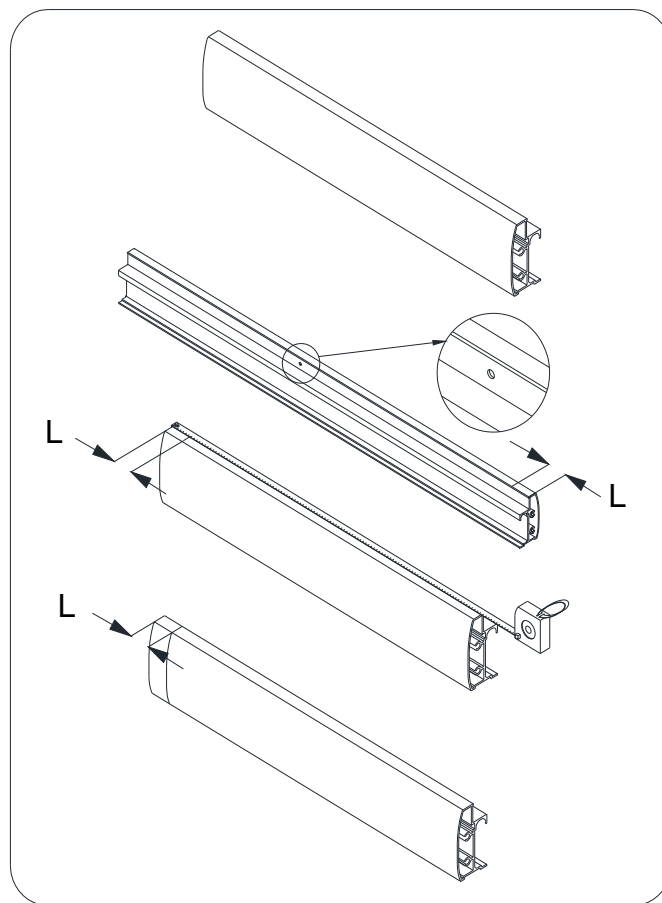


Fig. 2

See Fig. 2 & Fig. 3 for details.

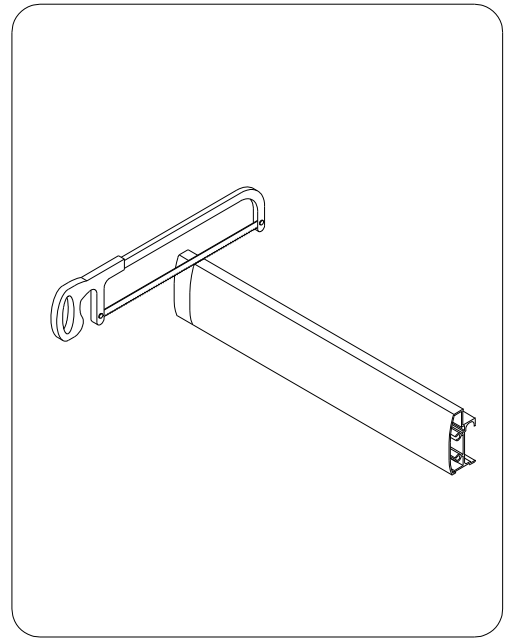


Fig. 3

3. If the **Guide rails (03)** have been cut, you will need to reinstall roller stopper on each **Guide rail** on the **side that has been cut**.

Remove existing stopper. Mark the drilling hole with a distance of **3 1/8"** from the cut off edge of the **Guide rail**.

Drill the new holes using **Ø1/8"** drill bit; then secure the stopper with screw.

ATTENTION:

Do not drill the Guide rail throughout, only the first layer.

See Fig. 4 for details

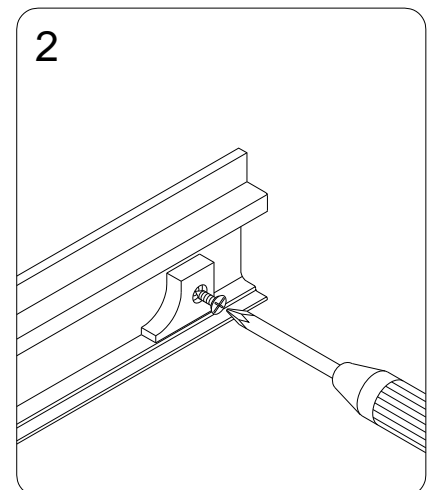
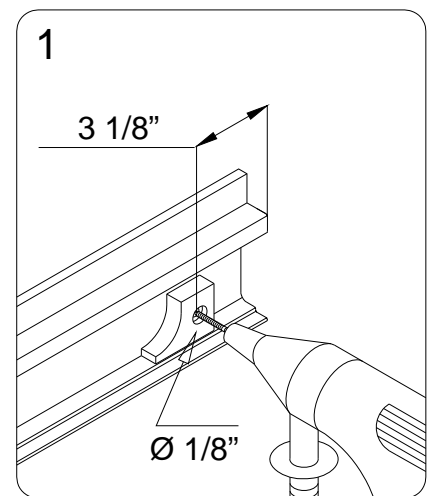


Fig. 4

- Secure the bottom **Guide rail (03)** to the **Glass profiles (01)** with the **Round head screws ST4.2x25 (10)**.

See Fig. 5 for details.

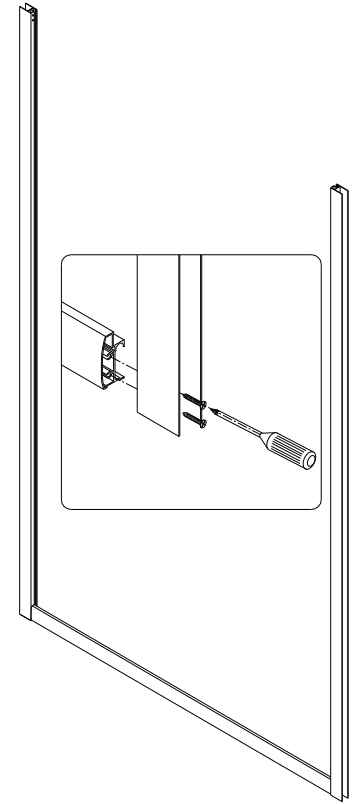


Fig. 5

- Slide the **Stationary glass (05)** fully into the groove of the **Glass profile (01)**, and then secure it to the bottom **Guide rail (03)** with the **Glass holder (16)**.

See Fig. 6 for details.

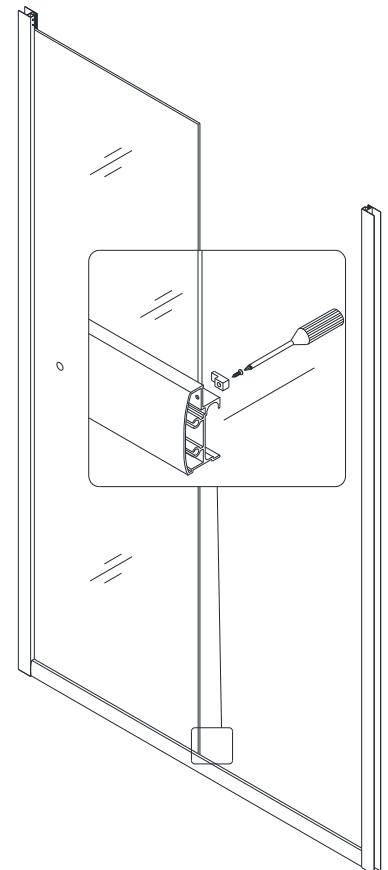


Fig. 6

6. Slightly tap the **Single side strip (08)** in between the glass and the glass profile using wooden shims or other piece of wood. The strip should be inserted from the side that will face inside the shower.

ATTENTION:

Do not use the screwdriver or other metal objects; you can scratch or damage the glass and aluminum.

7. Repeat Step #3, Step #4, Step #5 and Step #6 to fasten the upper **Guide rail (03)** to the **Glass profile** and secure the **Stationary glass** by the **Glass holder (16)**.

See Fig. 7 for details.

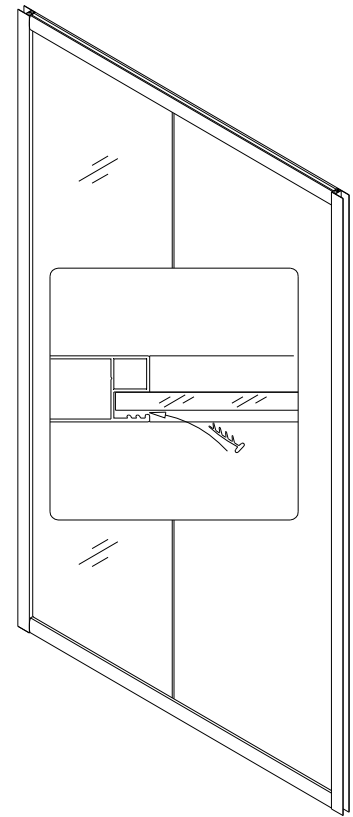


Fig. 7

8. Slide the **Wall profiles (02)** all the way on the **Glass profiles (01)** on both sides. Make sure the flange of the wall profile faces inside the shower.

See Fig. 8 for details.

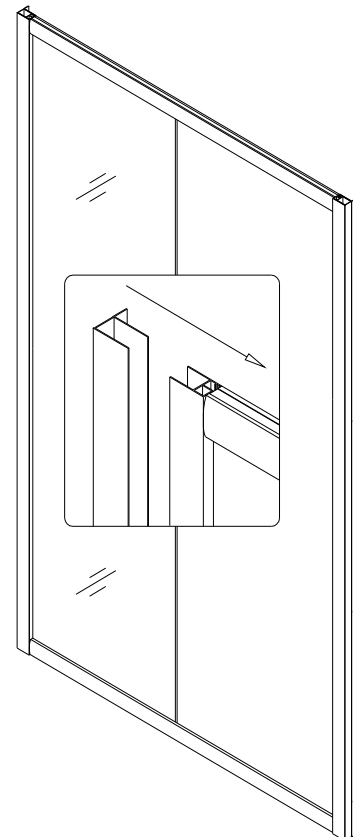


Fig. 8

9. Move the finished frame to the designated position on the shower base, the bathtub or the threshold (depending on your installation); push it against the walls. If your top and bottom wall opening measurements are different or if the walls are out-of-plumb, make adjustment by slightly pulling the **Wall profiles** out of the **Glass Profiles**.

Use the level to adjust the frame in the vertical position
See Fig. 9 for details.

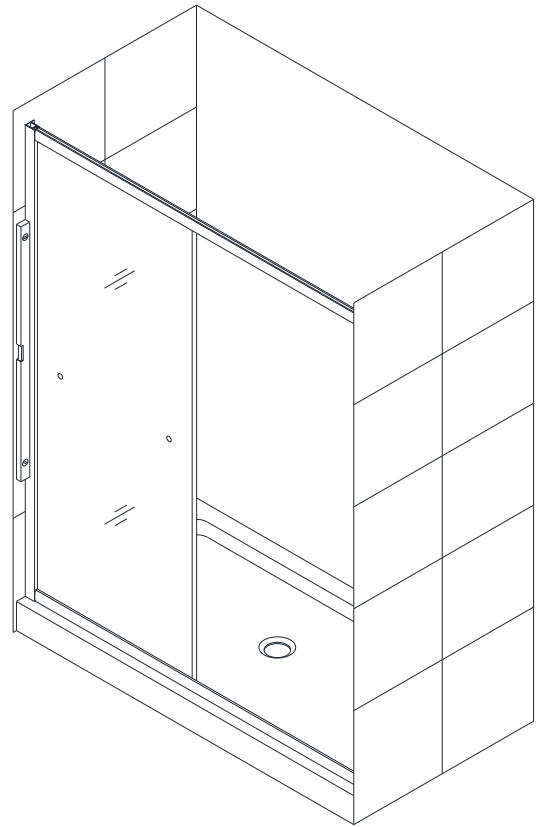


Fig. 9

10. Using help to hold this assembly in the right position, mark the drill holes on the wall through the holes on the flange of the **Wall Profile**.

Gently set the assembled unit aside; drill the holes using $\text{Ø } 5/16''$ drill bit and insert the **Wall anchors (14)**.

Apply silicone along the wall profile and around the holes on the wall. Also apply silicone caulk under the bottom **Guide rail (03)**. Place the whole shower assembly back in the designated position and secure it to the walls using the **Round head screws ST4.2×30 (9)**.

See Fig. 10 for details.

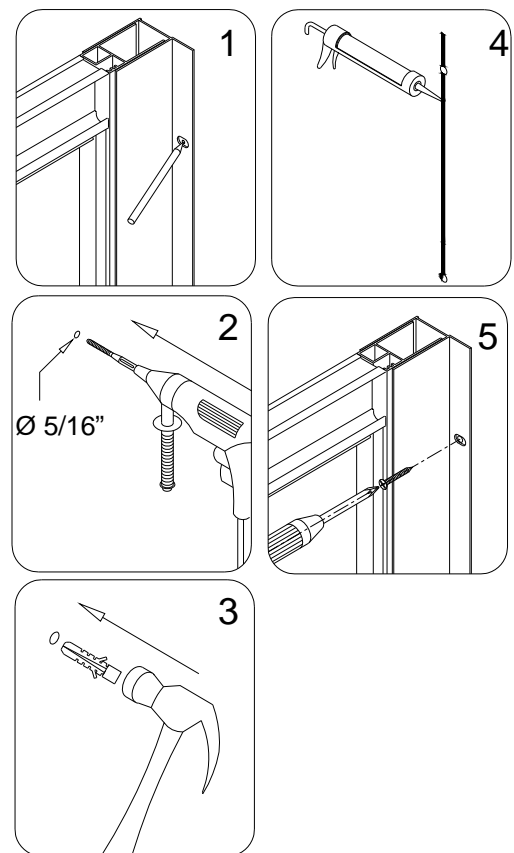


Fig. 10

11. Attach the **Towel bar (18)** to the **Stationary glass (05)**.

NOTE: Towel bar must be installed on the outside of the stationary glass.

See Fig. 11 for details.

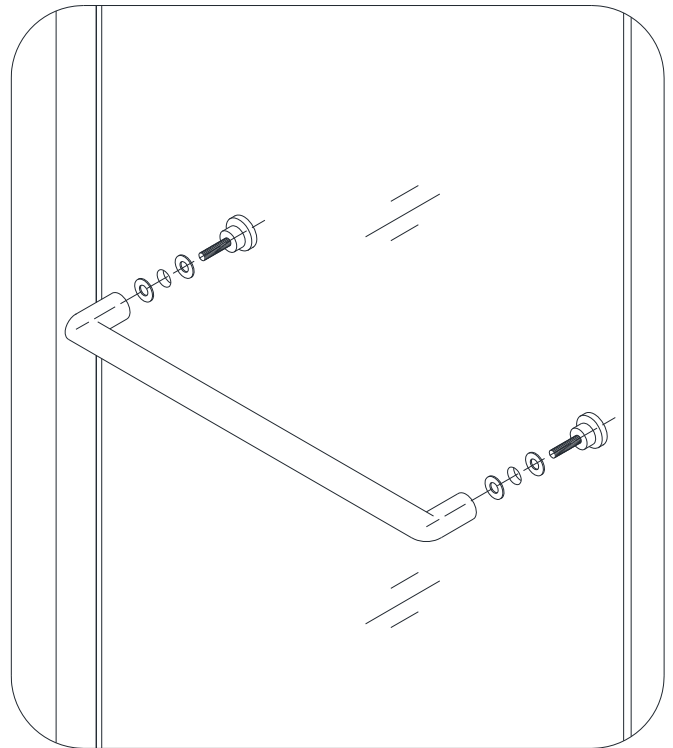


Fig. 11

NOTE: Glass Door (04) may come with the Wheel assemblies (17) preinstalled. If not, please refer to (Fig. 12) for detailed installation.

12. Fasten the top and the bottom **Wheel assemblies (17)** to the **Glass door (04)**. The top wheels can adjust the door level with the adjustable bolt and lock nut. The bottom wheel has a press button to fix the wheel on to the bottom **Guide rail (03)**.

Note:

The lock nut of the upper wheel and the press button of the bottom wheel should be pointing up.

See Fig. 12 for details.

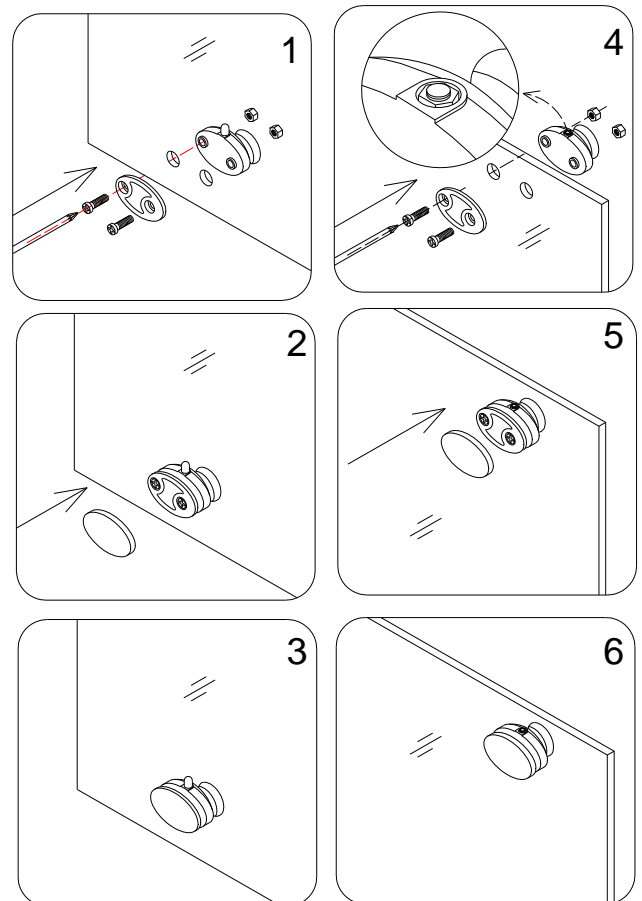


Fig. 12

13. Slide the top door wheels into the top **Guide rail (03)**. Push the bottom wheels in the bottom **Guide rail** by pressing down the button.

Use the Phillips screwdriver #2 (**do not use power screwdriver**) to adjust upper wheels, make sure they move smoothly and the door closes tight.

See Fig. 13 for details.

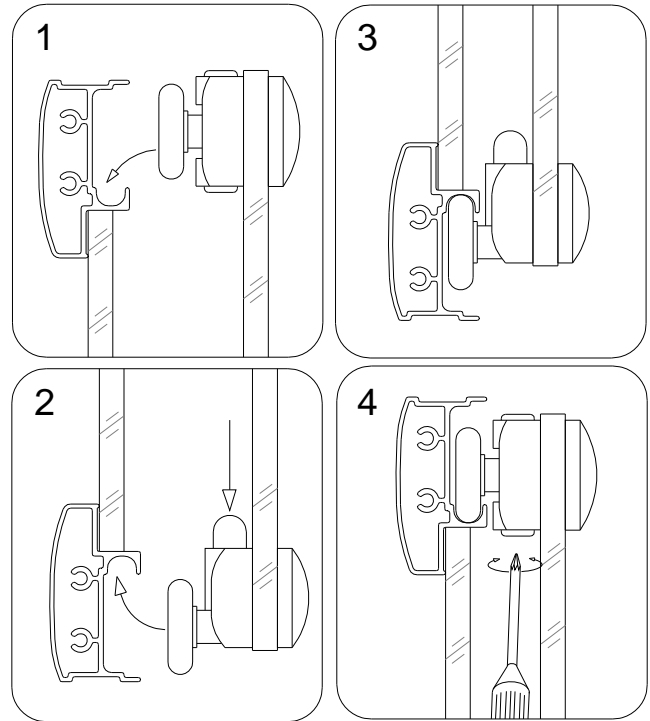


Fig. 13

14. Install the **Handle (06)** to the **Glass door (04)**.

Press the **anti-water strips (07)** on the vertical edge of the **Stationary glass (05)** and both vertical edges of the **Glass door**. Insert the **Seal gasket (15)** into the **Wall profile (02)**.

See Fig. 14 for details.

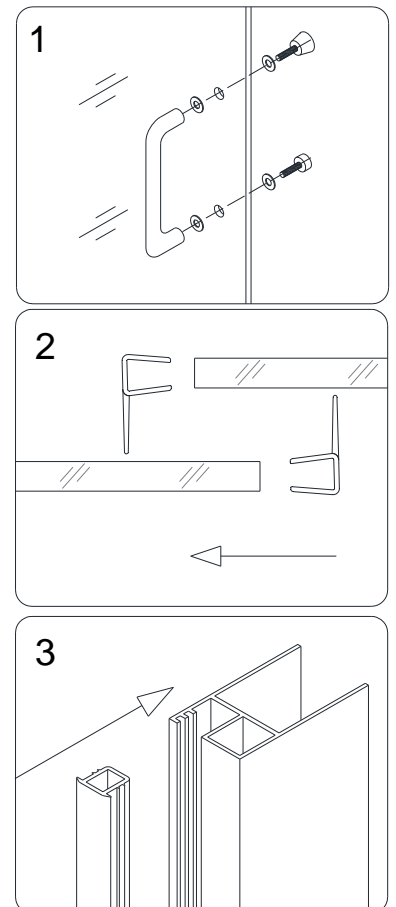


Fig. 14

15. Do the final adjustments of the assembled unit in the **Wall profiles**.

Drill the holes in the **Wall Profile** and **Glass profile** using $\varnothing 1/8''$ drill bit.

ATTENTION:

Do not drill the profiles throughout, only the first layer of the wall and glass profiles.

Secure the **Wall profile** to the **Glass profile** using the **Round head screws ST4.2×10 (11)**.

Cover the exposed screw heads with the **Decorative covers (13)**.

See Fig. 15 for details.

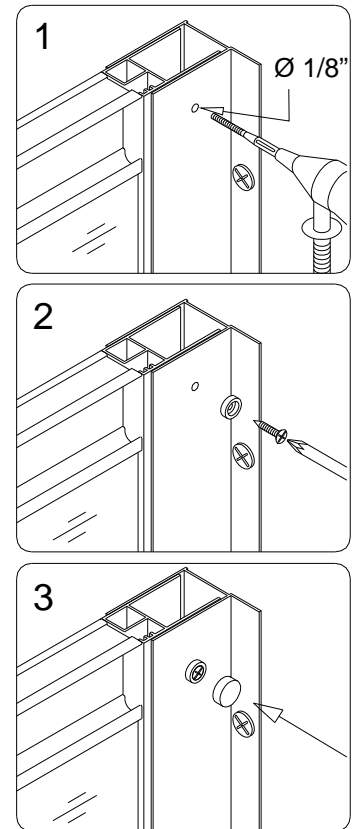


Fig. 15

16. Apply the sealant along the profiles and guide rails; on the seams between the bottom guide rail and the profiles as well as along the shower base or threshold.

See Fig. 16 for details.

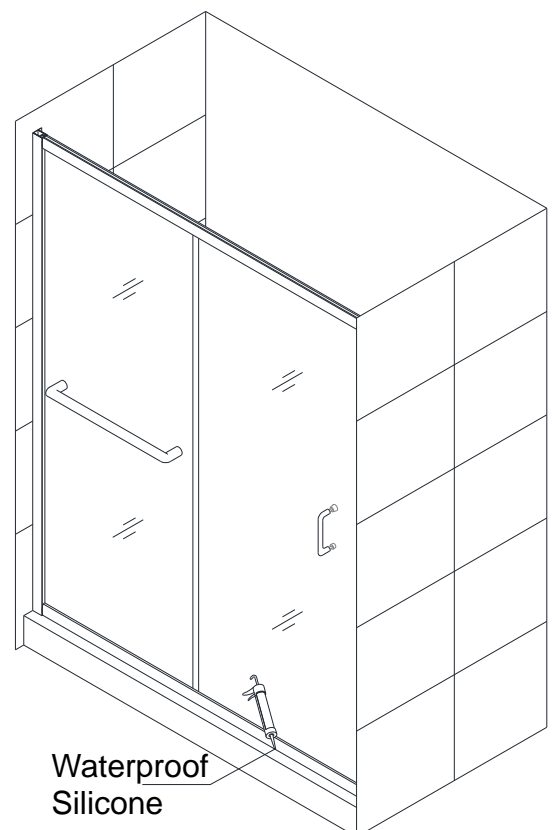


Fig. 16

Product Maintenance

To ensure long lasting life for your acrylic back walls, wipe them off after each use with a soft cloth. To clean the acrylic back walls use non-abrasive sprays or cream based cleaners. Never use abrasive cleansers, metal brushes or scrapers that could scratch or dull the surface.

To ensure long lasting life for your glass shower products, wipe them off after each use with a soft cloth. Rinse and wipe off the glass using either soft cloth or squeegee to prevent soap buildup. Never use abrasive cleaners and cleaning products that contain scouring agents as this may scratch the surface. Never use bristle brushes or abrasive sponges.

To ensure a long lasting hardware finish, wipe off the metal parts after each use with a soft cloth. Do not use abrasive cleaners or cleaning products containing ammonia, bleach or acid. If accidentally used, rinse the surface as soon as possible to prevent finish peeling or corrosion. After cleaning the shiny finishes, rinse thoroughly and wipe dry with soft cloth. Clean stainless steel surfaces at least once a week. When applying stainless steel cleaner or polish, work with (not against/across) the grain. Never use an abrasive sponge or cloth, steel wool or wired brushes.

DREAMLINE™ EXCLUSIVE LIMITED WARRANTY AS OF MAY 6, 2013

This warranty extends only to the original owner/end-user for household use only and is not transferable to a subsequent owner. This warranty extends for a designated period of time, so long as it remains in use in its original place of installation. This warranty applies only to DreamLine products purchased from an authorized dealer in United States or Canada. Proof of purchase (original sales receipt) from the original consumer purchase must be provided with all warranty claims.

IN NO EVENT SHALL THE LIABILITY OF DREAMLINE EXCEED THE PURCHASE PRICE OF THE UNIT.

DreamLine products must be installed by a fully insured and licensed professional. Installation of DreamLine product by anyone other than fully insured licensed professionals shall **VOID THE WARRANTY**. DreamLine recommends that such licensed professionals have experience in the installation of bathroom products. Installation of certain products, including, without limitation, glass products (i.e., shower and tub doors) by an inexperienced installer may result in glass breakage and, consequently, cause personal injury or death.

PARTS ONLY WARRANTY

This warranty is extensive in that it covers replacement of all defects. LABOR CHARGES AND/OR DAMAGE INCURRED IN INSTALLATION, REPAIR, OR REPLACEMENT, AS WELL AS ANY OTHER KIND OF LOSS OR DAMAGE ARE EXCLUDED

COMMERCIAL USE AND OTHER EXCLUSIONS

This warranty excludes all industrial, commercial and business usage, whose purchasers are hereby extended a one (1) year limited warranty from the date of purchase for shower and tub doors, a three (3) month limited warranty from the date of purchase for vanities and sinks, with all other terms of this warranty applying except the duration of the warranty.

DREAMLINE JETTED AND STEAM SHOWER CABINS, DREAMLINE SHOWER COLUMNS AND DREAMLINE SHOWER SEATS ARE NOT INTENDED FOR COMMERCIAL USE AND THERE IS NO WARRANTY EXTENDED FOR THESE PRODUCTS FOR COMMERCIAL USE.

DreamLine hereby disclaims all warranties for products sold as dealer or store displays. DreamLine hereby disclaims all warranties for products used outside of the United States or Canada whether expressed or implied, including but not limited to the implied warranties of merchantability and fitness for a particular purpose.

WARRANTY TERMS

DreamLine will, at its election, repair or replace the product found by DreamLine in its sole judgment, to be defective within the warranty period under normal residential use and maintenance. The replacement of a product is limited to supplying a replacement product or part (same as existing or if not available, comparable product). DreamLine warranty obligation shall be discharged upon tender of parts, replacement or repair of the product. Purchaser's refusal to accept the tender terminates all warranty obligations and **VOIDS THE WARRANTY**. Cost of freight for returning products to DreamLine for repairs or replacement under this limited warranty are the responsibility of the customer. Cost of freight associated with shipping of replacement product or parts to the customer may be charged to customer. Any product replaced or repaired during the warranty period will be covered only for the remaining period of the original warranty. In no event will DreamLine be liable for costs of repair or replacement of any installation material, including but not limited to tiles, marble, etc.

DREAMLINE IS NOT RESPONSIBLE FOR INSTALLATION, REMOVAL OR REINSTALLATION COSTS OF ANY PRODUCT REQUIRING WARRANTY SERVICES.

Any modification or alteration of any DreamLine products will void the warranty. DreamLine product installations and repairs must be performed by either a DreamLine authorized agent or a licensed, insured and experienced professional contractor - installation or repairs performed by any other party shall void the warranty. This warranty shall not apply to breakage or damages caused by normal wear and tear, fault, carelessness, abuse, misuse, misapplication, improper maintenance, alteration or modification of the unit, as well as chemical or natural corrosion, accident, fire, flood, act of God or any other casualty. Improper care and cleaning will void the warranty. Use of cleaners containing abrasive cleansers, ammonia, bleach, acids, waxes, alcohol, solvents or other products not recommended for chrome or similar finish, glass or acrylic will void the warranty. For additional product maintenance instructions please refer to product installation manual. DreamLine is not responsible for any issues arising in connection with errors or omissions in information provided on DreamLine's websites. The warranty does not extend to any non-DreamLine plumbing or components installed by installers, end users or by any party other than DreamLine.

THE FOREGOING WARRANTIES ARE IN LIEU OF ALL OTHER WARRANTIES, EXPRESSED OR IMPLIED, INCLUDING BUT NOT LIMITED TO THE IMPLIED WARRANTIES OF MERCHANTABILITY AND FITNESS FOR A PARTICULAR PURPOSE. BATH AUTHORITY LLC ("DREAMLINE") AND/OR SELLER DISCLAIMS ALL LIABILITY FOR SPECIAL, INCIDENTAL OR CONSEQUENTIAL DAMAGES. DREAMLINE IS NOT LIABLE FOR PERSONAL INJURIES OR DEATH TO ANY PERSON OR FOR ANY DIRECT, SPECIAL, INCIDENTAL OR CONSEQUENTIAL DAMAGE, LOSS OF USE, LOSS OF TIME, LOSS OF PROFITS, INCONVENIENCE, INCIDENTAL EXPENSES, LABOR OR MATERIAL CHARGES, OR ANY OTHER COSTS RESULTING FROM THE USE OF ITS PRODUCTS OR PERTAINING TO THE APPLICATION OF THE PRESENT WARRANTY, OR RESULTING FROM THE REMOVAL OR REPLACEMENT OF ANY PRODUCT OR ELEMENT OR PART COVERED BY THIS WARRANTY.

PRODUCT WARRANTY PERIODS

DreamLine is not responsible for product code compliance or for verifying building code restrictions on installation or use and any such compliance is excluded from this warranty. DreamLine reserves the right to modify this warranty at any time - such warranty modifications will not alter the warranty applicable at the time of sale of the products in question. The warranty terms for specific products for consumer (non-industrial, non-commercial, non-business use only) are:

SHOWER BACKWALL, SHOWER CABINS (JETTED & STEAM)

DreamLine warrants shower backwalls and shower cabins to be free from defects in workmanship for a period of one (1) year from initial date of purchase by the owner/end-user, contractor or builder from an authorized dealer.

SHOWER & TUB DOORS, SHOWER ENCLOSURES

DreamLine warrants shower doors, tub doors and shower enclosures to be free from defects in workmanship and materials under normal residential use for a period of five (5) years from the initial date of purchase by the owner/end-user, contractor or builder from an authorized dealer. Warranty for plastic strips shall be limited to one (1) year. Warranty for any part in Oil Rubbed Bronze finish shall be limited to one (1) year.

SHOWER BASES

DreamLine warrants shower bases to be free from defects in workmanship and materials under normal residential use for as long as the original consumer purchaser owns their home in which their product is installed.

SHOWER COLUMNS

DreamLine warrants shower columns to be free from defects in workmanship and materials under normal residential use for a period of one (1) year from the initial date of purchase by the owner/end-user, contractor or builder from an authorized dealer.

SHOWER SEATS

DreamLine warrants shower seats to be free from defects in workmanship and materials under normal residential use for a period of one (1) year from the initial date of purchase by the owner/end-user, contractor or builder from an authorized dealer. Warranty shall be VOID if the shower seat is not professionally installed on a properly reinforced wall.

VANITIES AND VESSEL SINKS

DreamLine warrants bathroom vanities and vessel sinks to be free from defects in workmanship and materials under normal residential use for a period of one (1) year from the initial date of purchase by the owner/end-user, contractor or builder from an authorized dealer.

STATE LAWS AND THIS WARRANTY

Some states/provinces do not allow limitations on how long an implied warranty lasts, or the exclusion or limitation of special, incidental or consequential damages, so these limitations and exclusions may not apply to you. This warranty gives you specific legal rights. You may also have other rights, which vary from state/province to state/province.

WARRANTY SERVICE

The following information will be required for you to file a Warranty claim:

1. Your name, address and telephone number
2. Product model number
3. Brief description of problem (please note that additional information such as photos may be required to fully process your warranty claim)
4. Proof of purchase

You may submit this information by e-mail, mail or fax to:

DreamLine
Warranty Service Center
75 Hawk Road
Warminster, PA 18974
F:1-866-857-3638
T:1-866-731-2244
Warranty@bathauthority.com



TEL: [866-731-2244](tel:866-731-2244)

FAX: [866-227-1533](tel:866-227-1533)

WWW.BATHAUTHORITY.COM

For more information on [DreamLineTM Shower Doors](http://www.BathAuthority.com) & [Tub Doors](http://www.BathAuthority.com) please visit www.BathAuthority.com