

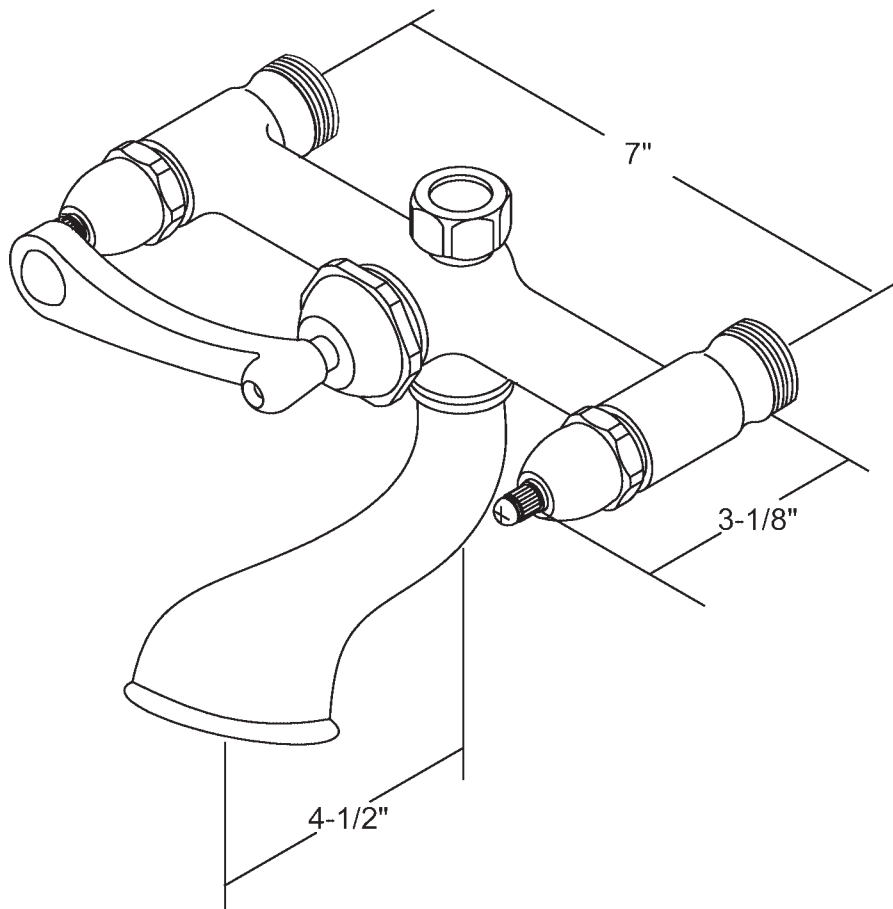


Specification for **RM01 - RM05**

For Tub-Rim Mount Only
1/4" Turn Washerless Cartridges

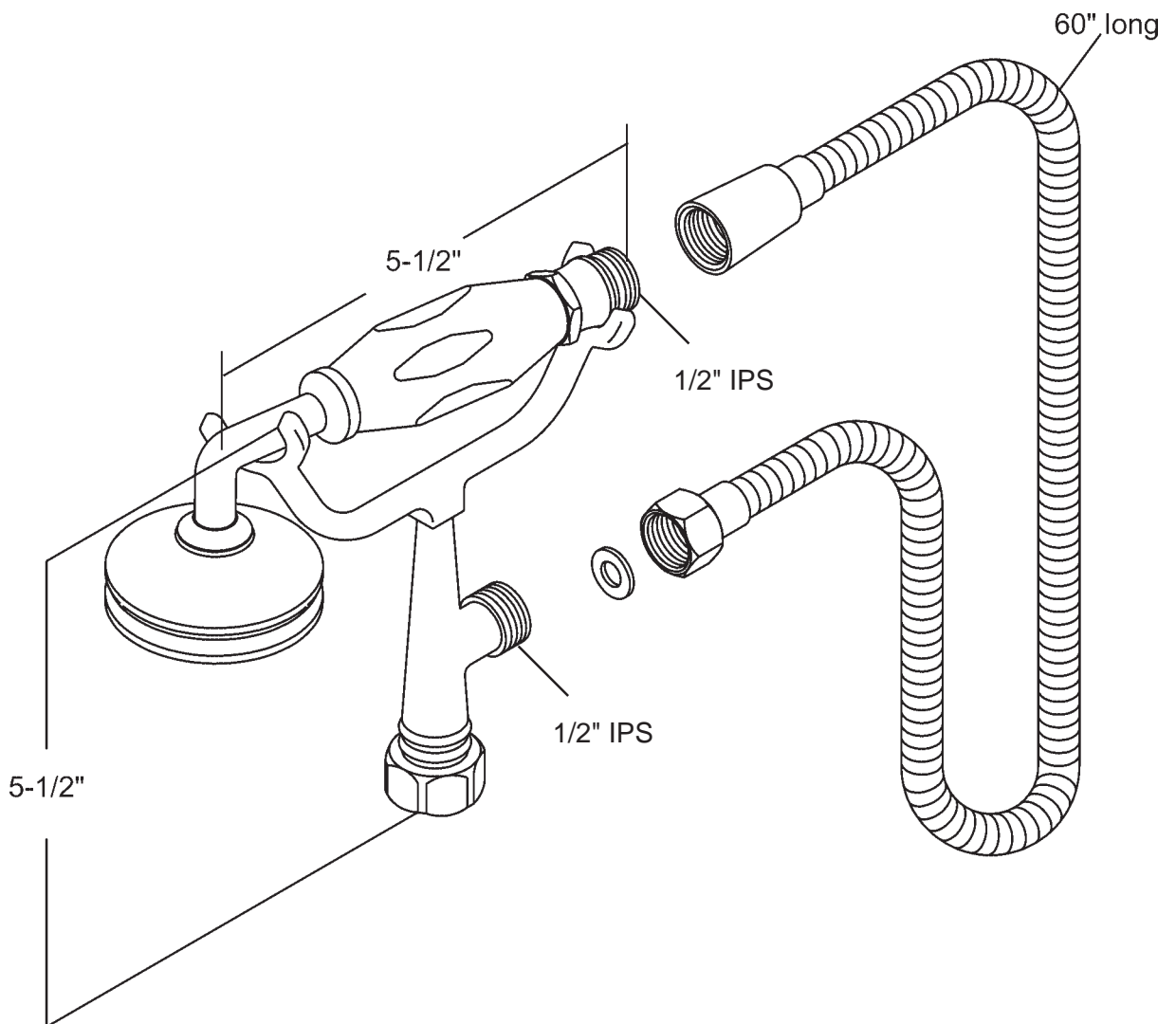
Flow Rate : 6 GPM @ 60 PSI
 Handshower 2.5 GPM

Inlets: 1/2" IPS





Specification for RM01 - RM05 (Cont.)





Specification for RM01 - RM05 (Cont.)

