



ETV Vessel

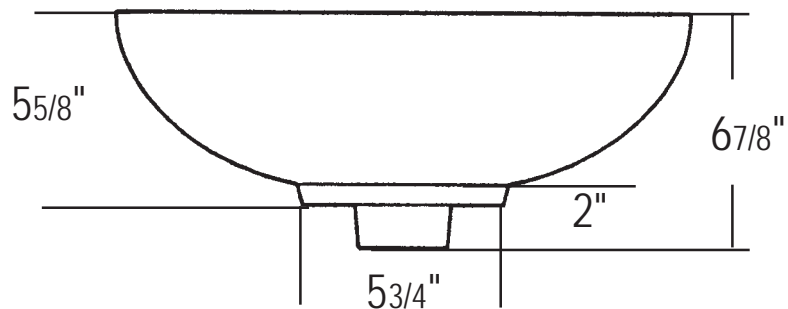
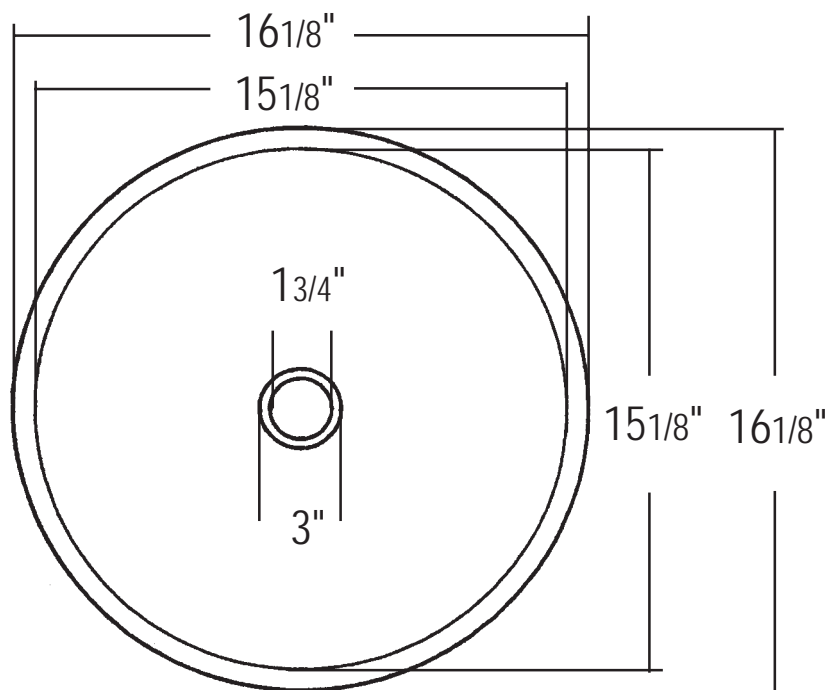
Vitreous China

Overall: 16 $\frac{1}{8}$ " Diameter

Bowl: 15 $\frac{1}{8}$ " Diameter

Overall Depth: 6 $\frac{7}{8}$ "

Drain hole diameter 1 $\frac{23}{32}$ ", +/- 3/32"
(1 $\frac{5}{8}$ " to 1 $\frac{13}{16}$ ")



Revised 07/06/04