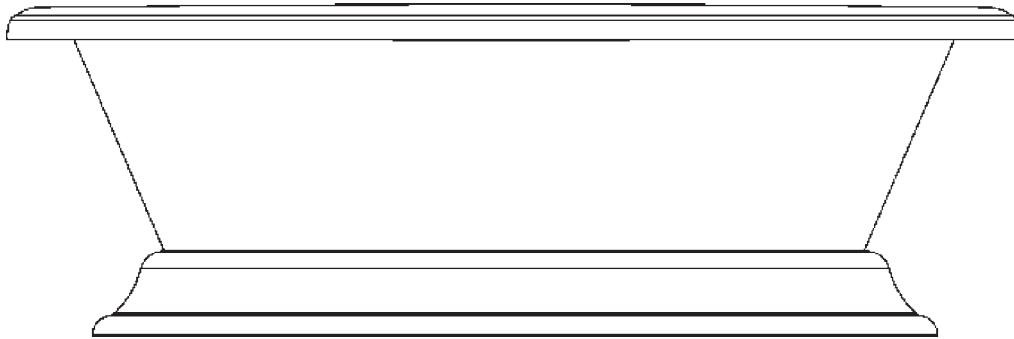




USASPL Serenity on Plinth Air Bath



Standard Equipment

Air Bath System
60 Air jets
1 HP remote air blower with:
Variable Speed
20 minute timer
600 watt air heating system
Electronic control package with:
Wave setting
Pulse Setting
Automatic purge cycle
Automatic dry cycle
Antimicrobial coating lined air channel
Deep bathing well
UL Listed, Factory Tested

Specifications

Water Capacity	76 Ga.
Empty Tub weight	234 lbs.
Filled Tub Weight	745 lbs.
Shipping weight	340 lbs.
Blower	1HP, 10.5amp, 120V
Requires dedicated 120v, 15amp GFCI circuit	

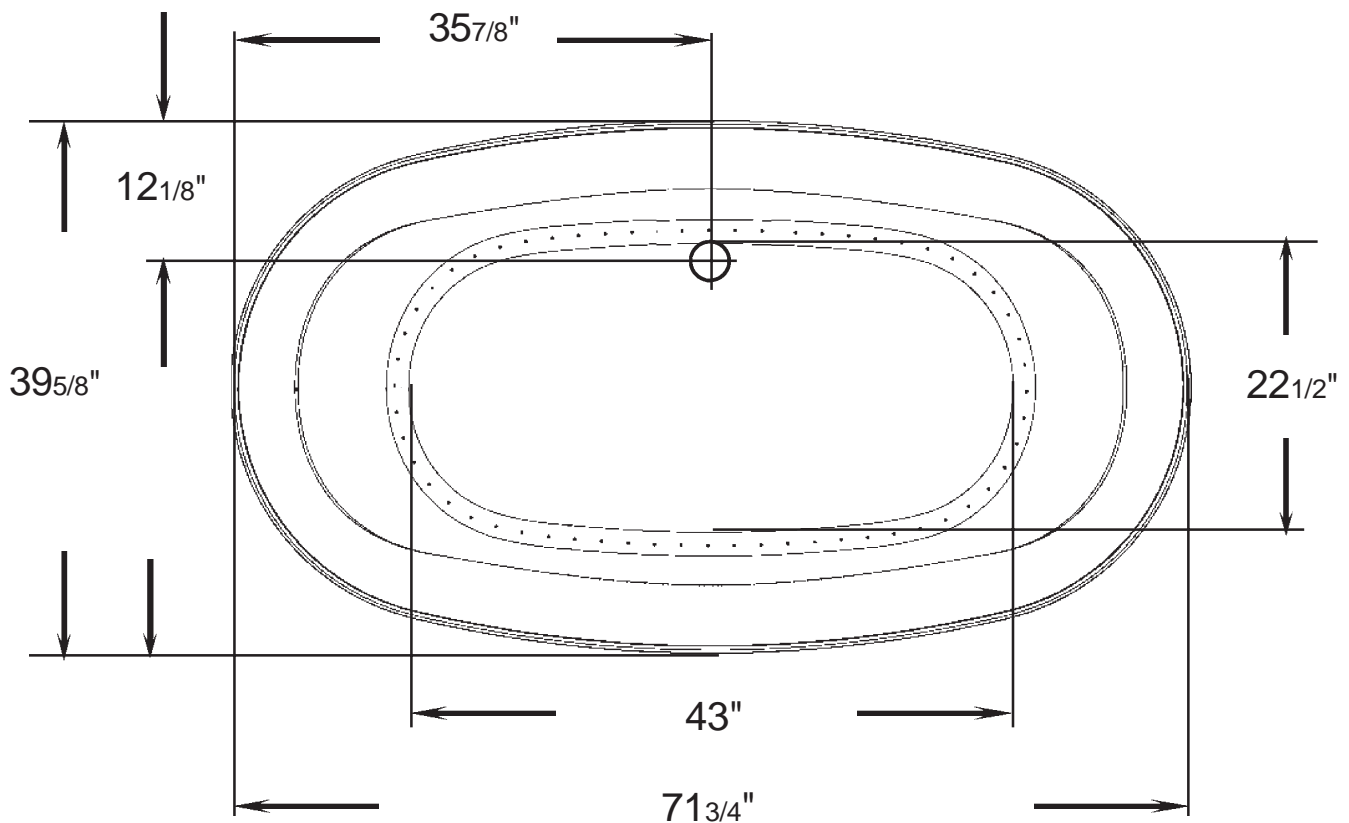
Required accessories

Legtub Drain
Legtub Faucet



USASPL Serenity on Plinth Air Bath

Top View

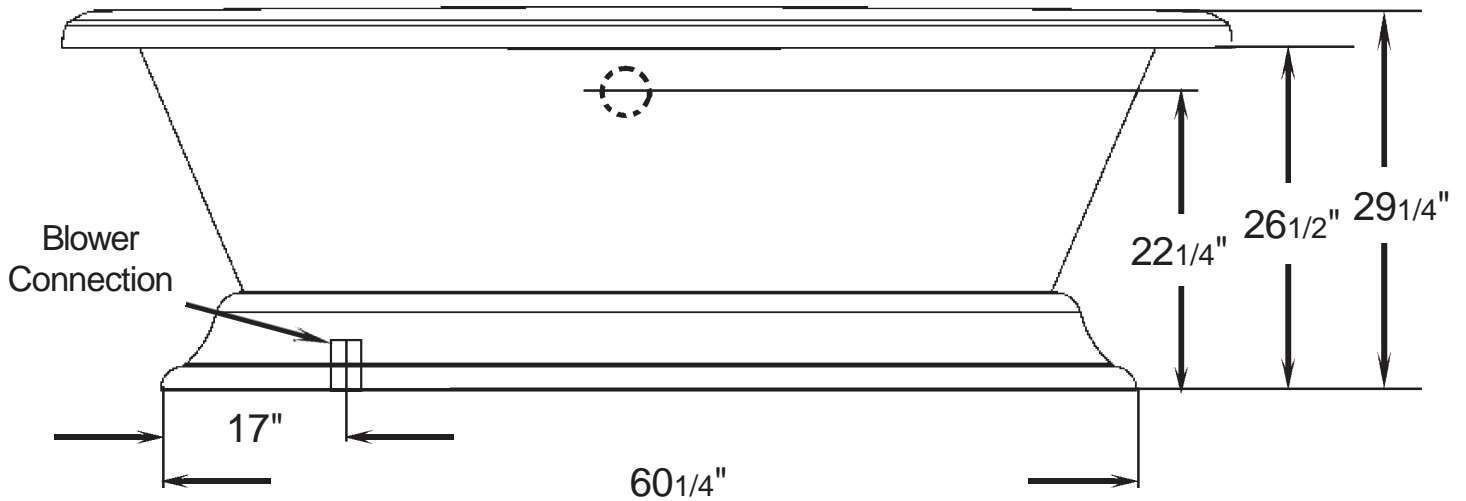


Measurements shown can vary +/- 1/4" and are for reference only.
If exact dimensions are required, please use the actual tub to be installed to obtain your measurements.

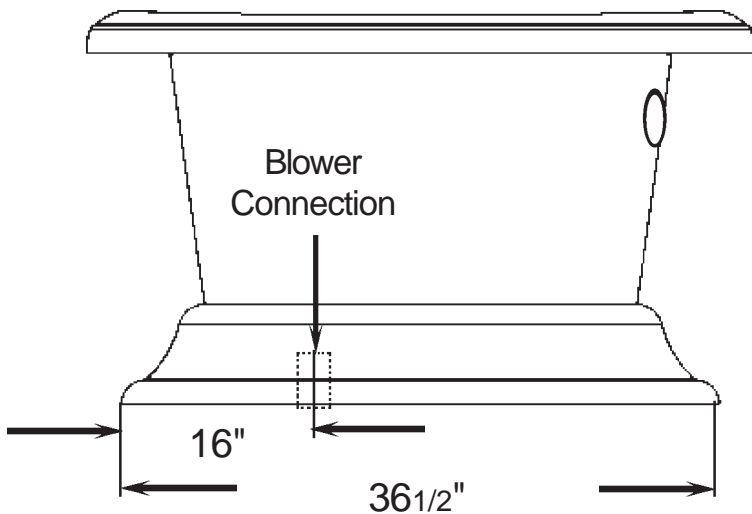


USASPL Serenity on Plinth Air Bath

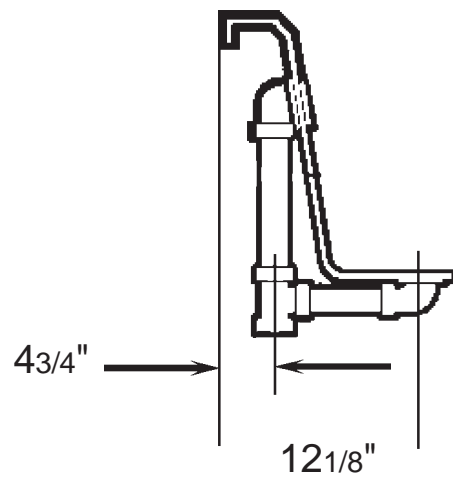
Side View



End View



Drain rough-in



Measurements shown can vary +/- 1/4" and are for reference only.
If exact dimensions are required, please use the actual tub to be installed to obtain your measurements.