

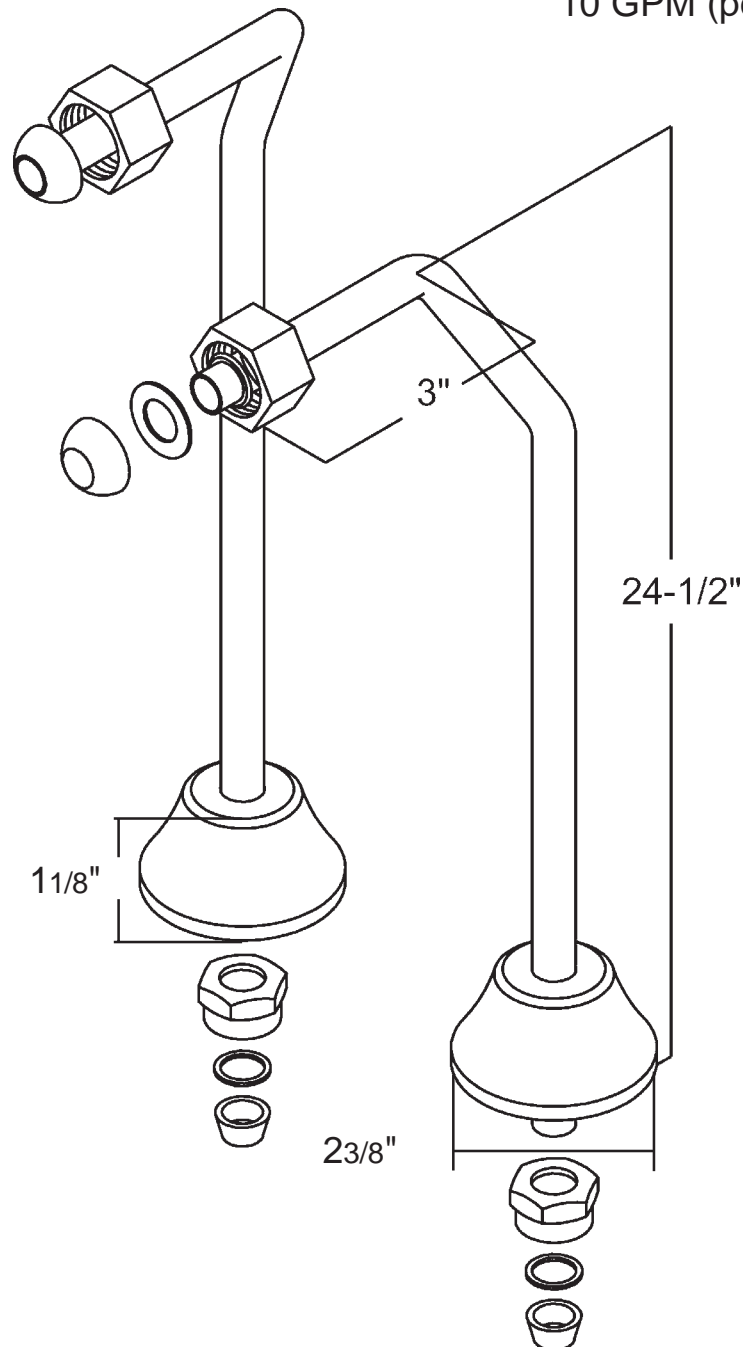


DOSL

Double Offset Supplies

For use when hot and cold waters supplies are roughed in at 8" centers and the tubwall mounted faucet is on 3 3/8" centers

Tubing 1/2" OD
Flow Rate @ 60PSI
10 GPM (per supply Line)



Revised 11/16/04