

DAYTON[®]

SPECIFICATIONS

Dayton[®] Undermount Double Bowl Sink Model DXUH3119 Series

GENERAL

Sink is formed of #18 gauge, 300 series nickel bearing stainless steel. Undermount.

DESIGN FEATURES

Bowl Depth: 8" (203 mm).

Finish: Exposed surfaces are polished to a Radiant Satin finish.

Underside: Sound dampening pads with spray undercoating to dampen sound and reduce condensation.

OTHER

Drain Openings: 3-1/2" (89mm).

NOTE: All Dayton undermount sinks are designed to affix easily to the underside of any solid surface countertop.

OPTIONAL ACCESSORIES

Bottom Grids: GOBG1115SS (small bowl), GOBG1617SS (large bowl)

Cutting Board: CB1713 (large bowl) (sink must be installed with a 1/2" reveal for cutting board to fit properly)

Drain: D1125

Rinsing Basket: LKWRB1115SS (small bowl), LKWRB1617SS (large bowl)

Utensil Caddy: LKWUCSS

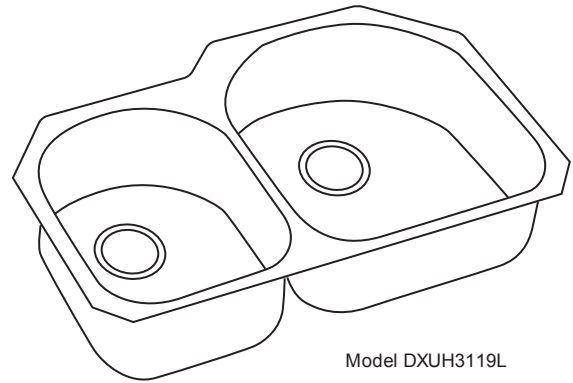
Mounting Clip: LKUCLIP8 (2 packages required)

Template: 64180278

Sink complies with ASME A112.19.3/ CSA B45.4

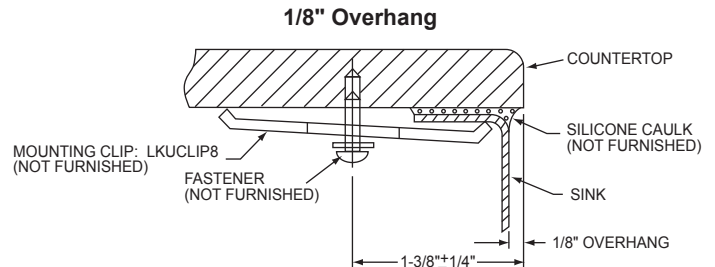
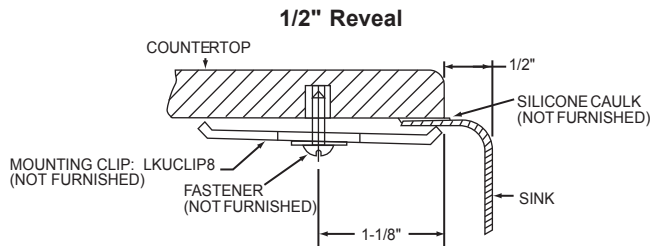


Sinks are listed by IAPMO[®] as meeting the applicable requirements of the Uniform Plumbing Code[®], International Plumbing Code[®], and National Plumbing Code of Canada.



Model DXUH3119L

Electronic Dual Template Mounting Option
(Download DXF File from www.elkaypro.com)



In keeping with our policy of continuing product improvement, Elkay reserves the right to change product specifications without notice. Please visit elkayusa.com for most current version of Elkay product specification sheets.

This specification describes an Elkay product with design, quality and functional benefits to the user. When making a comparison of other producers' offerings, be certain these features are not overlooked.

DAYTON[®]

SPECIFICATIONS

Dayton[®] Undermount Double Bowl Sink Model DXUH3119 Series

SINK DIMENSIONS (INCHES)*

Model Number	Overall		Inside Left Bowl			Inside Right Bowl			Minimum Cabinet Size
	L	W	L	W	D	L	W	D	
DXUH3119L	31 1/4 (794mm)	20 (508mm)	11 1/2 (292mm)	15 (381mm)	8 (203mm)	16 (406mm)	17 1/2 (445mm)	8 (203mm)	36 (914 mm)
DXUH3119R	31 1/4 (794mm)	20 (508mm)	16 (406mm)	17 1/2 (445mm)	8 (203mm)	11 1/2 (292mm)	15 (381mm)	8 (203mm)	36 (914 mm)

*Length is left to right. Width is front to back.

