

**No Lead Two-Level Drinking Fountain Soft Sides®
Wall Mount-Fully Exposed with Wall Plate
Barrier-Free Access Model EDFP217C**



SPECIFICATIONS

GENERAL

Two-level wall mounted drinking fountain constructed of #18 gauge, type 304, stainless steel polished to a lustrous satin finish.

Contoured basin minimizes splashing and has exclusive Flexi-Guard® safety bubbler to prevent accidental mouth injuries. Keyed in location to prevent rotation. Easy to operate, fully functional push-buttons are vandal-resistant. Vandal-resistant bottom cover plates included. Patented* valve and in-line flow regulator provides stream from 20 to 105 psi.

THIS DRINKING FOUNTAIN COMPLIES WITH THE REQUIREMENTS OF A.D.A. (AMERICANS WITH DISABILITIES ACT) WHEN PROPERLY INSTALLED. UNIT IS COMPLIANT IF INSTALLED IN AN ALCOVE AND IS ALSO COMPLIANT WHEN MOUNTED ON AN EXPOSED WALL IF A WING WALL IS LOCATED ON THE LEFT SIDE OR IF A 97258C APRON IS INSTALLED UNDER THE UPPER UNIT.

NO LEAD DESIGN

THIS DRINKING FOUNTAIN COMPLIES WITH THE LEAD-FREE DEFINITION IN THE SAFE DRINKING WATER ACT OF 1986 AND LEAD CONTAMINATION CONTROL ACT OF 1988.

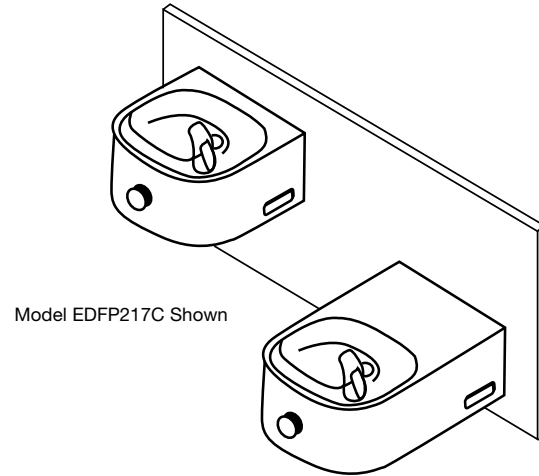
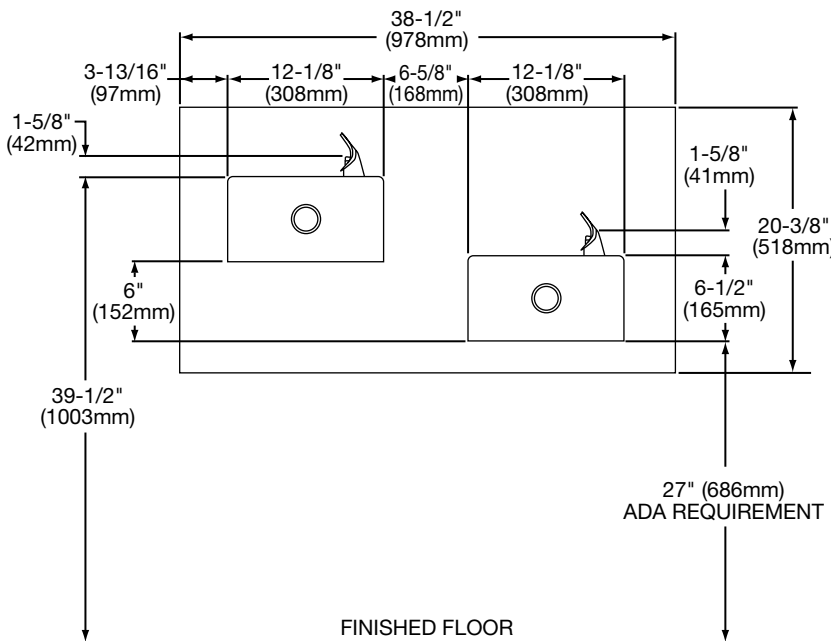
Elkay Drinking Fountains are manufactured with a waterway system utilizing copper components and completely lead-free material. These waterways have no lead because all leaded materials, such as leaded brass, have been removed.



This drinking fountain is classified by Underwriters Laboratories Inc. in accordance with **ANSI/NSF61, Section 9-1997b.**

CONSTRUCTION

EDFP217C furnished complete with Flexi-Guard®, fully assembled front push-buttons, patented* valve and in-line flow regulator (20 to 105 p.s.i.), and LK464 drain, trap assemblies and vandal-resistant bottom cover plates.



Model EDFP217C Shown

ALSO AVAILABLE

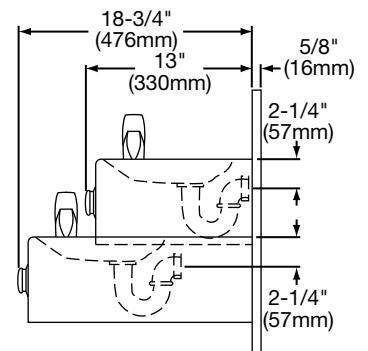
Model EDFPVR217C: Includes vandal-resistant bubblers. Heavy-duty, one-piece construction, chrome plated brass.

Model EDFP217FC: Plumbed for use with glass filler. Long fountain arm only. LK1110 or LK1114 sold separate.

Model EDFP217FPC: Freeze-resistant model with boxes (see separate specification sheet).

ACCESSORIES

MP20 Surface Mounting Plate is available as an optional accessory. (See separate specification sheet.)



* Patent #4,481,971

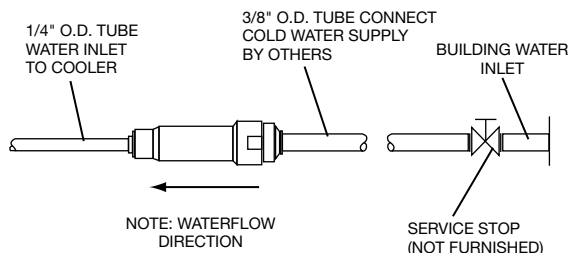
In keeping with our policy of continuing product improvement, Elkay reserves the right to change product specifications without notice.

This specification describes an Elkay product with design, quality and functional benefits to the user. When making a comparison of other producers' offerings, be certain these features are not overlooked.

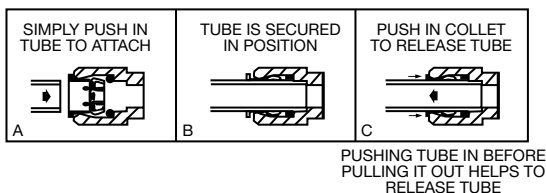
ROUGH-IN DIMENSIONS

INSTALLER NOTE

THIS DRINKING FOUNTAIN IS FURNISHED WITH A BUBBLER AND VALVE INCLUDING ALL CONNECTING FITTINGS WHICH ARE MANUFACTURED OF COMPLETELY LEAD FREE MATERIAL. IT IS RECOMMENDED THAT SHUT OFF VALVE AND SUPPLY TUBING SUPPLIED BY OTHERS BE NON-METALLIC.



OPERATION OF QUICK CONNECT FITTINGS



NOTE: When using MP20 Surface Mounting Plate, remove the wall hanger and back panel channels. See separate specification sheet for details on MP20 Surface Mounting Plate.

NOTE: Reinforce the wall in the shaded areas to support up to 300 lbs. static load.

WALL ROUGH-IN

