

ELKAY® SPECIFICATIONS

No Lead Two-Level Drinking Fountain Soft Sides® Wall Mount – Fully Exposed with Wall Plate Barrier-Free Access Model EDFPVR217RC

GENERAL

With a contemporary look and smooth, rounded lines, this two-level, wall mounted drinking fountain is constructed of a premium composite, solid surface material with a white granite finish. Contoured basin minimizes splashing and includes heavy duty, one-piece construction vandal-resistant bubblers which are keyed in location to prevent rotation. Easy to operate, fully functional push-buttons are vandal-resistant. Vandal-resistant bottom cover plates included. Patented* valve and in-line flow regulator provides stream from 20 to 105 psi.

THIS DRINKING FOUNTAIN COMPLIES WITH THE REQUIREMENTS OF A.D.A. (AMERICANS WITH DISABILITIES ACT) WHEN PROPERLY INSTALLED.

NO LEAD DESIGN

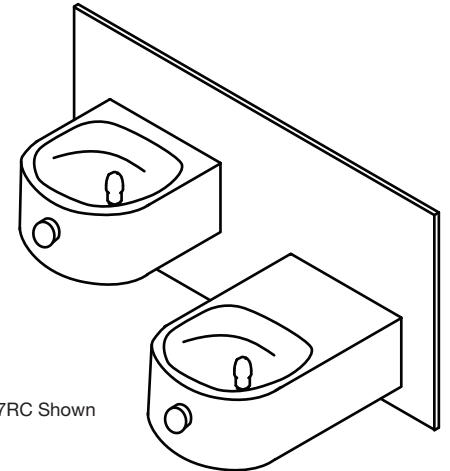
THIS DRINKING FOUNTAIN COMPLIES WITH THE LEAD-FREE DEFINITION IN THE SAFE DRINKING WATER ACT OF 1986 AND LEAD CONTAMINATION CONTROL ACT OF 1988.

Elkay Drinking Fountains are manufactured with a waterway system utilizing copper components and completely lead-free material. These waterways have no lead because all leaded materials, such as leaded brass, have been removed.

This drinking fountain is classified to **NSF/ANSI 61**.

CONSTRUCTION

EDFPVR217RC furnished complete with one-piece construction, vandal-resistant bubblers, fully assembled front push-buttons, patented* valve and in-line flow regulator (20 to 105 p.s.i.), LK464 drain, trap assemblies and vandal-resistant bottom cover plates.

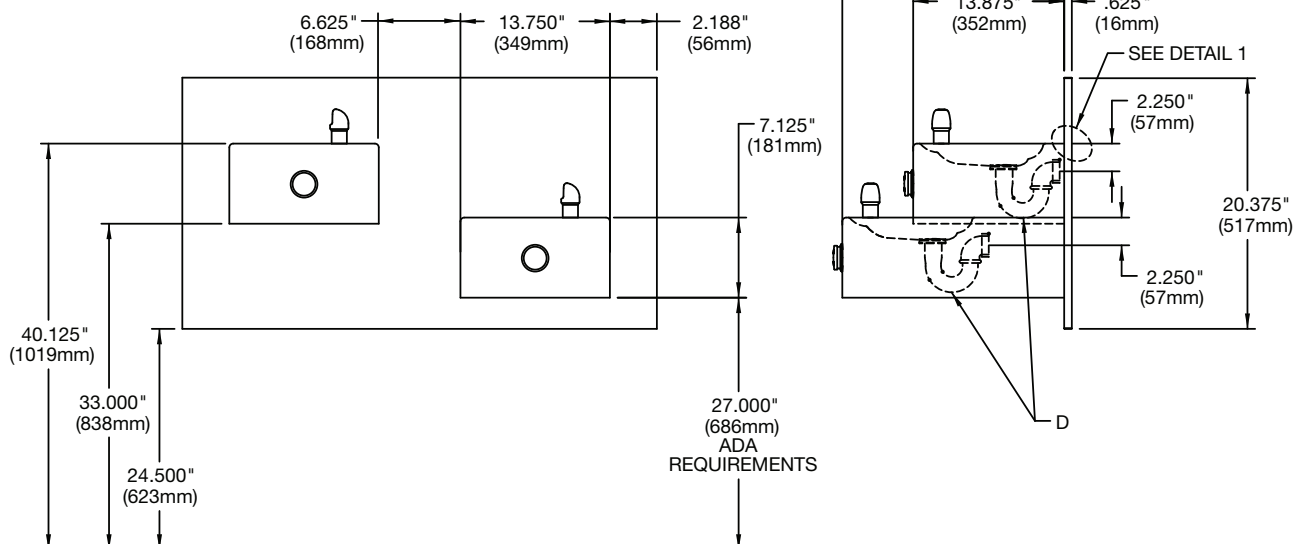
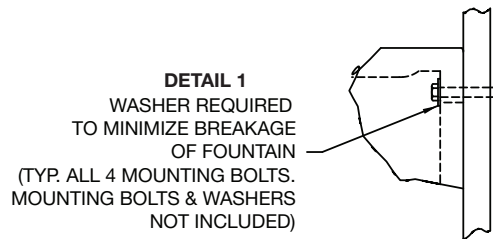


Model EDFPVR217RC Shown

ACCESSORIES

MPW200 In-Wall Mounting Plate.

ML100 In-Wall Support Legs – must be used with MPW200 in-wall mounting plate.



*Patent #4,481,971

In keeping with our policy of continuing product improvement, Elkay reserves the right to change product specifications without notice.

This specification describes an Elkay product with design, quality and functional benefits to the user. When making a comparison of other producers' offerings, be certain these features are not overlooked.

Elkay

elkayusa.com

2222 Camden Court
Oak Brook, IL 60523

Printed in U.S.A.
©2008 Elkay

(4/08)

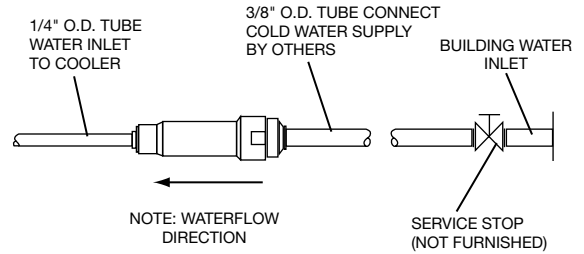
14-52

**No Lead Two-Level Drinking Fountain Soft Sides®
Wall Mount – Fully Exposed with Wall Plate
Barrier-Free Access Model EDFPVR217RC**

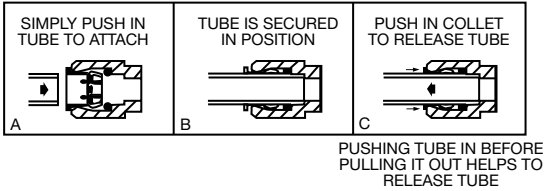
**ELKAY®
SPECIFICATIONS**

INSTALLER NOTE

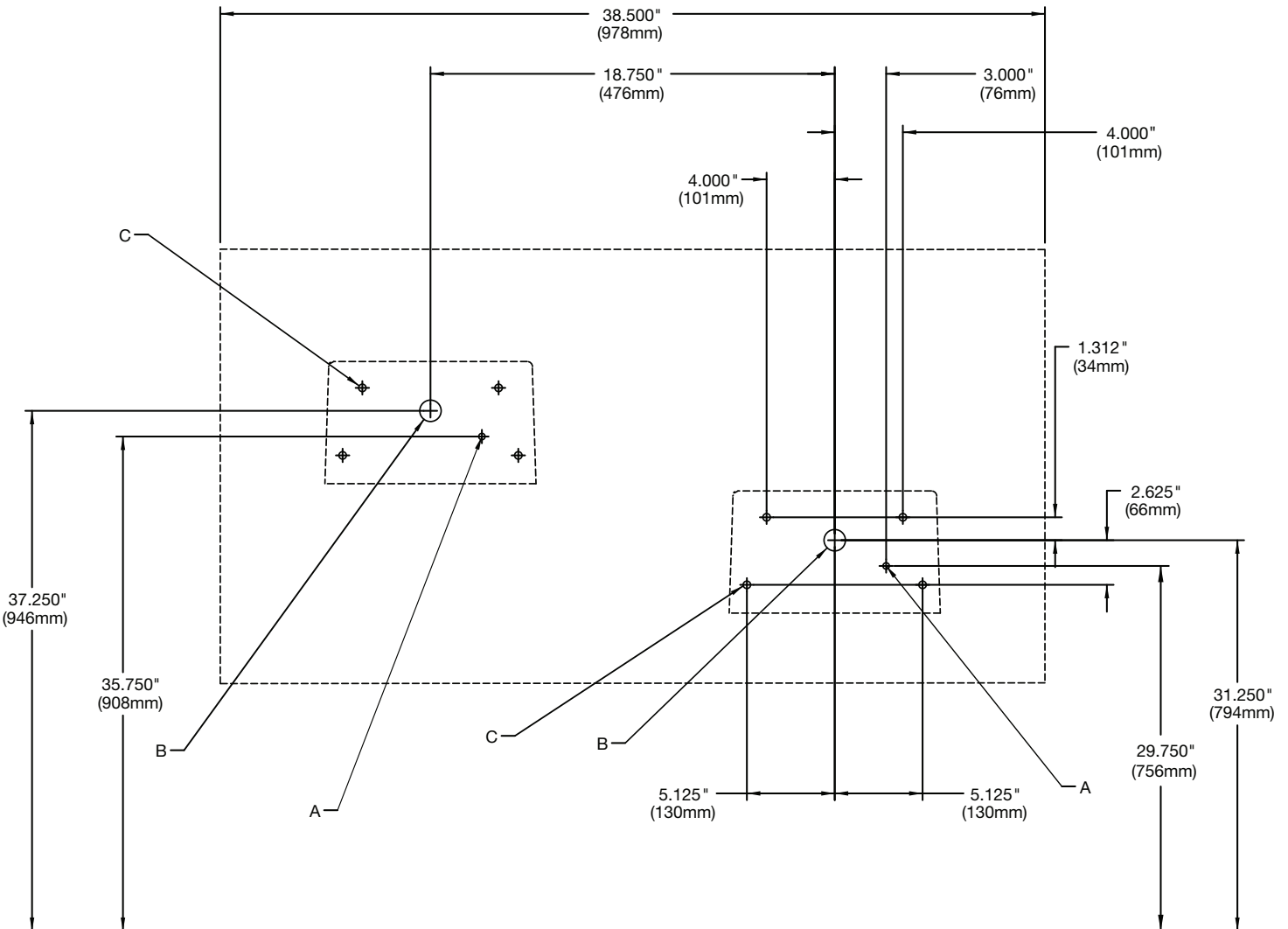
THIS DRINKING FOUNTAIN IS FURNISHED WITH A BUBBLER AND VALVE INCLUDING ALL CONNECTING FITTINGS WHICH ARE MANUFACTURED OF COMPLETELY LEAD FREE MATERIAL. IT IS RECOMMENDED THAT SHUT OFF VALVE AND SUPPLY TUBING SUPPLIED BY OTHERS BE NON-METALLIC.



OPERATION OF QUICK CONNECT FITTINGS



WALL ROUGH-IN



LEGEND:

- A = 7/8" DIA. (22mm) HOLE FOR WATER SUPPLY
- B = 1-3/4" DIA. (44mm) HOLE FOR WASTE LINE
- C = 1/2" DIA. (13mm) CLEARANCE HOLE FOR MOUNTING