

**No Lead Simulated Semi-Recessed Drinking Fountain, Wall Mount – Fully Exposed Barrier-Free Access Model EDFP19C**



**SPECIFICATIONS**

**GENERAL**

Wall mounted drinking fountain constructed of #20 gauge, type 304, stainless steel polished to a lustrous satin finish.

Contoured basin minimizes splashing and has exclusive Flexi-Guard® safety bubbler to prevent accidental mouth injuries. Keyed in location to prevent rotation. Easy to operate, fully functional, stainless steel front push bar is vandal-resistant with raised letters to aid the visually impaired. Patented\* valve and in-line flow regulator provides stream from 20 to 105 psi. Vandal-resistant bottom cover plate.

**THIS DRINKING FOUNTAIN COMPLIES WITH THE REQUIREMENTS OF A.D.A. (AMERICANS WITH DISABILITIES ACT) PROVIDING THE FLOOR TO ORIFICE IS 36" OR LESS AND PROPER CLEAR FLOOR SPACE IS PROVIDED. IF INSTALLED IN A RECESS, THE DEPTH OF RECESS CANNOT BE GREATER THAN THE 9-1/2" DEPTH OF THE FOUNTAIN.**

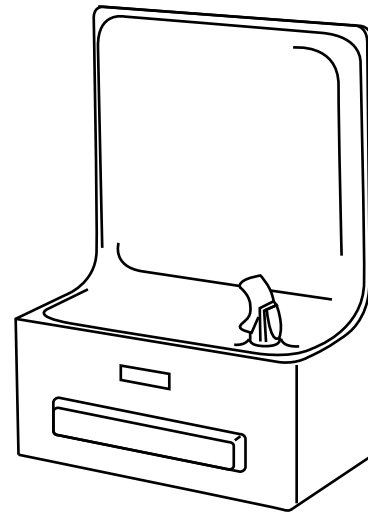
**NO LEAD DESIGN**

**THIS DRINKING FOUNTAIN COMPLIES WITH THE LEAD-FREE DEFINITION IN THE SAFE DRINKING WATER ACT OF 1986 AND LEAD CONTAMINATION CONTROL ACT OF 1988.**

Elkay Drinking Fountains are manufactured with a waterway system utilizing copper components and completely lead-free material. These waterways have no lead because all leaded materials, such as leaded brass, have been removed.



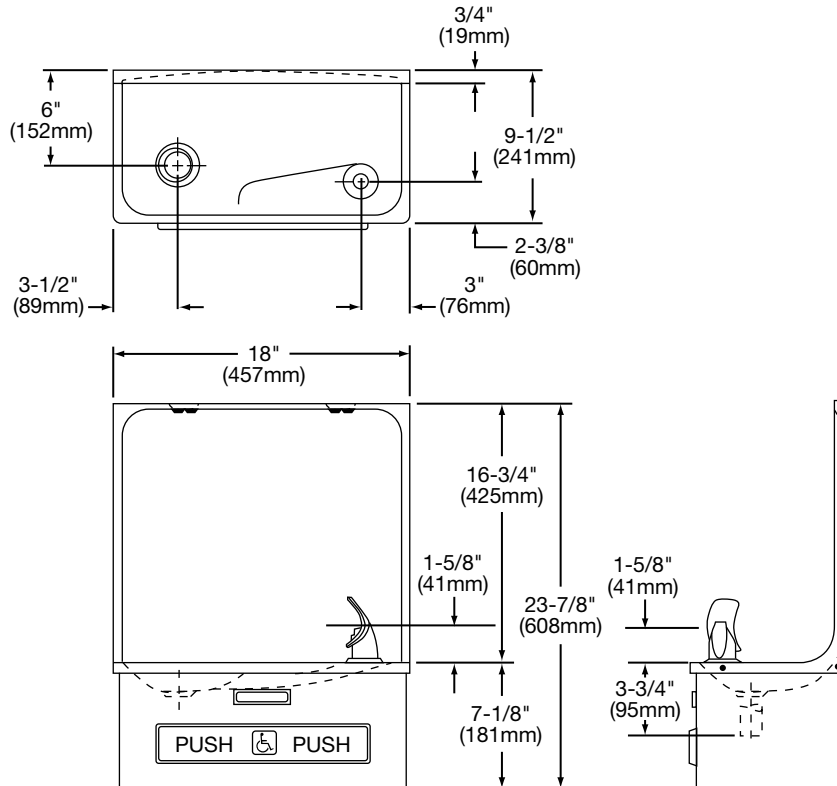
This drinking fountain is classified by Underwriters Laboratories Inc. in accordance with **ANSI/NSF61, Section 9-1997b.**



Model EDFP19C

**CONSTRUCTION**

Furnished complete with Flexi-Guard®, fully assembled front push bar, patented\* valve and in-line flow regulator (20 to 105 p.s.i.), bottom cover plate and domed strainer. No trap furnished.



\* Patent #4,481,971

*In keeping with our policy of continuing product improvement, Elkay reserves the right to change product specifications without notice.*

**No Lead Simulated Semi-Recessed Drinking Fountain, Wall Mount - Fully Exposed Barrier-Free Access Model EDFP19C**

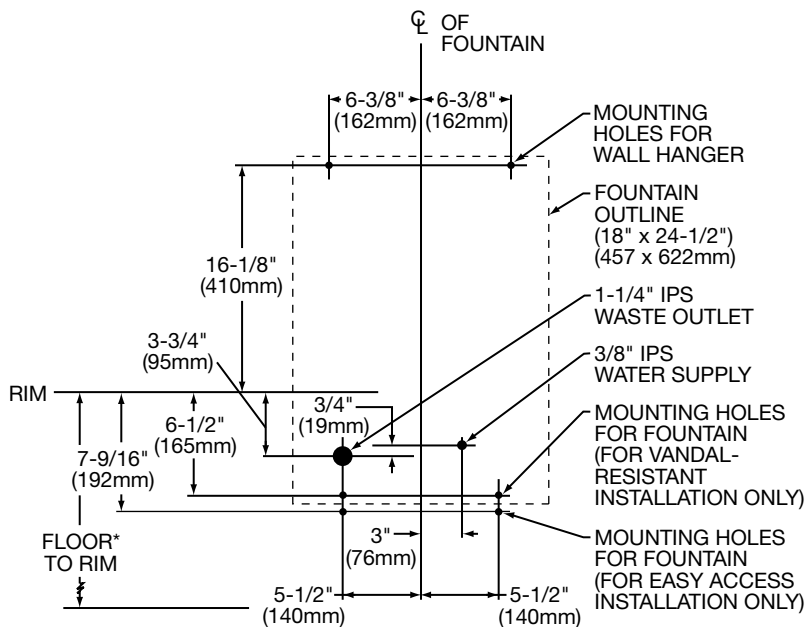
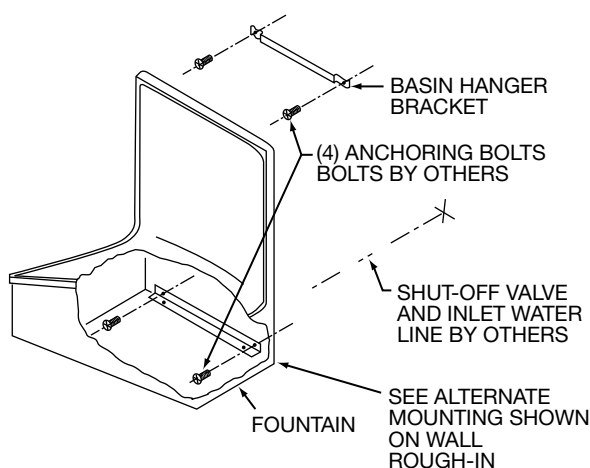
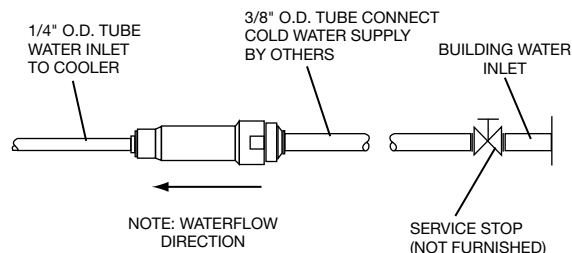
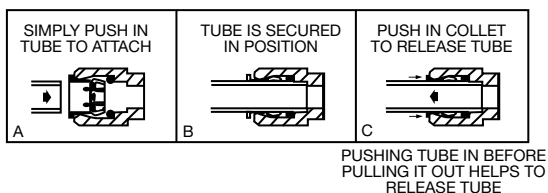


**ROUGH-IN DIMENSIONS**

**INSTALLER NOTE**

THIS DRINKING FOUNTAIN IS FURNISHED WITH A BUBBLER AND VALVE INCLUDING ALL CONNECTING FITTINGS WHICH ARE MANUFACTURED OF COMPLETELY LEAD FREE MATERIAL. IT IS RECOMMENDED THAT SHUT OFF VALVE AND SUPPLY TUBING SUPPLIED BY OTHERS BE NON-METALLIC.

**OPERATION OF QUICK CONNECT FITTINGS**



**WALL ROUGH-IN**

\*34-1/8" (823mm) RECOMMENDED HEIGHT FROM FLOOR TO PROVIDE 27" CLEARANCE FROM FLOOR TO UNDERSIDE.