

**PRODUCT SPECIFICATIONS**

Harmony™ Copper Single Bowl Apron Front Undermount Sink. Overall dimensions are 33" x 22" x 10". Sink is hand fabricated from 16 gauge genuine, uncoated copper that will continue to age and tarnish naturally. Sink has Rear Center drain placement and Sides and Bottom sound dampening pads.

<b>Installation Type:</b>	Apron Front, Undermount
<b>Material:</b>	Copper
<b>Finish:</b>	Antique Hammered
<b>Gauge:</b>	16
<b>Sound Dampening Pads:</b>	Sides and Bottom
<b>Number of Bowls:</b>	1
<b>Sink Dimensions:</b>	33" x 22" x 10"
<b>Bowl 1 Dimensions:</b>	29" x 18" x 10"
<b>Drain Size:</b>	3-1/2" (89mm)
<b>Drain Location:</b>	Rear Center
<b>Minimum Cabinet Size:</b>	36"
<b>Mounting Hardware:</b>	Undermount brackets sold separately

**Installation Profile:**

Due to the size and installation method, a custom cabinet is required. Recommend that installation be accomplished by an experienced and professional installer only. Use actual sink as template to determine cut-out opening.

All Elkay undermount sinks are designed to affix to the underside of any solid surface countertop.

**OPTIONAL ACCESSORIES**

<b>Drain:</b>	LK35AC
<b>Faucet:</b>	LK9102, LK9101
<b>Hardware:</b>	LKUCLIP8



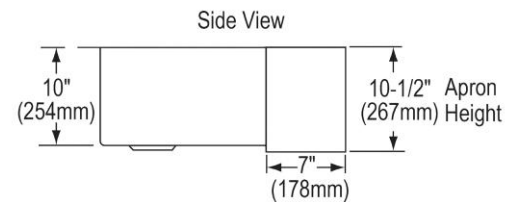
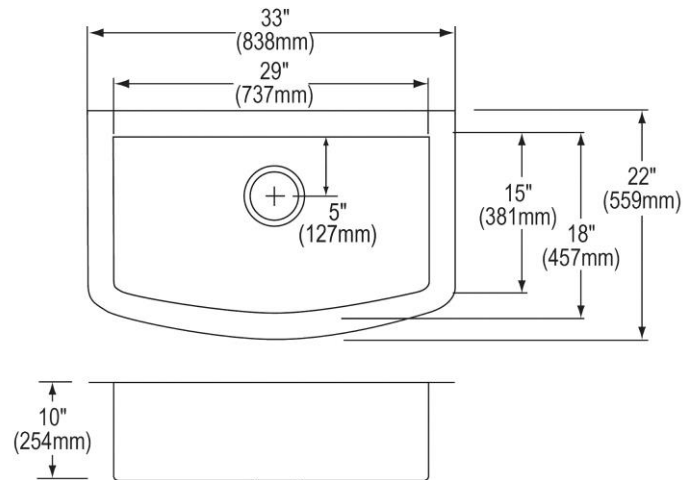
AMERICAN PRIDE. A LIFETIME TRADITION. Like your family, the Elkay family has values and traditions that endure. For almost a century, Elkay has been a family-owned and operated company, providing thousands of jobs that support our families and communities.

**Product Compliance:** CSA B45.12/IAPMO Z402

[Clean and Care Manual \(PDF\)](#)

[Installation Instructions \(PDF\)](#)

[Limited Lifetime Warranty \(PDF\)](#)



PART: \_\_\_\_\_ QTY: \_\_\_\_\_

PROJECT: \_\_\_\_\_

CONTACT: \_\_\_\_\_

DATE: \_\_\_\_\_

NOTES: \_\_\_\_\_

APPROVAL: \_\_\_\_\_

*In keeping with our policy of continuing product improvement, Elkay reserves the right to change product specifications without notice. Please visit [elkay.com](http://elkay.com) for the most current version of Elkay product specification sheets. This specification describes an Elkay product with design, quality, and functional benefits to the user. When making a comparison of other producers' offerings, be certain these features are not overlooked.*