

**Dual Handle Hospitality Faucet
Model LKD2223C****FEATURES**

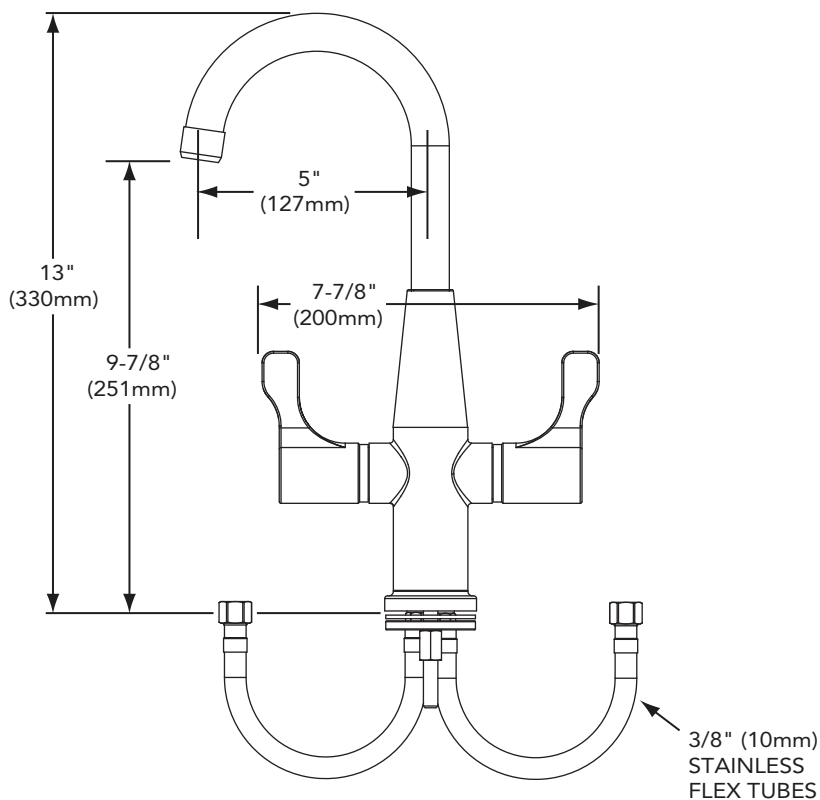
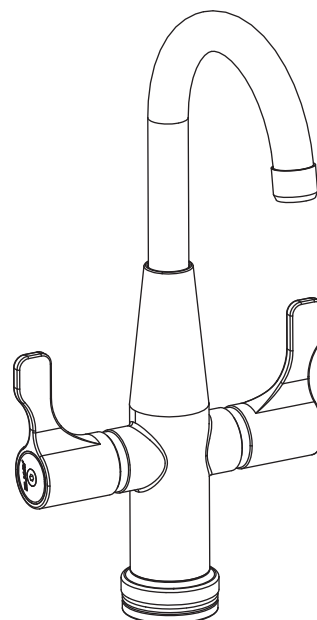
- Single hole top mount installation
 - 1-1/2" (38mm) faucet hole required
 - Maximum countertop thickness 1-1/8" (29mm)
- Dual handle faucet
- 360° gooseneck swing spout
- Removable cartridge
- Solid brass construction
- 3/8" (10mm) compression stainless steel flex hoses
- Highly polished, chrome plated finish
- Ship Wt. 6 lbs. (2.7Kg)
- Maximum flow rate
 - 2.5 GPM/9.5 L/min at 80 P.S.I.G.
 - 2.2 GPM/8.3 L/min at 60 P.S.I.G.

WARRANTY

- Limited Lifetime

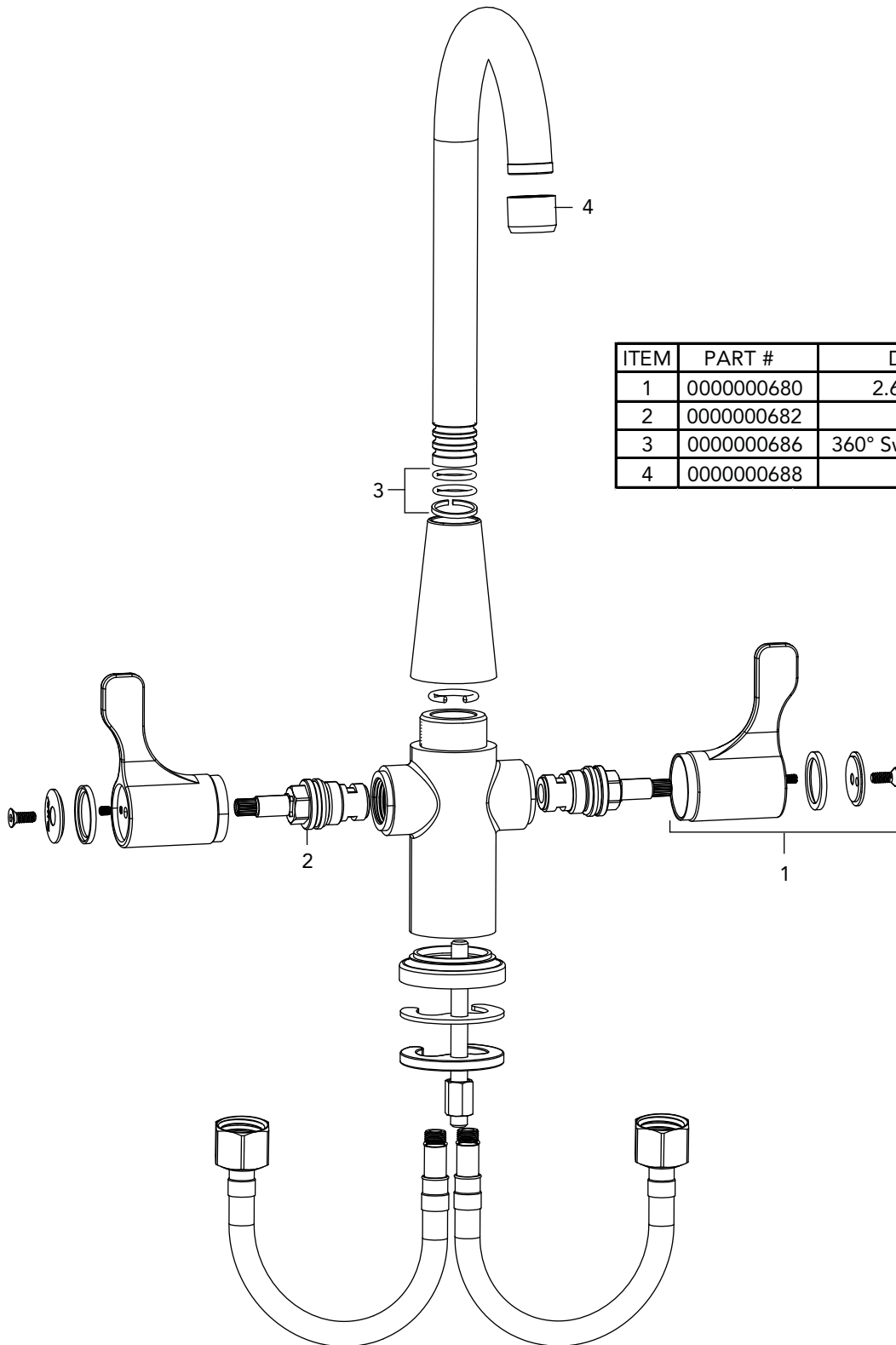
COMPLIES WITH:

- ADA
- ANSI/NSF61 - Certified
- ASME 112.18.1/CSA B125.1
- CA AB1953/VT S152



SEE OTHER SIDE FOR REPLACEMENT PARTS

**Dual Handle Hospitality Faucet
Model LKD2223C**



ITEM	PART #	DESCRIPTION
1	0000000680	2.6" Blade Handle
2	0000000682	Cartridges
3	0000000686	360° Swing Spout Repair Kit
4	0000000688	Aerator